



LED MR16

6.5MR16/F35/2700-2200 DIM 12V

Philips LED MR-16 lamps with single optic technology provide the look and color quality of traditional halogens while using a fraction of the energy. A perfect fit for spot lighting, they are compatible with most existing fixtures with MR16 GU5.3 holders and are designed as a retrofit replacement for halogen or incandescent spots.

Product data

General information	
Base	GU5.3 [GU5.3]
EU RoHS compliant	Yes
Nominal Lifetime (Nom)	25000 h
Switching Cycle	50000X
Light technical	
Color Code	822-827 [tunable warm white]
Beam Angle (Nom)	35°
Initial lumen (Nom)	455 lm
Luminous Intensity (Nom)	950 cd
Color Designation	Warm Glow(WG)
Correlated Color Temperature (Nom)	2200 2700 K
Luminous Efficacy (rated) (Nom)	70.00 lm/W
Color Consistency	<6
Color Rendering Index (Nom)	80
LLMF At End Of Nominal Lifetime (Nom)	70 %
Operating and electrical	
Input Frequency	- Hz
Power (Rated) (Nom)	6.5 W
Lamp Current (Nom)	690 mA

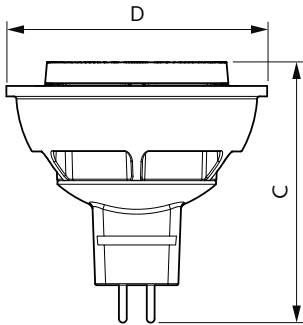
Wattage Equivalent	35 W
Starting Time (Nom)	0.5 s
Warm Up Time to 60% Light (Nom)	0.5 s
Power Factor (Nom)	0.7
Voltage (Nom)	ac electronic 12 V
Temperature	
T-Case Maximum (Nom)	80 °C
Controls and dimming	
Dimmable	Only with specific dimmers
Mechanical and housing	
Bulb Shape	MR16 [2inch/50mm]
Approval and application	
Suitable For Accent Lighting	Yes
Product data	
Order product name	6.5MR16/F35/2700-2200 DIM 12V
EAN/UPC - Product	046677574413
Order code	574418

LED MR16

Numerator - Quantity Per Pack	1
Numerator - Packs per outer box	10
Material Nr. (12NC)	929003087204

Net Weight (Piece)	0.052 kg
--------------------	----------

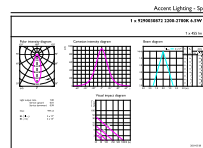
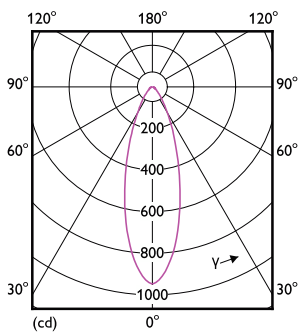
Dimensional drawing



6.5MR16/F35/2700-2200 DIM 12V

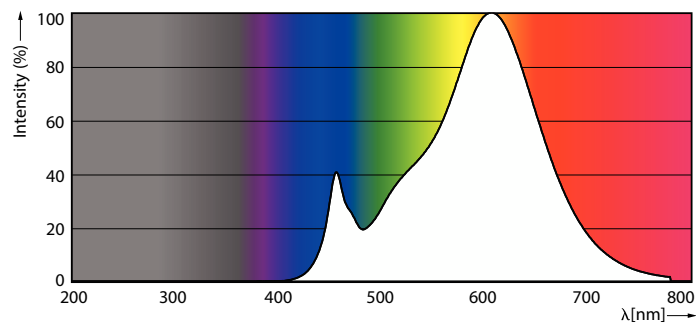
Product	D	C
6.5MR16/F35/2700-2200 DIM 12V	51 mm	50.5 mm

Photometric data



LEDspots DIM IC 6,5W MR16 GU5,3 827 35D-LDD

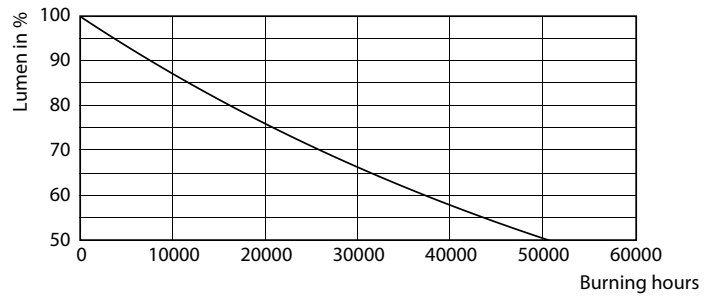
LEDspots DIM IC 6,5W MR16 GU5,3 827 35D-ADL



LEDspots DIM IC 6,5W MR16 GU5,3 827 35D-POC

LED MR16

Lifetime



LEDspots LED 25K

LEDspots LMP 25K

