



LED MR16

7.8MR16/PER/930/F25/Dim/EC/12V 10/1FB

Philips LED MR-16 lamps with single optic technology provide the look and color quality of traditional halogens while using a fraction of the energy. A perfect fit for spot lighting, they are compatible with most existing fixtures with MR16 GU5.3 holders and are designed as a retrofit replacement for halogen or incandescent spots.

Product data

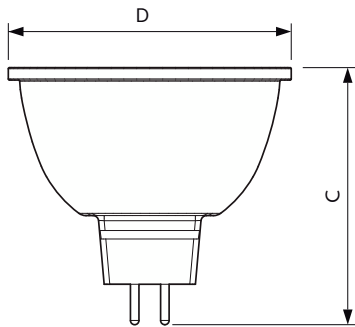
General Information		Wattage Equivalent	
Base	GU5.3 [GU5.3]	Wattage Equivalent	50 W
EU RoHS compliant	Yes	Starting Time (Nom)	0.5 s
Nominal Lifetime (Nom)	25000 h	Warm Up Time to 60% Light (Nom)	0.5 s
Switching Cycle	50000X	Power Factor (Nom)	0.7
		Voltage (Nom)	ac electronic 12 V
Light Technical		Temperature	
Color Code	930 [CCT of 3000K]	T-Case Maximum (Nom)	93 °C
Beam Angle (Nom)	25 °		
Initial lumen (Nom)	480 lm	Controls and Dimming	
Luminous Intensity (Nom)	2330 cd	Dimmable	Only with specific dimmers
Color Designation	White (WH)		
Correlated Color Temperature (Nom)	3000 K	Mechanical and Housing	
Luminous Efficacy (rated) (Nom)	61.00 lm/W	Bulb Shape	MR16 [2inch/50mm]
Color Consistency	<3		
Color Rendering Index (Nom)	95	Approval and Application	
LLMF At End Of Nominal Lifetime (Nom)	70 %	Suitable For Accent Lighting	Yes
Operating and Electrical		Product Data	
Input Frequency	- Hz	Order product name	7.8MR16/PER/930/F25/Dim/EC/12V 10/1FB
Power (Rated) (Nom)	7.8 W	EAN/UPC - Product	046677573614
Lamp Current (Nom)	720 mA	Order code	573618

LED MR16

Numerator - Quantity Per Pack	1
Numerator - Packs per outer box	10
Material Nr. (12NC)	929003081104

Net Weight (Piece)	0.052 kg
--------------------	----------

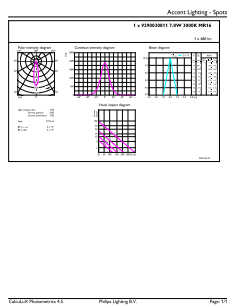
Dimensional drawing



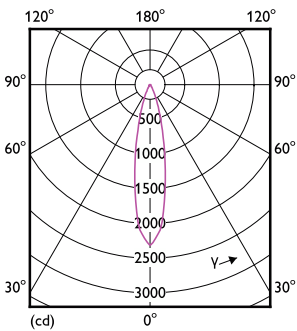
7.8MR16/PER/930/F25/Dim/EC/12V 10/1FB

Product	D	C
7.8MR16/PER/930/F25/Dim/EC/12V 10/1FB	50.5 mm	46 mm

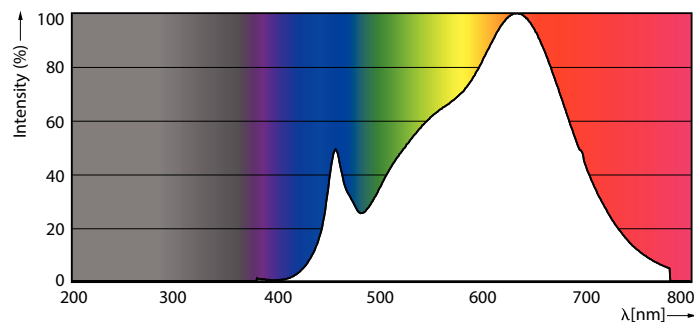
Photometric data



LEDspots DIM IC 7,8W MR16 GU5,3 930 25D-ADL



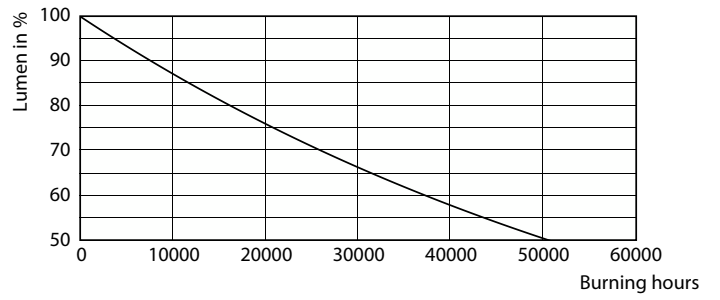
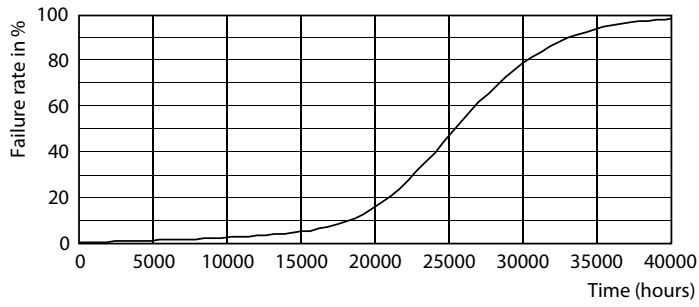
LEDspots DIM IC 7,8W MR16 GU5,3 927 25D-LDD



LEDspots DIM IC 7,8W MR16 GU5,3 930 10D-POC

LED MR16

Lifetime



LEDspots LED 25K

LEDspots LMP 25K

