

# Core & Coil (71A) MH 175W - 450W

## CORE & COIL HID MH BAL 250W M138/M153 5-TAP KIT

The basic ballast is the open core and coil which is most often used as a component within a lighting luminaire. The core and coil also forms the nucleus of Philips Advance's five other ballast configurations.

### Product data

#### • General Information

ANSI Code	M138/M153
Lamp Type	250W MH
Number of Lamps	1 piece/unit
Circuit Type	SUPER-CWA
Ballast Type	Magnetic HID
Base Model	71A5752
Core Size	4 1/4 x 4 3/4 (2 coil)
Suitable For Outdoor Use	Yes
Ignitor Catalog Number	LI533-H4
Ignitor Temperature Rating	105°C
Capacitor Value	17 MFD
Capacitor Catalog Number	7C170P40
Capacitor Requirements	330V
Capacitor Temperature Rating	105°C
Capacitor Diameter/Oval Dimensions	1.75 in
Capacitor Height	3.75 in
Automatic Restart	No

#### • Operating and Electrical

Input Voltage	120/208/240/277/480 V
Input Frequency	60 Hz
Inp. Current (Open Circuit)	1.38/0.82/0.7/0.62/0.37 A
Input Current (Starting)	1.65/0.97/0.84/0.73/0.43 A
Input Current (Short Circuit)	1.28-1.92/0.75-1.12/0.64-0.97/0.56-0.84/0.32-0.49 A

Secondary Short Circuit Current	2.35-2.88 A
Constant Wattage Deviation	10%
Ballast Factor (Nom)	1
Power Factor (Nom)	0.90
Nominal Open Circuit Voltage	280 V
Input Current (Operating) (Nom)	2.37/1.39/1.18/1.03/0.6 A A
Input Power (Nom)	284 W
Rated Lamp Watts	250W W

#### • Wiring

Wire Striplength	0.5 mm
Wire Length By Color	12"
Wire Type	Stranded
Remote Wiring Configuration Allowed	Yes
Max Ballast-Lamp Distance Remote Wiring	2'
Recommended Fuse Value	8/5/5/3/2 A

#### • Approval and Application

Open Circuit Voltage Test (Volts)	254-308 V
Approbation Marks	ULR CSA certificate EISA RoHS Compliant

**PHILIPS**

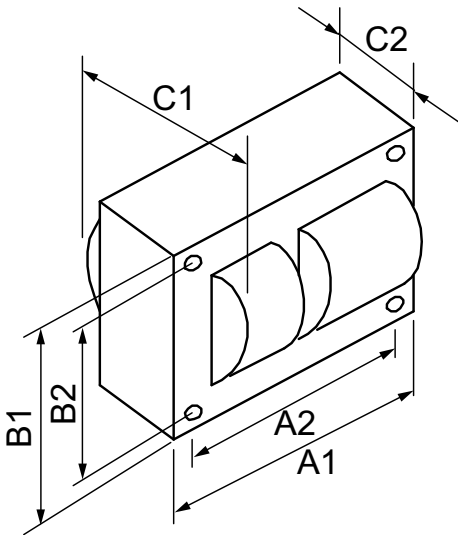
## Core & Coil (71A) MH 175W - 450W

Temperature Marking	A/A/A/A/A
UL Recognized	Yes
Hipot Test (1 Minute)	2000 V
Hipot Test (2 Seconds)	2500 V
UL Insulation Class	H(180°C)
UL Temperature Code	1029A

### • Product Data

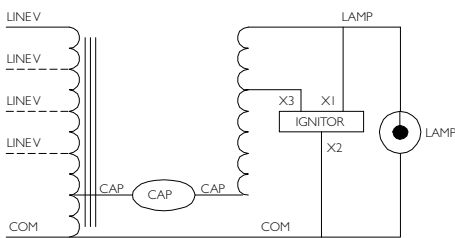
Order product name	CORE & COIL HID 71A5752001D
EAN/UPC - Product	781087123874
Order code	71A5752001D
Numerator - Quantity Per Pack	1
Numerator - Packs per outer box	1
Material Nr. (12NC)	913701122311
Net Weight (Piece)	5.203 kg

### Dimensional drawing



### MH BAL 250W M138/M153 5-TAP KIT

Product	C1	C2	A1	A2	B1	B2
CORE & COIL HID 71A5752001D	4 in	2.2 in	4.8 in	4.4 in	4.3 in	3.9 in



© 2016 Philips Lighting Holding B.V.  
All rights reserved.

Specifications are subject to change without notice. Trademarks are the property of Koninklijke Philips N.V. (Royal Philips) or their respective owners.

[www.philips.com/lighting](http://www.philips.com/lighting)

2016, February 1  
data subject to change