



Transformers

AUTO-TRANSFORMER AUTOXFMR 480:277 350VA
C&C

Stepdown transformers and autotransformers are used when you need to connect a lower voltage device to a higher voltage source.

PHILIPS

Product data

• General Characteristics

Line Voltage	347:190 or 480:270 V
Input Current (Operating)	1
Line Frequency	60 Hz
Circuit Type	Transformer
Ballast Type	Magnetic HID
Base Model	71A9843
Housing	NA
Housing Dimensions	NA
Housing Material	NA
Core Size	7/8" E/I
Suitable for Outdoor use?	Yes
Family Name	Transformer

• Wiring Characteristics

Wire Striplength	0.5 mm
Wire Length by Color	12"
Wire Type	Stranded
Allowed Wiring Config(Remote)	Yes

• System Chars on driver level

Rated Lamp Watts	350 VA load
------------------	-------------

• Product Dimensions

Length A1	2.6 in
Length A2	2.2 in
Width B1	2.2 in
Coil Depth C1	3.6 in
Stack Height C2	2.35 in
Width B2	1.8 in

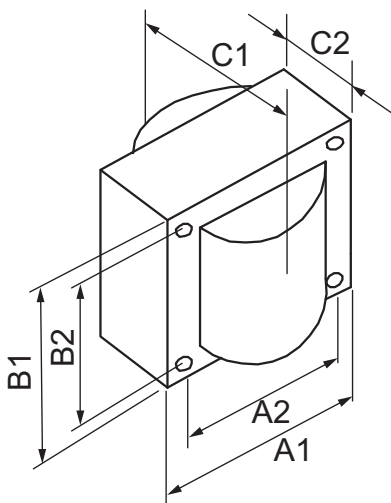
• Approval & Application Chars

Approbation Marks	ULR, CSA, RoHS
CE marking	No
VDE certificate	No
UL Listed	No
CSA certificate	Yes
CCC certificate	No
Chia Quality Certificate	No
Temperature marking	NA
CEC Listing	No
cUL certificate	No
EISA	No
ETL Certificate	No
FIDE Certificate	No
NOM certificate	No
RoHS Compliant	Yes
SASO Certificate	No
UL Recognized	Yes
UL Insulation Class	H(180°C)
UL Temperature Code	NA

• Product Data

Product number	71A9843600
Full product name	AUTOXFMR 480:277 350VA C&C
Short product name	AUTOXFMR 480:277 350VA C&C
Pieces per Sku	1
Skus/Case	16
Bar code on pack	781087069110
Bar code on case	50781087069115
Logistics code(s)	913710663402
eop_net_weight_pp	1.665 kg

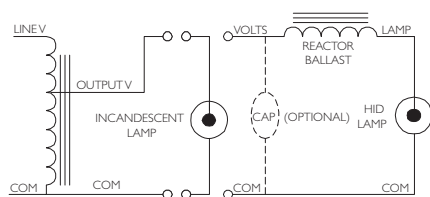
Dimensional drawing



AUTO-TRANSFORMER AUTOXFMR 480:277 350VA C&C

Product	A1 (Norm)	A2 (Norm)	B1 (Norm)	B2 (Norm)	C1 (Norm)	C2 (Norm)
AUTOXFMR 480:277 350VA C&C	2.6	2.2	2.2	1.8	3.6	2.35

Dimensional drawing



© 2014 Koninklijke Philips N.V. (Royal Philips)
All rights reserved.

Specifications are subject to change without notice. Trademarks are the property of Koninklijke Philips N.V. (Royal Philips) or their respective owners.

www.philips.com/lighting

2014, February 1
data subject to change