



LED PAR30 S/L

8.5PAR30S/LED/930/F25/DIM/GULW/T20 6/1FB

Philips LED spots with a single optic beam, provide a clean beam that's free from shadows with beam angles from 15 and 40 degrees to suit every general lighting application.

Product data

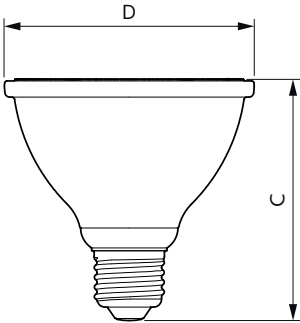
General Information	
Base	E26 [Single Contact Medium Screw]
EU RoHS compliant	Yes
Nominal Lifetime (Nom)	25000 h
Switching Cycle	25000X
Light Technical	
Color Code	930 [CCT of 3000K]
Beam Angle (Nom)	25 °
Initial lumen (Nom)	850 lm
Luminous Intensity (Nom)	3300 cd
Color Designation	White (WH)
Correlated Color Temperature (Nom)	3000 K
Luminous Efficacy (rated) (Nom)	100.00 lm/W
Color Consistency	<4
Color Rendering Index (Nom)	90
LLMF At End Of Nominal Lifetime (Nom)	70 %
Operating and Electrical	
Input Frequency	50 to 60 Hz
Power (Rated) (Nom)	8.5 W
Lamp Current (Nom)	80 mA
Wattage Equivalent	75 W
Starting Time (Nom)	0.5 s

Warm Up Time to 60% Light (Nom)	0.5 s
Power Factor (Nom)	0.9
Voltage (Nom)	120 V
Temperature	
T-Case Maximum (Nom)	70 °C
Controls and Dimming	
Dimmable	Only with specific dimmers
Mechanical and Housing	
Bulb Shape	PAR30S [PAR 3.75 inch/95mm Short]
Approval and Application	
Suitable For Accent Lighting	Yes
Product Data	
Order product name	8.5PAR30S/LED/930/F25/DIM/GULW/T20 6/1FB
EAN/UPC - Product	046677568016
Order code	568014
Numerator - Quantity Per Pack	1
Numerator - Packs per outer box	6
Material Nr. (12NC)	929003027804

LED PAR30 S/L

Net Weight (Piece) 0.220 kg

Dimensional drawing

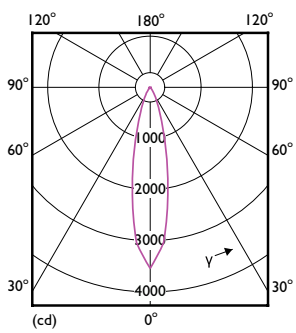


JA8 PAR30s 75W 850lm 25D 3000K E26 D

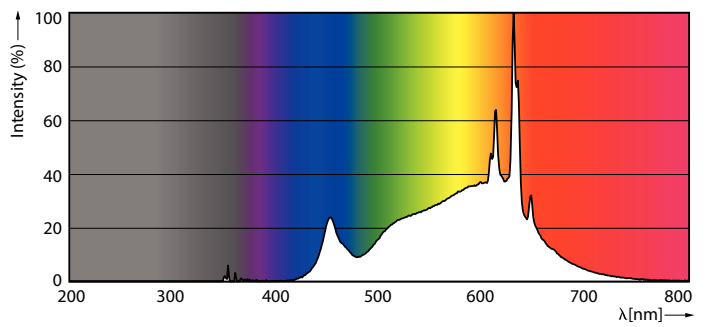
Product

8.5PAR30S/LED/930/F25/DIM/GULW/T20 6/1FB

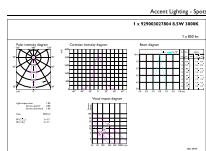
Photometric data



LEDspots N DIM 8,5W PAR30S E26 930 25D-LDD



LEDspots N DIM 8,5W PAR30L E26 930 25D-POC



Technical Information 1.1 | 10/10/2021 | Page 11

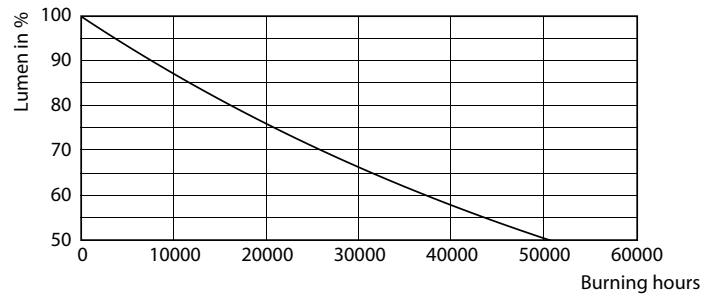
LEDspots N DIM 8,5W PAR30S E26 930 25D 1-ADL

LED PAR30 S/L

Lifetime



LEDspots LED 25K



LEDspots LMP 25K

