



KT-PLED40-14-8XX-VDIM-P

LED PANEL LIGHT

DESCRIPTION

1'x4' LED panel light, 40W family, 120-277V input, 0-10V dimming



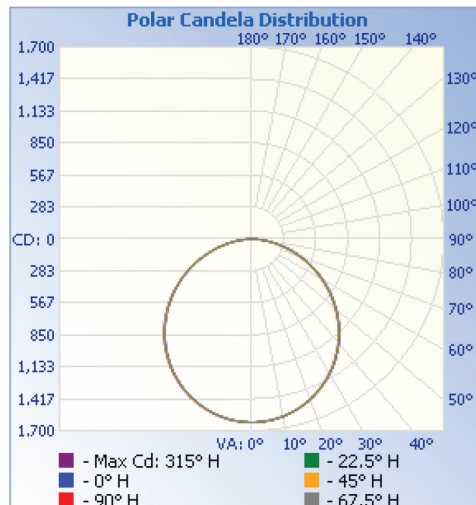
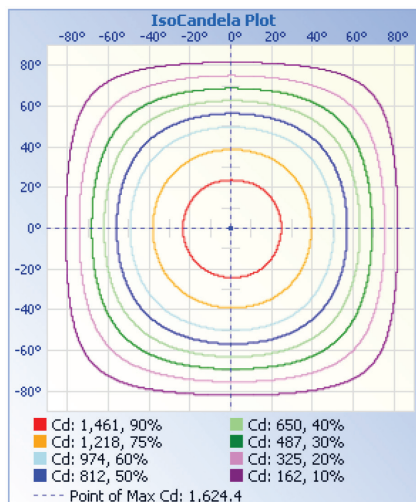
PRODUCT FEATURES

- Low profile architectural grade design
- Fits standard T-grid ceilings
- Suitable for surface or suspension mount with optional accessories
- High quality laser etched PMMA resin light guide plate offers optimal light diffusion with no risk of yellowing over product lifetime
- Powered by Keystone 0-10V dimming LED driver with built-in junction box
- Compatible with Keystone SmartSafe emergency LED drivers; KT-EMRG-LED-5-500-EN /DF or KT-EMRG-LED-12-1200-EN /DF are optimal for fixture level installation; mounting kit KT-PLED-EM-BR-KIT required (sold separately)
- 60,000 hour rated life
- Over 50% energy savings as compared to traditional fluorescent troffers
- LED color binning within 4 SDCM ensures supreme color consistency between all panels
- Operating temperature range: -20°C/-4°F to 40°C/104°F
- Suitable for damp locations
- Listed on DLC QPL, Premium
- Terminal box on driver accepts 14-22AWG

PERFORMANCE SPECIFICATIONS

Catalog Number	Input Voltage	Wattage	Color Temperature	Lumen Output	CRI	Power Factor	Efficacy	Lifetime
KT-PLED40-14-835-VDIM-P	120-277V	40W	3500K	4,950	>82.4	>0.9	124 lm/W	60,000 Hours
KT-PLED40-14-840-VDIM-P	120-277V	40W	4000K	5,000	>82.4	>0.9	125 lm/W	60,000 Hours
KT-PLED40-14-850-VDIM-P	120-277V	40W	5000K	5,050	>82.4	>0.9	126 lm/W	60,000 Hours

PHOTOMETRIC SPECIFICATIONS



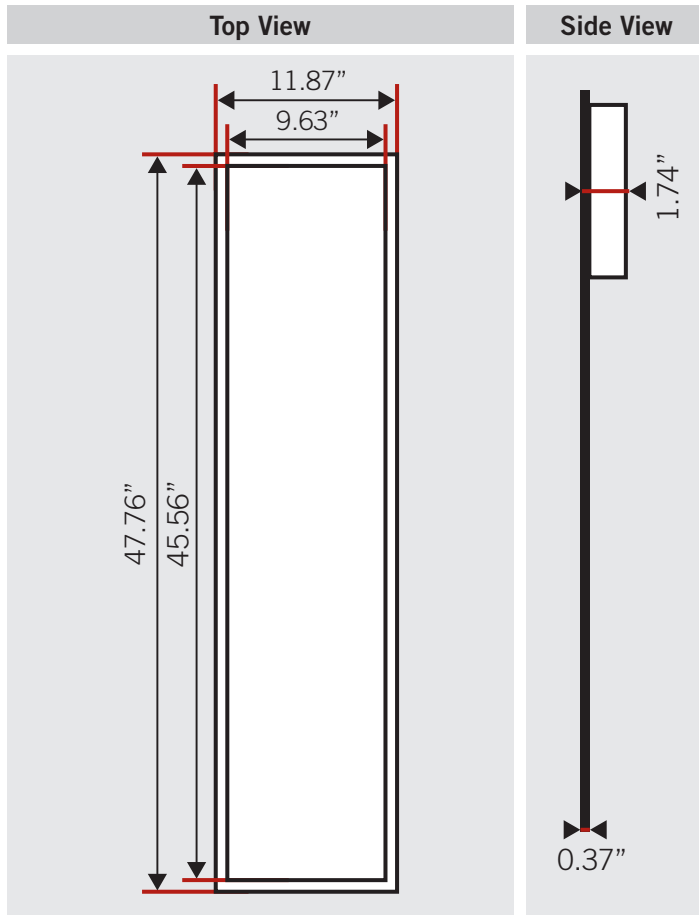
Zonal Lumen Summary		
Zone	Lumens	% Luminaire
0-30	1,262.0	26.8%
0-40	2,069.1	44%
0-60	3,668.8	78.1%
60-90	1,030.1	21.9%
70-100	445.4	9.5%
90-120	0.3	0%
0-90	4,698.9	100%
90-180	1.4	0%
0-180	4,700.3	100%



KT-PLED40-14-8XX-VDIM-P

LED PANEL LIGHT

PHYSICAL SPECIFICATIONS



WEIGHT INFORMATION

1 Piece	1 Carton
7.94 lbs	18.41 lbs

ACCESSORIES (SOLD SEPARATELY)

Accessory	Catalog Number	Description
Cable Hanging Kit	KT-PLED-CABLE-KIT	Cable hanging kit for LED panel lights (includes 3 cable sets)
Surface Mount Kit	KT-PLED-SM-14-KIT	Surface mount kit for (1) 1x4 LED panel light
SmartSafe Emergency Battery Backup	KT-EMRG-LED-5-500-EN /DF	5W, 500 lumen SmartSafe emergency battery back-up with dual flex cables
	KT-EMRG-LED-12-1200-EN /DF	12W, 1200 lumen SmartSafe emergency battery back-up with dual flex cables for remote mounting only
Emergency LED Backup Mounting Kit	KT-PLED-EM-BR-KIT	Bracket kit for mounting emergency LED backup to LED panel lights; designed for use with KT-EMRG-LED-5-500-EN /DF and KT-EMRG-LED-12-1200-EN /DF

CATALOG NUMBER BREAKDOWN

KT-PLED40-14-8XX-VDIM-P

1 2 3 4 5 6 7 8

- | | |
|---------------------------|---------------------|
| 1 Keystone Technologies | 5 800 Series |
| 2 Panel Light LED Fixture | 6 Color Temperature |
| 3 Wattage | 7 0-10V Dimming |
| 4 1' x 4' Nominal Size | 8 Premium Series |