

KT-RDLEDXXPS-XA-9CSF-CDIM

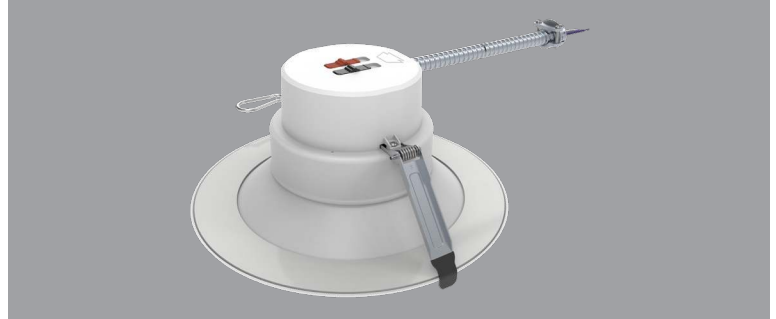
LED COMMERCIAL DOWNLIGHT

DESCRIPTION

LED Commercial Downlight | Power Select Technology | Color Select Technology | Internal Driver and Integral Whip

APPLICATION

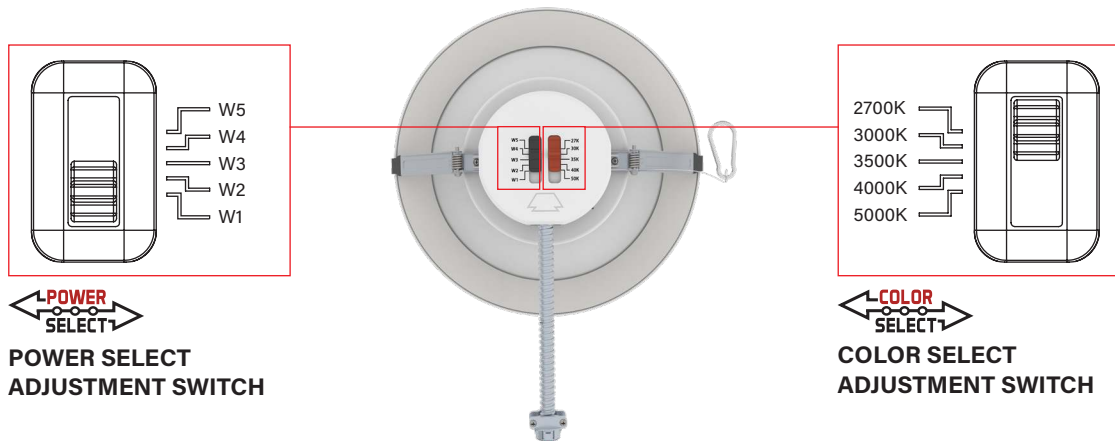
Ideal for residential, hospitality, retail, office, and other retrofit and new construction applications



PRODUCT FEATURES

- Keystone Power Select and Color Select technologies offer SKU reduction and allow for easy, on-the-job adjustments
- Designed with integral whip to connect directly to a junction box; Ideal for installation into existing CFL pin-based fixture infrastructure
- Integral driver eliminates the need for a traditional multi-piece fixture setup
- CEC Compliant Flicker Rate (CEC JA10 std.)
- Ideal for new construction, remodel, and retrofit applications
- Smooth reflector trim offers clean, modern appearance
- Interchangeable trims available in matte black, brushed nickel, and bronze
- Powered by Keystone Combination dimming LED driver; 0-10V (10–100% dimming), Triac and ELV dimming (@120V only)
- Ambient operating temperature: –25°C/–13°F to 40°C/104°F
- Suitable for use in wet locations
- Airtight and Type IC-rated
- Power factor: >0.90
- THD: <25%
- LED chip lifetime: L70 >80,000 hrs @ 25°C/77°F ambient fixture temp
- FCC Part 15, Subpart B, Class B

POWER SELECT (WATTAGE) AND COLOR SELECT (CCT) ADJUSTMENT



PRODUCT SPECIFICATIONS

Catalog Number	Nominal Size	Selectable Wattage	Selectable CCT	Max Lumens	Efficacy	Input Voltage	Dimmable	CRI
KT-RDLED38PS-10A-9CSF-CDIM	10 inch	38W / 32W / 28W / 24W / 20W	2700K 3000K 3500K 4000K 5000K	4150	109 lm/W	120-277V	0-10V, Phase Dimming	> 90
KT-RDLED30PS-8A-9CSF-CDIM	8 inch	30W / 27W / 23W / 20W / 16W		3350	112 lm/W			
KT-RDLED24PS-6A-9CSF-CDIM	6 inch	24W / 21W / 18.5W / 13W / 9.5W		2750	115 lm/W			
KT-RDLED13PS-4A-9CSF-CDIM	4 inch	13W / 10W / 9W / 7W / 5.5W		1450	112 lm/W			

* Preset to highest Wattage and CCT: 5000K

Color Uniformity: CCT (Correlated Color Temperature) range as per guidelines outlined in ANSI C78.377-2017



ADVANTA



KT-RDLEDXXPS-XA-9CSF-CDIM

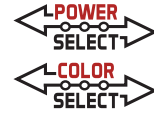
LED COMMERCIAL DOWNLIGHT

PERFORMANCE SPECIFICATIONS

Catalog Number	Nominal Size	Wattage (Selectable)	CCT	Lumens	Efficacy	Input Voltage	Dimmable	CRI
KT-RDLED38PS-10A-9CSF-CDIM	10 inch	38W	2700K	3850	101 lm/W	120-277V	0-10V, Phase Dimming	> 90
			3000K	4000	105 lm/W			
			3500K	4100	108 lm/W			
			4000K	4150	109 lm/W			
			5000K	4150	109 lm/W			
		32W	2700K	3300	103 lm/W			
			3000K	3450	108 lm/W			
			3500K	3550	111 lm/W			
			4000K	3600	113 lm/W			
			5000K	3600	113 lm/W			
		28W	2700K	3000	107 lm/W			
			3000K	3100	111 lm/W			
			3500K	3150	113 lm/W			
			4000K	3200	114 lm/W			
			5000K	3200	114 lm/W			
		24W	2700K	2600	108 lm/W			
			3000K	2700	113 lm/W			
			3500K	2800	117 lm/W			
			4000K	2850	119 lm/W			
			5000K	2850	119 lm/W			
20W	2700K	2300	115 lm/W					
	3000K	2400	120 lm/W					
	3500K	2500	125 lm/W					
	4000K	2550	128 lm/W					
	5000K	2550	128 lm/W					

* Preset to highest CCT: 5000K

Color Uniformity: CCT (Correlated Color Temperature) range as per guidelines outlined in ANSI C78.377-2017



KT-RDLEDXXPS-XA-9CSF-CDIM

LED COMMERCIAL DOWNLIGHT

PERFORMANCE SPECIFICATIONS (CONTINUED)

Catalog Number	Nominal Size	Wattage (Selectable)	CCT	Lumens	Efficacy	Input Voltage	Dimmable	CRI
KT-RDLED30PS-8A-9CSF-CDIM	8 inch	30W	2700K	3000	100 lm/W	120-277V	0-10V, Phase Dimming	> 90
			3000K	3200	107 lm/W			
			3500K	3300	110 lm/W			
			4000K	3350	112 lm/W			
			5000K	3350	112 lm/W			
		27W	2700K	2900	107 lm/W			
			3000K	3000	111 lm/W			
			3500K	3150	117 lm/W			
			4000K	3200	119 lm/W			
			5000K	3200	119 lm/W			
		23W	2700K	2400	104 lm/W			
			3000K	2500	109 lm/W			
			3500K	2650	115 lm/W			
			4000K	2700	117 lm/W			
			5000K	2700	117 lm/W			
		20W	2700K	2200	110 lm/W			
			3000K	2300	115 lm/W			
			3500K	2400	120 lm/W			
			4000K	2450	123 lm/W			
			5000K	2450	123 lm/W			
16W	2700K	1850	116 lm/W					
	3000K	1900	119 lm/W					
	3500K	2000	125 lm/W					
	4000K	2050	128 lm/W					
	5000K	2050	128 lm/W					

* Preset to highest CCT: 5000K

Color Uniformity: CCT (Correlated Color Temperature) range as per guidelines outlined in ANSI C78.377-2017



KT-RDLEDXXPS-XA-9CSF-CDIM

LED COMMERCIAL DOWNLIGHT

PERFORMANCE SPECIFICATIONS (CONTINUED)

Catalog Number	Nominal Size	Wattage (Selectable)	CCT	Lumens	Efficacy	Input Voltage	Dimmable	CRI
KT-RDLED24PS-6A-9CSF-CDIM	6 inch	24W	2700K	2450	102 lm/W	120-277V	0-10V, Phase Dimming	> 90
			3000K	2600	108 lm/W			
			3500K	2700	113 lm/W			
			4000K	2750	115 lm/W			
			5000K	2750	115 lm/W			
		21W	2700K	2200	105 lm/W			
			3000K	2300	110 lm/W			
			3500K	2350	112 lm/W			
			4000K	2400	114 lm/W			
			5000K	2400	114 lm/W			
		18.5W	2700K	1950	105 lm/W			
			3000K	2000	108 lm/W			
			3500K	2150	116 lm/W			
			4000K	2200	119 lm/W			
			5000K	2200	119 lm/W			
		13W	2700K	1450	112 lm/W			
			3000K	1500	115 lm/W			
			3500K	1550	119 lm/W			
			4000K	1600	123 lm/W			
			5000K	1600	123 lm/W			
9.5W	2700K	1050	111 lm/W					
	3000K	1100	116 lm/W					
	3500K	1150	121 lm/W					
	4000K	1200	126 lm/W					
	5000K	1200	126 lm/W					

* Preset to highest CCT: 5000K

Color Uniformity: CCT (Correlated Color Temperature) range as per guidelines outlined in ANSI C78.377-2017



KT-RDLEDXXPS-XA-9CSF-CDIM

LED COMMERCIAL DOWNLIGHT

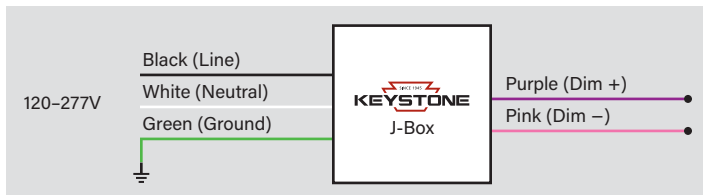
PERFORMANCE SPECIFICATIONS (CONTINUED)

Catalog Number	Nominal Size	Wattage (Selectable)	CCT	Lumens	Efficacy	Input Voltage	Dimmable	CRI
KT-RDLED13PS-4A-9CSF-CDIM	4 inch	13W	2700K	1250	96 lm/W	120-277V	0-10V, Phase Dimming	> 90
			3000K	1300	100 lm/W			
			3500K	1400	108 lm/W			
			4000K	1450	112 lm/W			
			5000K	1450	112 lm/W			
		10W	2700K	1050	105 lm/W			
			3000K	1100	110 lm/W			
			3500K	1150	115 lm/W			
			4000K	1200	120 lm/W			
			5000K	1200	120 lm/W			
		9W	2700K	950	106 lm/W			
			3000K	1000	111 lm/W			
			3500K	1050	117 lm/W			
			4000K	1100	122 lm/W			
			5000K	1100	122 lm/W			
		7W	2700K	800	114 lm/W			
			3000K	815	116 lm/W			
			3500K	825	118 lm/W			
			4000K	850	121 lm/W			
			5000K	850	121 lm/W			
5.5W	2700K	600	109 lm/W					
	3000K	625	114 lm/W					
	3500K	635	115 lm/W					
	4000K	650	118 lm/W					
	5000K	650	118 lm/W					

* Preset to highest CCT: 5000K

Color Uniformity: CCT (Correlated Color Temperature) range as per guidelines outlined in ANSI C78.377-2017

WIRING DIAGRAM





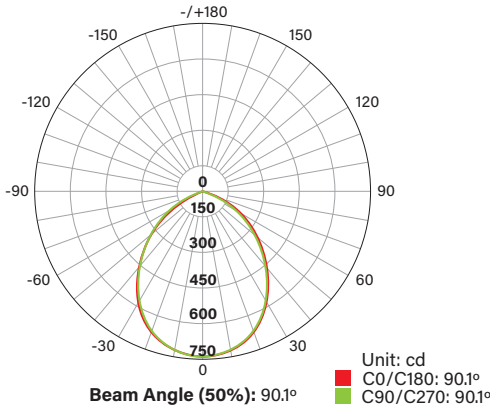
KT-RDLEDXXPS-XA-9CSF-CDIM

LED COMMERCIAL DOWNLIGHT

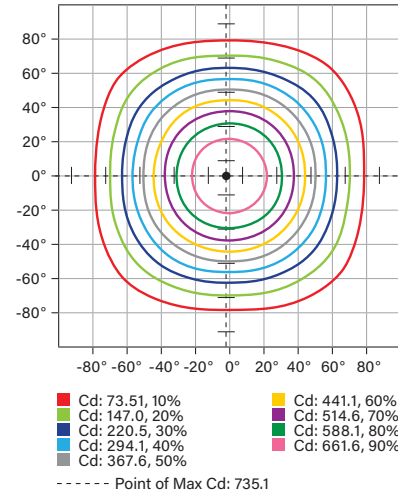
PHOTOMETRIC SPECIFICATIONS

KT-RDLED13PS-4A-9CSF-CDIM

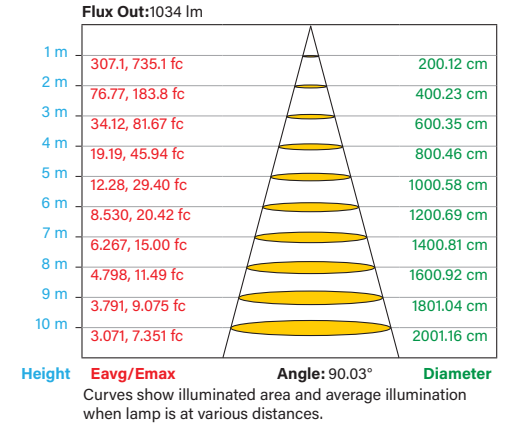
POLAR CANDELA DISTRIBUTION



ISOCANDELA PLOT

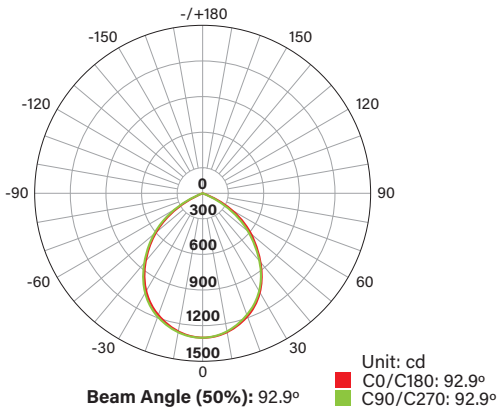


LUX DISTANCE CURVE

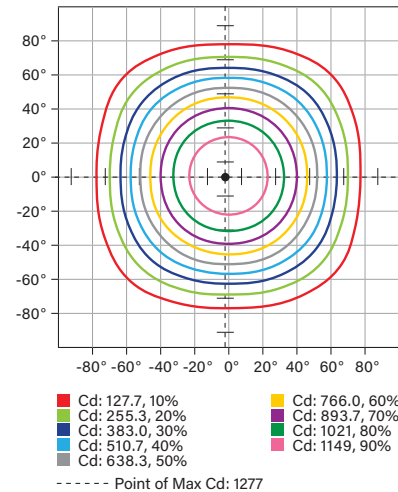


KT-RDLED24PS-6A-9CSF-CDIM

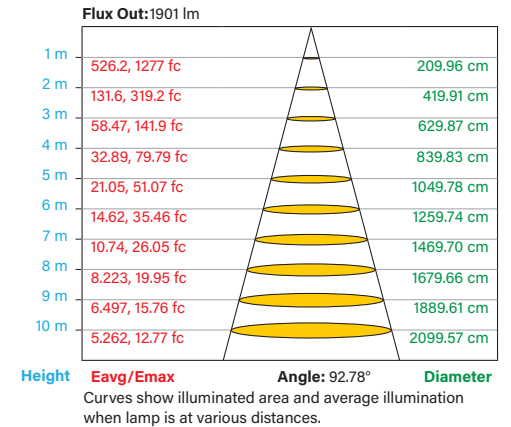
POLAR CANDELA DISTRIBUTION



ISOCANDELA PLOT



LUX DISTANCE CURVE



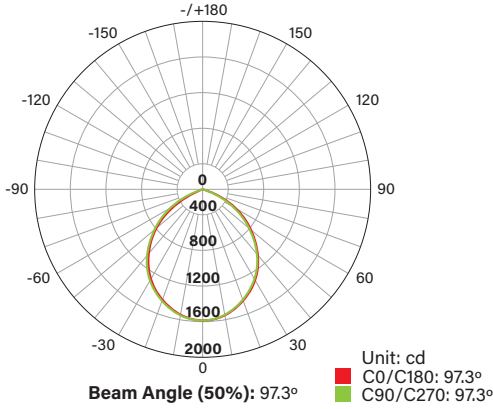
KT-RDLEDXXPS-XA-9CSF-CDIM

LED COMMERCIAL DOWNLIGHT

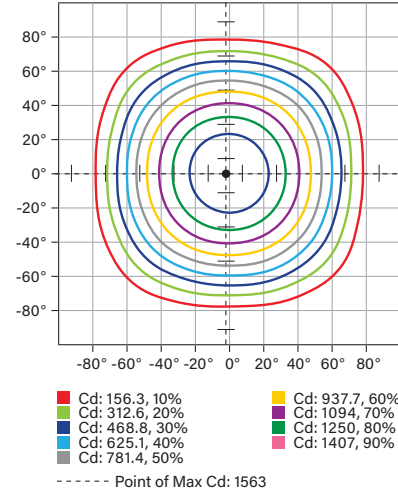
PHOTOMETRIC SPECIFICATIONS (CONTINUED)

KT-RDLED30PS-8A-9CSF-CDIM

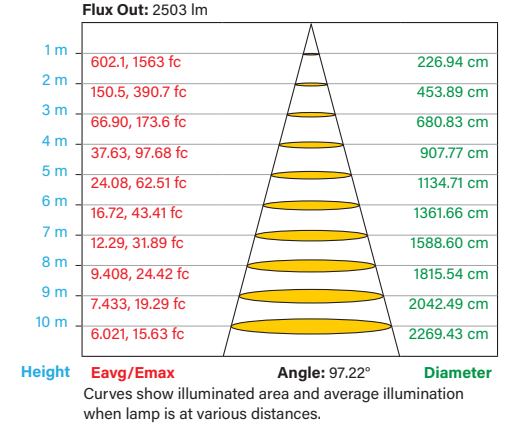
POLAR CANDELA DISTRIBUTION



ISOCANDELA PLOT

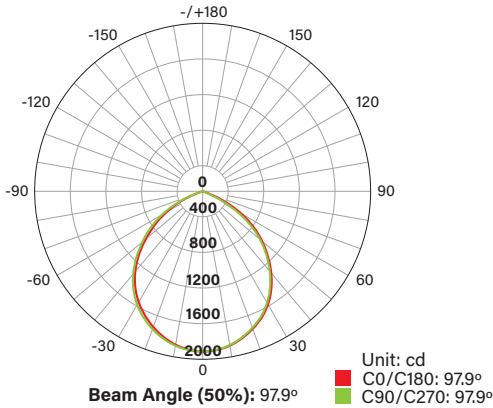


LUX DISTANCE CURVE

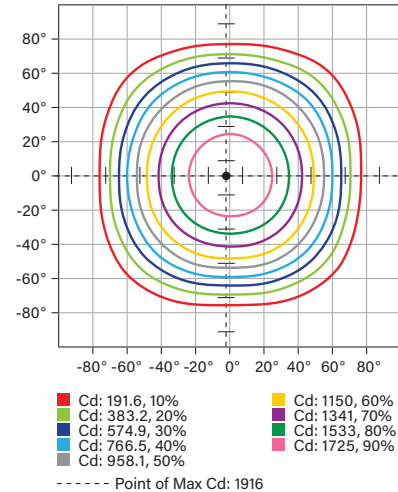


KT-RDLED38PS-10A-9CSF-CDIM

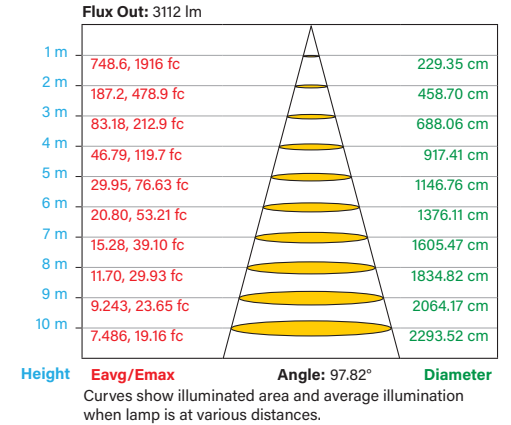
POLAR CANDELA DISTRIBUTION



ISOCANDELA PLOT



LUX DISTANCE CURVE

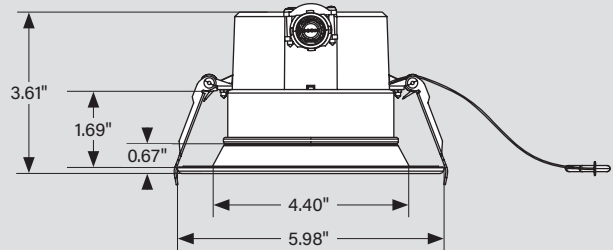
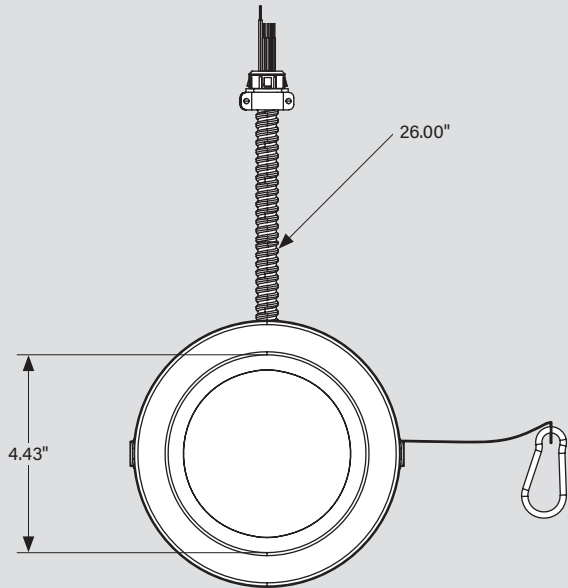


KT-RDLEDXXPS-XA-9CSF-CDIM

LED COMMERCIAL DOWNLIGHT

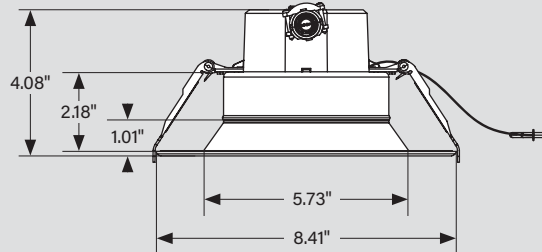
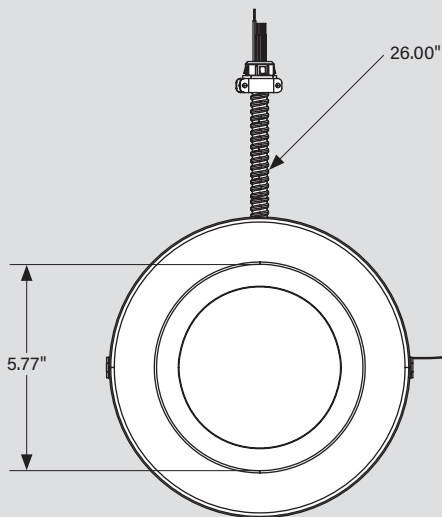
PHYSICAL SPECIFICATIONS

KT-RDLED13PS-4A-9CSF-CDIM



Catalog Number	Cut-Out (Min to Max)
KT-RDLED13PS-4A-9CSF-CDIM	Ø 4.13" to Ø 4.41"

KT-RDLED24PS-6A-9CSF-CDIM



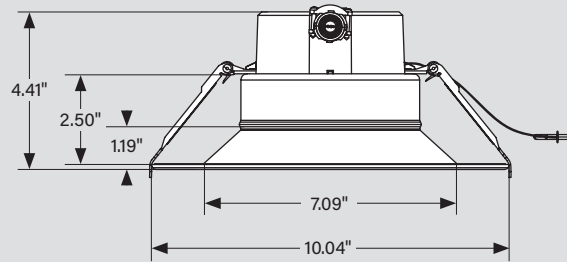
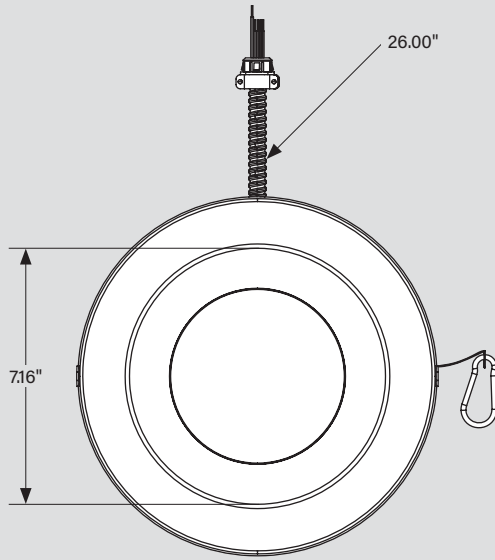
Catalog Number	Cut-Out (Min to Max)
KT-RDLED24PS-6A-9CSF-CDIM	Ø 4.13" to Ø 4.41"

KT-RDLEDXXPS-XA-9CSF-CDIM

LED COMMERCIAL DOWNLIGHT

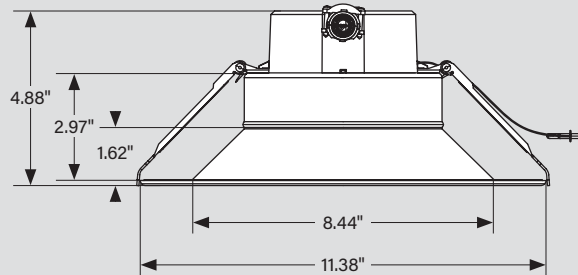
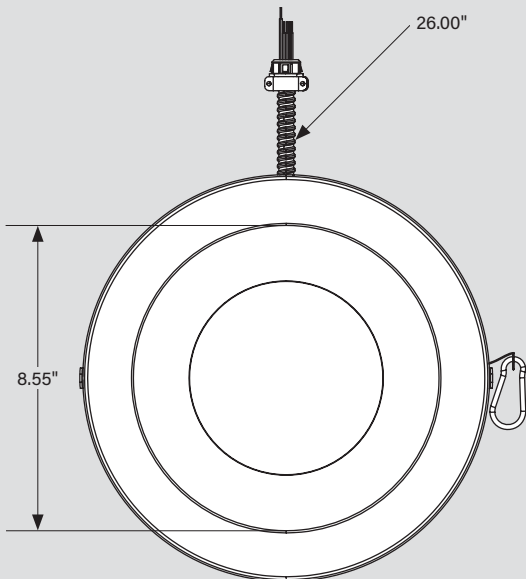
PHYSICAL SPECIFICATIONS (CONTINUED)

KT-RDLED30PS-8A-9CSF-CDIM



Catalog Number	Cut-Out (Min to Max)
KT-RDLED30PS-8A-9CSF-CDIM	Ø 4.13" to Ø 4.41"

KT-RDLED38PS-10A-9CSF-CDIM



Catalog Number	Cut-Out (Min to Max)
KT-RDLED38PS-10A-9CSF-CDIM	Ø 4.13" to Ø 4.41"

KT-RDLEDXXPS-XA-9CSF-CDIM

LED COMMERCIAL DOWNLIGHT

OPTIONAL ACCESSORIES (SOLD SEPARATELY)

INTERCHANGEABLE TRIM

Catalog Number	Description	UPC	Easy Code
KT-RDLED-6A-MB-TRIM	6" Interchangeable trim for 6" recessed downlights; Matte black	843654137155	TCP-85
KT-RDLED-6A-BN-TRIM	6" Interchangeable trim for 6" recessed downlights; Brushed nickel	843654137186	CZZ-70
KT-RDLED-6A-BR-TRIM	6" Interchangeable trim for 6" recessed downlights; Bronze	843654137216	CUN-05
KT-RDLED-8A-MB-TRIM	8" Interchangeable trim for 8" recessed downlights; Matte black	843654137162	XEY-99
KT-RDLED-8A-BN-TRIM	8" Interchangeable trim for 8" recessed downlights; Brushed nickel	843654137193	VKJ-61
KT-RDLED-8A-BR-TRIM	8" Interchangeable trim for 8" recessed downlights; Bronze	843654137223	MSA-34
KT-RDLED-10A-MB-TRIM	10" Interchangeable trim for 10" recessed downlights; Matte black	843654137179	HWB-59
KT-RDLED-10A-BN-TRIM	10" Interchangeable trim for 10" recessed downlights; Brushed nickel	843654137209	NLB-18
KT-RDLED-10A-BR-TRIM	10" Interchangeable trim for 10" recessed downlights; Bronze	843654137230	KSN-09



GOOF RING

Catalog Number	Description	UPC	Easy Code
KT-RDLED-6A-GOOF	6" Goof ring for 6" recessed downlights; 10.51" outer diameter	843654137247	LFJ-16
KT-RDLED-8A-GOOF	8" Goof ring for 8" recessed downlights; 12.51" outer diameter	843654137254	UDK-67
KT-RDLED-10A-GOOF	10" Goof ring for 10" recessed downlights; 14.17" outer diameter	843654137261	XHZ-21



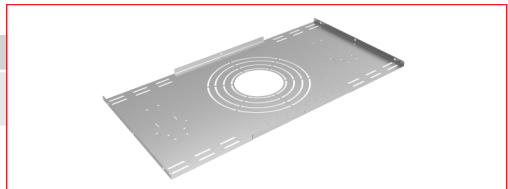
JUNCTION BOX

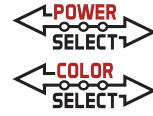
Catalog Number	Description	UPC	Easy Code
KT-RDLED-JBOX-1-KIT	Junction box for recessed downlights	843654137278	HJA-70



NEW-CONSTRUCTION PLATE

Catalog Number	Description	UPC	Easy Code
KT-RDLED-PLATE-1	New-construction plate for recessed downlights	843654137285	BMS-81





KT-RDLEDXXPS-XA-9CSF-CDIM

LED COMMERCIAL DOWNLIGHT

ORDERING INFORMATION

Catalog Number	Pack Qty.	UPC	Easy Code
KT-RDLED13PS-4A-9CSF-CDIM	1	843654168852	QWE-95
KT-RDLED24PS-6A-9CSF-CDIM	1	843654168869	QAS-24
KT-RDLED30PS-8A-9CSF-CDIM	1	843654168876	GJA-60
KT-RDLED38PS-10A-9CSF-CDIM	1	843654168883	ADT-41

CATALOG NUMBER BREAKDOWN

KT-RDLEDXXPS-XA-9CSF-CDIM

1
2
3
4
5
6
7
8
9
10
11

- 1** Keystone Technologies
- 2** Recessed Downlight
- 3** LED Technology
- 4** Wattage
- 5** Power Select
- 6** Size
- 7** Style
- 8** CRI
- 9** Color Select
- 10** Color Select Designation
- 11** Dimming

6 Size

4	4"
6	6"
8	8"
10	10"

7 Style

A	Series A
---	----------

8 CRI

9	90
---	----

10 Color Select Designation

F	2700K, 3000K, 3500K, 4000K, 5000K
---	-----------------------------------

11 Dimming

CDIM	Combination Dimming
------	---------------------