



KT-RHLEDXXX-XXCB-8XX-VDIM

ROUND LED HIGH BAY FIXTURE

DESCRIPTION

Round LED High Bay Fixture | Wet Location Rated | Contractor Prime

APPLICATION

Used for commercial and industrial High Bay lighting applications



5 YEAR WARRANTY



PRODUCT FEATURES

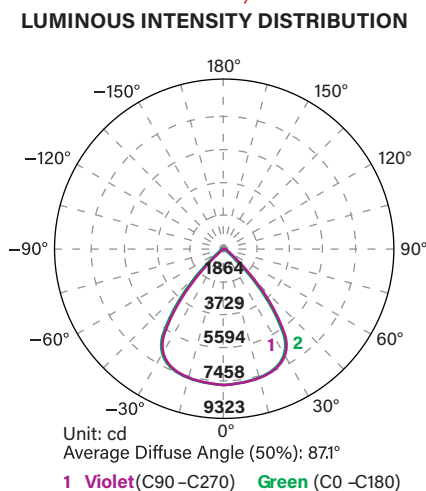
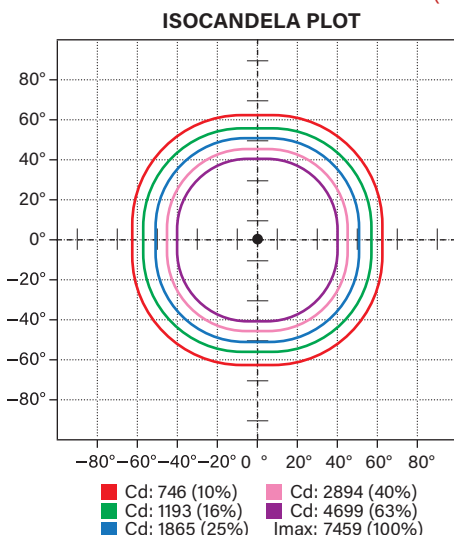
- Extra compact design offers an optimal blend of performance, key features, and value
- Designed to accept easy screw-in installation of optional sensors
- Powered by Keystone 0–10V dimming LED driver
- Ring-bolt mounting accessory included
- 6' cord for input and dimming wires
- Powder-coated aluminum housing; Polycarbonate lens
- Ribbed lens to reduce glare
- Built-in 4kV surge protection
- LED lifetime: L70 >100,000 hours @ 25°C fixture ambient
- Ambient operating temperature: –40°C/–40°F to 50°C/122°F
- IP65 rated, wet location

PERFORMANCE SPECIFICATIONS DETAILED

Catalog Number	Nominal Size	Wattage	CCT	Lumens	Efficacy	Input Voltage	Dimmable	CRI	Housing Color
KT-RHLED100-11CB-840-VDIM	11" Circular	100W	4000K	14,700	147 lm/W	120–277V	0-10V	>80	Black
KT-RHLED100-11CB-850-VDIM			5000K	14,900	149 lm/W				
KT-RHLED150-11CB-840-VDIM	11" Circular	150W	4000K	22,200	148 lm/W				
KT-RHLED150-11CB-850-VDIM			5000K	22,600	150 lm/W				
KT-RHLED200-12CB-840-VDIM	12" Circular	200W	4000K	29,400	147 lm/W				
KT-RHLED200-12CB-850-VDIM			5000K	30,000	150 lm/W				
KT-RHLED240-13CB-840-VDIM	13" Circular	240W	4000K	35,280	147 lm/W				
KT-RHLED240-13CB-850-VDIM			5000K	36,000	150 lm/W				

Note: Color uniformity: CCT (Correlated Color Temperature) range as per guidelines outlined in ANSI C78.377-2017

PHOTOMETRIC SPECIFICATIONS (KT-RHLED100-11CB-8XX-VDIM)



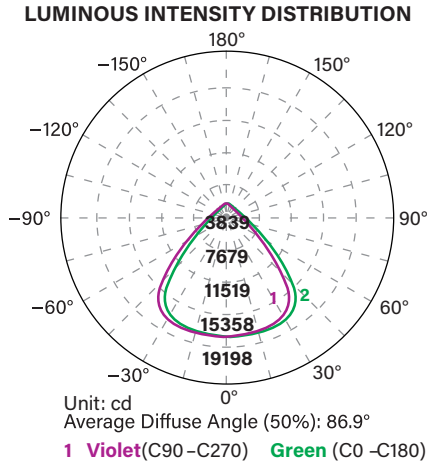
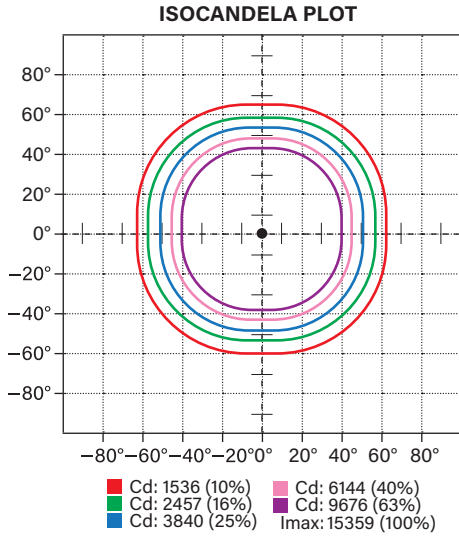
ZONAL LUMEN SUMMARY

Zone	Lumens	% Luminaire
Forward Light	7161 lm	48.3%
FL (0°–30°)	3022 lm	20.4%
FM (30°–60°)	3740 lm	25.2%
FH (60°–80°)	386 lm	2.6%
FVH (80°–90°)	13 lm	0.1%
Back Light	7548 lm	50.9%
BL (0°–30°)	3062 lm	20.6%
BM (30°–60°)	4044 lm	27.3%
BH (60°–80°)	426 lm	2.9%
BVH (80°–90°)	15 lm	0.1%
Up Light	125 lm	0.8%
UL (90°–180°)	3 lm	0.0%
UH (100°–180°)	122 lm	0.8%

KT-RHLEDXXX-XXCB-8XX-VDIM

ROUND LED HIGH BAY FIXTURE

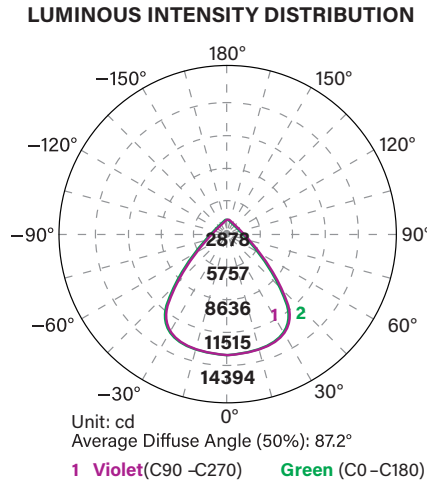
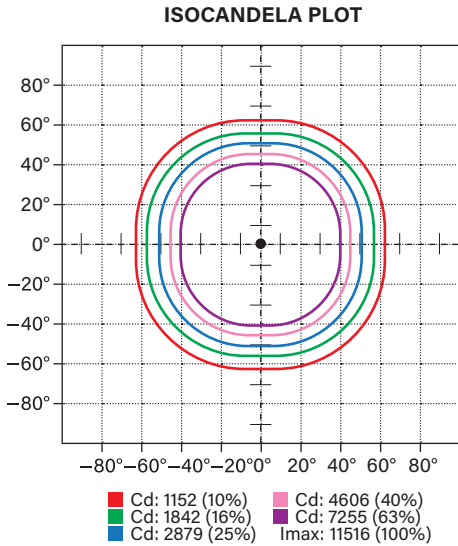
PHOTOMETRIC SPECIFICATIONS (KT-RHLED150-11CB-8XX-VDIM)



ZONAL LUMEN SUMMARY

Zone	Lumens	% Luminaire
Forward Light	14439 lm	47.0%
FL (0°-30°)	6248 lm	20.3%
FM (30°-60°)	7430 lm	24.2%
FH (60°-80°)	742 lm	2.4%
FVH (80°-90°)	19 lm	0.1%
Back Light	16028 lm	52.2%
BL (0°-30°)	6380 lm	20.8%
BM (30°-60°)	8685 lm	28.3%
BH (60°-80°)	934 lm	3.0%
BVH (80°-90°)	29 lm	0.1%
Up Light	253 lm	0.8%
UL (90°-180°)	5 lm	0.0%
UH (100°-180°)	248 lm	0.8%

PHOTOMETRIC SPECIFICATIONS (KT-RHLED200-12CB-8XX-VDIM)



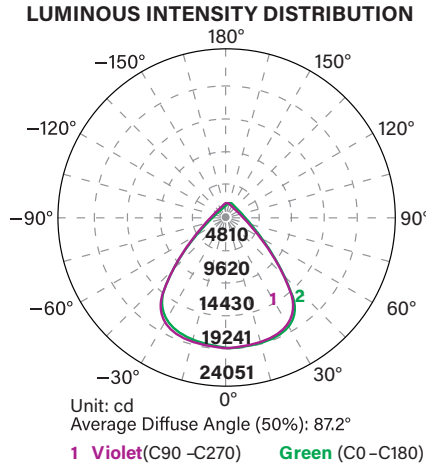
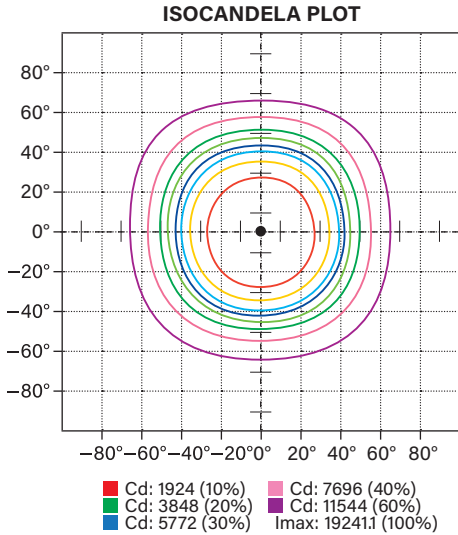
ZONAL LUMEN SUMMARY

Zone	Lumens	% Luminaire
Forward Light	11354 lm	49.4%
FL (0°-30°)	4747 lm	20.7%
FM (30°-60°)	5975 lm	26.0%
FH (60°-80°)	614 lm	2.7%
FVH (80°-90°)	18 lm	0.1%
Back Light	11424 lm	49.7%
BL (0°-30°)	4725 lm	20.6%
BM (30°-60°)	6039 lm	26.3%
BH (60°-80°)	639 lm	2.8%
BVH (80°-90°)	22 lm	0.1%
Up Light	194 lm	0.8%
UL (90°-180°)	5 lm	0.0%
UH (100°-180°)	190 lm	0.8%

KT-RHLEDXXX-XXCB-8XX-VDIM

ROUND LED HIGH BAY FIXTURE

PHOTOMETRIC SPECIFICATIONS (KT-RHLED240-13CB-8XX-VDIM)

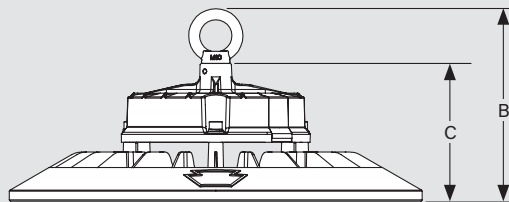
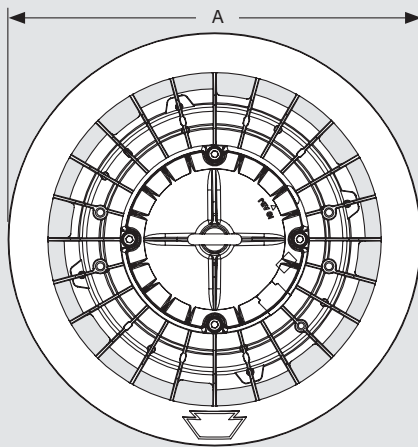


ZONAL LUMEN SUMMARY

Zone	Lumens	% Luminaire
Forward Light	17827 lm	49.8%
FL (0°-30°)	7594 lm	21.1%
FM (30°-60°)	8905 lm	24.9%
FH (60°-80°)	1250 lm	3.5%
FVH (80°-90°)	79 lm	0.2%
Back Light	17888 lm	49.9%
BL (0°-30°)	7691 lm	21.5%
BM (30°-60°)	8918 lm	24.9%
BH (60°-80°)	1210 lm	3.4%
BVH (80°-90°)	69 lm	0.2%
Up Light	113 lm	0.3%
UL (90°-180°)	8 lm	0.0%
UH (100°-180°)	105 lm	0.3%

PHYSICAL SPECIFICATIONS

KT-RHLED100-11CB-8XX-VDIM / KT-RHLED150-11CB-8XX-VDIM



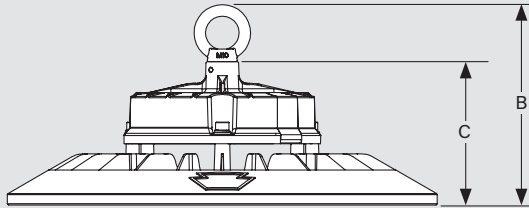
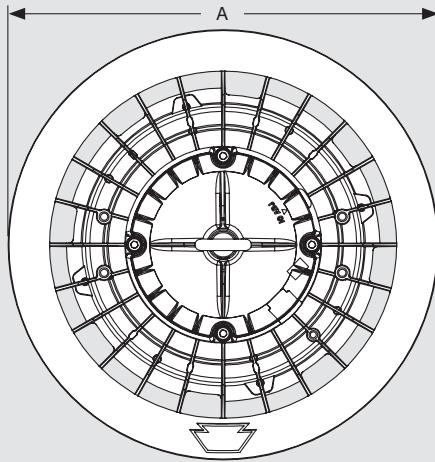
KT-RHLED100-11CB-8XX-VDIM KT-RHLED150-11CB-8XX-VDIM	
A (Length)	11.70"
B (Height)	5.75"
C (Height 2)	4.09"

KT-RHLEDXXX-XXCB-8XX-VDIM

ROUND LED HIGH BAY FIXTURE

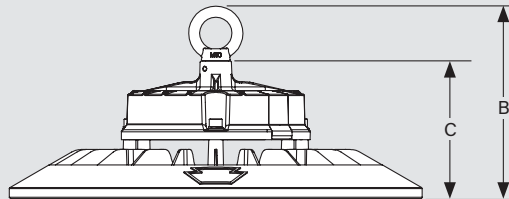
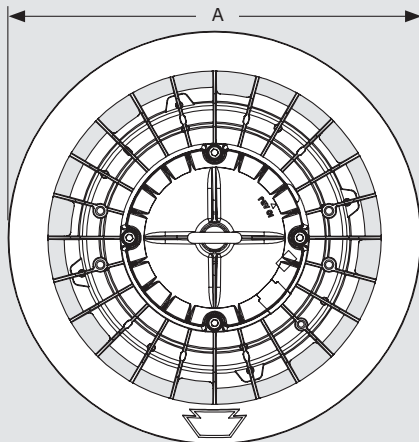
PHYSICAL SPECIFICATIONS (continued)

KT-RHLED200-12CB-8XX-VDIM



KT-RHLED200-12CB-8XX-VDIM	
A (Length)	12.60"
B (Height)	5.87"
C (Height 2)	4.21"

KT-RHLED240-13CB-8XX-VDIM



KT-RHLED240-13CB-8XX-VDIM	
A (Length)	14.00"
B (Height)	6.17"
C (Height 2)	4.50"



KT-RHLEDXXX-XXCB-8XX-VDIM

ROUND LED HIGH BAY FIXTURE

ACCESSORIES

SENSORS/CONTROLLERS

Factory-Installable OR Field-Installable (field-installable purchased separately)

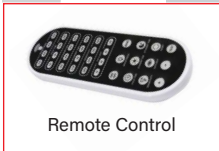
✓	Suffix*	Catalog Number	Description	UPC	Easy Code
	/FC3**	KTSL-FC3-12V-PKO-PIR	Bluetooth mesh wireless screw-in low voltage PIR sensor and fixture controller for SmartLoop system	843654138862	OCW-60
	/FC4	KTSL-FC4-12V-PKO	Bluetooth mesh screw-in PIR occupancy sensor with built-in fixture controller for SmartLoop LLC system	843654149066	RUN-10
	/PIR	KTS-PIR3-12V-PKO /G2	Screw-in PIR multifunction sensor, preset for 10 min hold time, ∞ min standby time at 50% dim, daylight	843654146447	GLF-99
	/MW3	KTS-MW3-12V-PKO	Screw-in microwave multifunction sensor, preset for 10 min hold time, ∞ min standby time at 50% dim, daylight disable	843654135212	TRM-32



* For factory installation of accessory, add suffix to fixture part number (see ordering examples and instructions on last page of spec sheet).
 ** When installing on Keystone highbay lights and an IP tight connection is desired, use the xxxx gasket provided with the sensor to ensure proper electrical connection and water tight seal. Hand tighten only.

Field-Installable / Field-Use ONLY (purchased separately)

✓	Suffix*	Catalog number	Description	UPC	Easy Code
	-	KTS-MW3-REMOTECONTROL	Remote control for KTS-MW3-12V-PKO and KTS-PIR3-12V-PKO sensors, used to set and adjust all sensor settings	843654132020	XSR-61



CORD SETS

Factory-Installable OR Field-Installable (field-installable purchased separately)

✓	Suffix*	Catalog number	Description	UPC	Easy Code
	/L515P	KT-P-L515P	125V NEMA L5-15P twist lock plug	843654123486	GEW-06
	/L615P	KT-P-L615P	250V NEMA L6-15P twist lock plug	843654138619	VPX-09
	/L715P	KT-P-L715P	277V NEMA L7-15P twist lock plug	843654123493	ETV-78

* For factory installation of accessory, add suffix to fixture part number (see ordering examples and instructions on last page of spec sheet).
Note: For cord sets not listed here, please contact your Keystone sales rep.

EMERGENCY BACKUPS

Factory-Installable OR Field-Installable (field-installable purchased separately)

✓	Suffix*	Catalog number	Description	UPC	Easy Code
	/EM	KT-EMRG-LED-40SD-5000-CEN /SF**	One Piece 40W Constant Wattage Design with Self Diagnostics. Approx 5000 lumens, Single Flex Cable with Included J-Box, 120-277V Input. CEC T20 Compliant.	843654144320	UGW-62

* For factory installation of accessory, add suffix to fixture part number (see ordering examples and instructions on last page of spec sheet).
 ** KT-RHLED200PS-12C-8CSB-VDIM /G2/EM Available for Quick Ship
 † Factory installation of emergency backup units will automatically include any relevant mounting bracket.
 **EM cannot be used in conjunction with screw-in sensors on these fixtures.

(Accessories continued on next page)

KT-RHLEDXXX-XXCB-8XX-VDIM

ROUND LED HIGH BAY FIXTURE

ACCESSORIES (continued)

MOUNTS/BRACKETS

Field-Installable / Field-Use ONLY (purchased separately)

✓	Suffix*	Catalog Number	Description	UPC	Easy Code
	-	KT-RHLED-JBOX-PM /G2	J-Box Optimized for Pole Pendant and Step-Down Transformer Applications.	843654133300	RAQ-94
	-	KT-RHLED-WG-1-KIT /G2	Wire guard kit for for 100W and 150W Color & Power Select G2 Round LED High Bay Fixtures; Includes mounting hardware.	843654133263	NPV-09
	-	KT-RHLED-WG-2-KIT /G2	Wire guard kit for for 200W and 240W Color & Power Select G2 Round LED High Bay Fixtures; Includes mounting hardware.	843654133270	PHU-26
	-	KT-RHLED-SM-1-KIT /G2	Surface Mount Kit for 100W and 150W Color & Power Select G2 Round LED High Bay Fixtures. Mounting Hardware Included.	843654133249	JXD-63
	-	KT-RHLED-SM-2-KIT-W /G2	Surface Mount Kit for 200W and 240W Color & Power Select G2 Round LED High Bay Fixtures. Mounting Hardware Included. White.	843654138763	UJS-44



STEP-DOWN TRANSFORMERS

Factory-Installable OR Field-Installable (field-installable purchased separately)

✓	Suffix*	Catalog Number	Description	UPC	Easy Code
	/480†	KTAT-250-480-277 /SF	Fully enclosed, single flex step-down transformer for LED high bay fixtures (250VA or lower)	843654102931	XIM-17

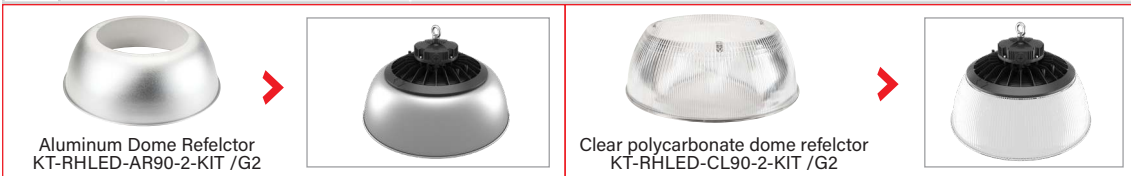


* For factory installation of accessory, add suffix to fixture part number (see ordering examples and instructions on last page of spec sheet).
† Factory installation of step-down transformer units will automatically include any relevant mounting bracket.

LENSES/REFLECTORS

Field-Installable / Field-Use ONLY (purchased separately)

✓	Suffix*	Catalog Number	Description	UPC	Easy Code
	-	KT-RHLED-AR90-1-KIT /G2	Aluminum Dome Reflector for 100W and 150W Color & Power Select G2 Round LED High Bay Fixtures; Includes mounting hardware.	843654133287	ZOV-89
	-	KT-RHLED-AR90-2-KIT /G2	Aluminum Dome Reflector for 200W and 240W Color & Power Select G2 Round LED High Bay Fixtures; Includes mounting hardware.	843654133294	GBN-40
	-	KT-RHLED-CL90-1-KIT /G2	Clear Polycarbonate Reflector for 100W and 150W Color & Power Select G2 Round LED High Bay Fixtures; Includes mounting hardware.	843654133614	FVZ-16
	-	KT-RHLED-CL90-2-KIT /G2	Clear Polycarbonate Reflector for 200W and 240W Color & Power Select G2 Round LED High Bay Fixtures; Includes mounting hardware.	843654133621	SFZ-16



* Screw in PIR sensors can not be used with KT-RHLED-CL90-2-KIT /G2



KT-RHLEDXXX-XXCB-8XX-VDIM

ROUND LED HIGH BAY FIXTURE

ORDERING INFORMATION

Catalog Number	Carton QTY	UPC	Easy Code
KT-RHLED100-11CB-840-VDIM	1	843654152073	IMC-56
KT-RHLED100-11CB-850-VDIM	1	843654152080	AYJ-23
KT-RHLED150-11CB-840-VDIM	1	843654152097	GDH-12
KT-RHLED150-11CB-850-VDIM	1	843654152103	YIA-71
KT-RHLED200-12CB-840-VDIM	1	843654152110	YIJ-22
KT-RHLED200-12CB-850-VDIM	1	843654152127	LMX-02
KT-RHLED240-13CB-840-VDIM	1	843654160900	NZL-41
KT-RHLED240-13CB-850-VDIM	1	843654160917	THD-22

CATALOG NUMBER BREAKDOWN

KT-RHLEDXXX-XXCB-8XX-VDIM

1
2
3
4
5
6
7
8

- 1** Keystone Technologies
- 2** Round Highbay LED Fixture
- 3** Wattage
- 4** Circular Nominal Size
- 5** Style Designation
- 6** 80 CRI
- 7** Color Temperature
- 8** 0-10V Dimming

3 Wattage

100	100W
150	150W
200	200W
240	240W

7 Color Temperature

40	4000K
50	5000K

4 Circular Nominal Size

11C	11" Circular
12C	12" Circular
13C	13" Circular

(Ordering Information continued on next page)



KT-RHLEDXXX-XXCB-8XX-VDIM

ROUND LED HIGH BAY FIXTURE

ORDERING EXAMPLES

FIXTURE WITH MULTIPLE FACTORY-INSTALLED ACCESSORIES*

KT-RHLEDXXX-XXCB-8XX-VDIM /FC3 /L515P /EM



FIXTURE WITH MULTIPLE FACTORY-INSTALLED ACCESSORIES*

KT-RHLEDXXX-XXCB-8XX-VDIM /FC3 /L515P /480



FIXTURE WITH TWO FACTORY-INSTALLED ACCESSORIES*

KT-RHLEDXXX-XXCB-8XX-VDIM /FC3 /L515P



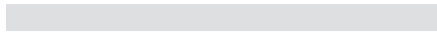
FIXTURE WITH SINGLE FACTORY-INSTALLED ACCESSORY

KT-RHLEDXXX-XXCB-8XX-VDIM /FC3



FIXTURE WITH NO FACTORY-INSTALLED ACCESSORIES

KT-RHLEDXXX-XXCB-8XX-VDIM



* When ordering more than one factory-installed accessory, use multiple suffixes as shown in the ordering examples above.
Note: All accessories can also be ordered separately for field installation using just their regular Catalog Number, UPC, or Easy Code.

KEYSTONE FIXTURE	
Catalog number	
	KT-RHLEDXXXPS-1XC-8CSB-VDIM-X /G2

SENSORS	
✓ Suffix	Catalog number
✓ /FC3**	KTSL-FC3-12V-PKO-PIR

CORD SETS	
✓ Suffix	Catalog number
✓ /L515P	KT-P-L515P

EMERGENCY BACKUP	
✓ Suffix	Catalog number
✓ /EM	KT-EMRG-LED-40SD-5000-CEN /SF

Note: Emergency backup cannot be ordered in conjunction with step-down transformer KTAT-250-480-277 /SF or field-installable KT-RHLED-JBOX-PM /G2.

STEP DOWN TRANSFORMER	
✓ Suffix	Catalog number
✓ /480	KTAT-250-480-277 /SF

Note: Step-down transformer cannot be ordered in conjunction with emergency backup KT-EMRG-LED-40SD-5000-CEN /SF.