

KT-RKIT16AC-5C-8XX-FDIM

DESCRIPTION

80 CRI AC LED Light Engine



PRODUCT FEATURES

- L70 > 50,000 Hours
- Operating Temperature: 0°F-104F°, -18°C-40°C
- UL Classified
- High Factor >.90
- Samsung LEDs
- Suitable for Fully Enclosed Fixtures
- THD <20%
- 5% Minimum Dimming, Low Flicker
- Comes with mounting accessories
- Pre-assembled with Metal Heatsink 5VA Cover

PERFORMANCE SPECIFICATIONS

Size	Catalog Number	Color Temp	CRI	Wattage	Lumens	Efficacy	Input Voltage	Dimming Method
5.5" Round	KT-RKIT16AC-5C-830-FDIM	3000K	>80	16W	1650	103 lm/W	120V	Phase Dimming
	KT-RKIT16AC-5C-840-FDIM	4000K	>80	16W	1670	104 lm/W	120V	Phase Dimming
	KT-RKIT16AC-5C-850-FDIM	5000K	>80	16W	1700	106 lm/W	120V	Phase Dimming

COMPATIBLE DIMMERS

Manufacturer	Model Number
Lutron	S-600PR-WH
Lutron	TGCL-153PH-WH
Lutron	MACL-153MH-LA
LEVITON	WA-RXX-06674-12A

EQUIVALENCES

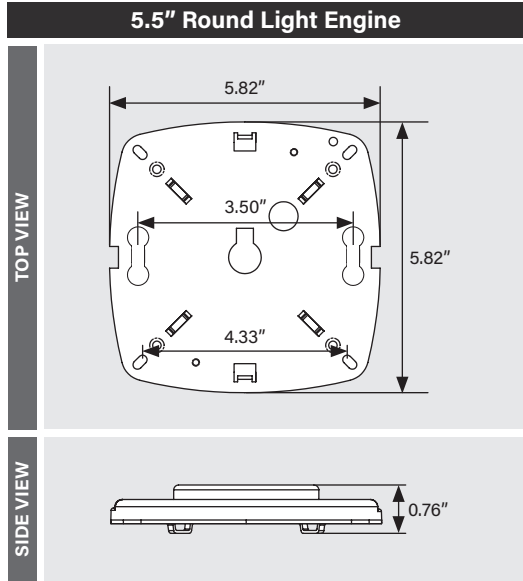
- 2 x 40W Incandescent
- 2 x 11W CFL
- 20W T9 Circline

For questions on additional dimmer compatibility, please contact Keystone.



KT-RKIT16AC-5C-8XX-FDIM

DIMENSIONS



CATALOG NUMBER BREAKDOWN

KT-RKIT16AC-5C-8XX-FDIM

1	2	3	4	5	6	7	8	9
---	---	---	---	---	---	---	---	---

- 1 Keystone Technologies
- 2 Future Fit Kit
- 3 Wattage
- 4 Alternating Current
- 5 5"
- 6 Circular
- 7 80 CRI
- 8 Color Temperature
- 9 Forward Phase Dimming