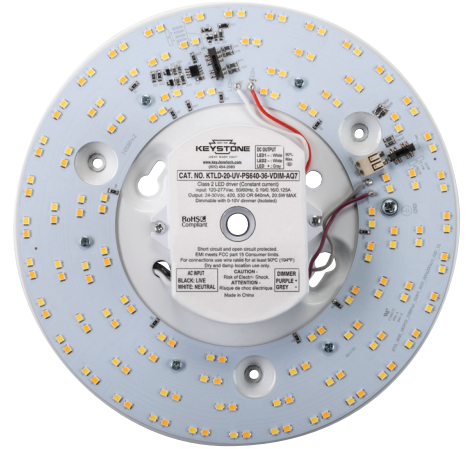




KT-RKIT20PS-8CP-8CSC-VDIM

CIRCULAR POWER/CCT SELECTABLE LED LIGHT ENGINE



DESCRIPTION

8" Circular Power/CCT-Selectable LED Light Engine

PRODUCT FEATURES

- Power and CCT are selectable via DIP switches
- Operating temperature: -20°C/-4°F to 45°C/113°F
- L70 > 50,000 hours
- UL classified
- Meets FCC Part 15, Class B (consumer) limit
- Beam angle: 120°
- THD: < 20%
- Dimming: 0-10V
- Minimum dimming level: 10%
- Pre-assembled; mounting accessories included
- Energy Star Listed

PERFORMANCE SPECIFICATIONS

Catalog Number	Input Voltage	Dimming Type	Selectable Wattage	Selectable CCT	CRI	Total Lumens	System Efficacy
KT-RKIT20PS-8CP-8CSC-VDIM	120-277V	0-10V	13.5W	3000K	> 80	2,100 lm	156 lm/W
				3500K	> 80	2,125 lm	157 lm/W
				4000K	> 80	2,150 lm	159 lm/W
				5000K	> 80	2,200 lm	163 lm/W
			17W	3000K	> 80	2,650 lm	156 lm/W
				3500K	> 80	2,675 lm	157 lm/W
				4000K	> 80	2,700 lm	159 lm/W
				5000K	> 80	2,750 lm	162 lm/W
			20.5W*	3000K	> 80	3,100 lm	151 lm/W
				3500K	> 80	3,125 lm	152 lm/W
				4000K	> 80	3,150 lm	154 lm/W
				5000K*	> 80	3,200 lm	156 lm/W

* Default setting

Note: Color Uniformity: CCT (Correlated Color Temperature) range as per guidelines outlined in ANSI C78.377-2017

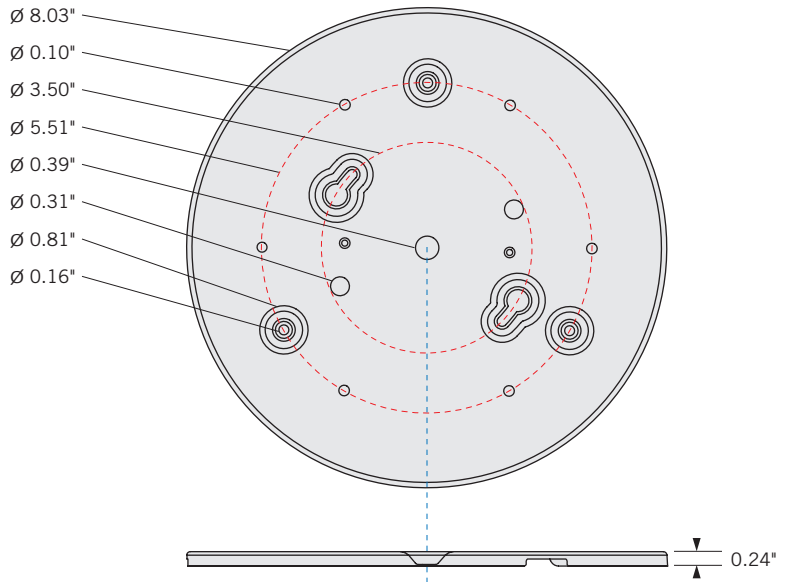
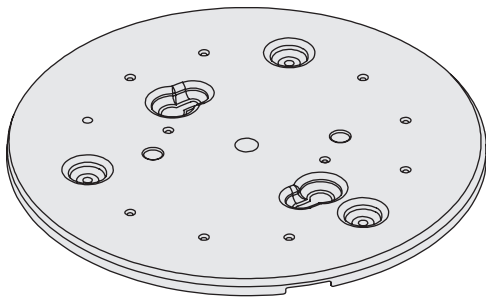


KT-RKIT20PS-8CP-8CSC-VDIM

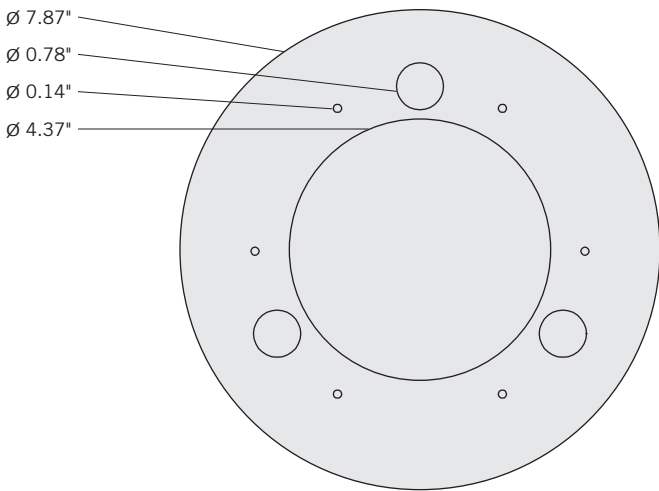
CIRCULAR POWER/CCT SELECTABLE LED LIGHT ENGINE

PHYSICAL SPECIFICATIONS

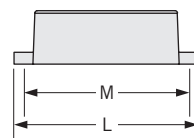
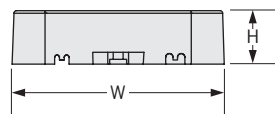
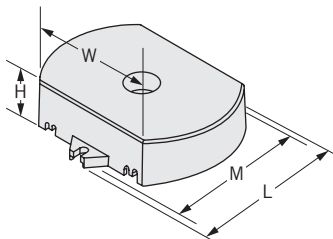
METAL PAN



LED MODULE



LED DRIVER



Dimensions

Width (W)	3.54"
Length (L)	3.07"
Height (H)	0.88"
Mounting (M)	2.75"



KT-RKIT20PS-8CP-8CSC-VDIM

CIRCULAR POWER/CCT SELECTABLE LED LIGHT ENGINE

ORDERING INFORMATION

ORDER CODE	PACK QTY.	EASY CODE	UPC
KT-RKIT20PS-8CP-8CSC-VDIM	20	ZDT-61	843654128108

CATALOG NUMBER BREAKDOWN

KT-RKIT20PS-8CP-8CSC-VDIM

1
2
3
4
5
6
7
8
9
10

- 1** Keystone Technologies
- 2** Retrofit Kit
- 3** Wattage
- 4** Power Select
- 5** Size (8")
- 6** Circular Pan
- 7** 80 CRI
- 8** Color Select
- 9** Color Select Designation
- 10** 0-10V Dimming

9 Color Select Designation

A	3500K, 4000K, 5000K
B	3000K, 4000K, 5000K
C	3000K, 3500K, 4000K, 5000K
D	TBD