



**FUTURE FIT**  
LINEAR LED KITS WITH ALUMAGROOVE

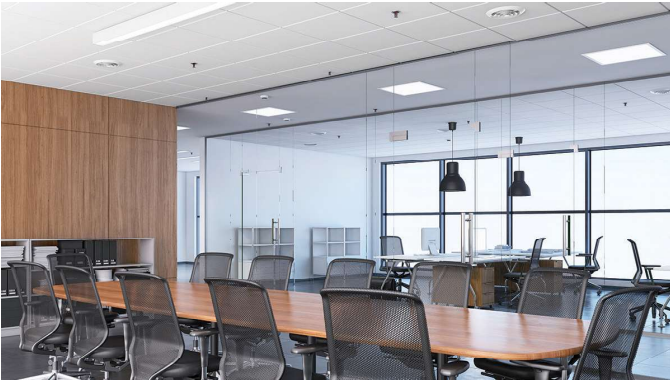
## KT-RKIT31PS-2AG22-8XX-VDIM

### POWER-SELECTABLE LED RETROFIT KIT



RoHS  
Compliant

10YEAR  
WARRANTY



#### DESCRIPTION

UL 1598C Classified LED retrofit kit. Includes the following components:

- (1) Power-Selectable LED Driver • (2) 22" Alumagroove LED Modules • (2) Lenses
- Mounting Accessories (Jumper Wires, Tek Screws, Power Quick-Disconnect)

#### APPLICATION

Suitable for use in troffers, wraps, strips, vapor tight, and other fixture types

#### SYSTEM FEATURES

- Power/lumens are selectable via DIP switch
- For use in Class 2 lighting systems
- High lumen density design
- Completely heat sunked; No additional heat sinking needed to maintain LED lifetime
- UL classified for field installation
- 2835 LED chip package
- Beam angle: 120°
- Low-profile WAGO push connectors located on bottom of modules to eliminate dark spots on end-to-end connections
- 120–277V input; High power factor; 0–10V dimming
- Meets FCC Part 15 Class B (consumer) limit for EMI
- Operating temperature: –20°C/–4°F to 55°C/131°F
- THD: <20%



# KT-RKIT31PS-2AG22-8XX-VDIM

## POWER-SELECTABLE LED RETROFIT KIT

### PERFORMANCE SPECIFICATIONS

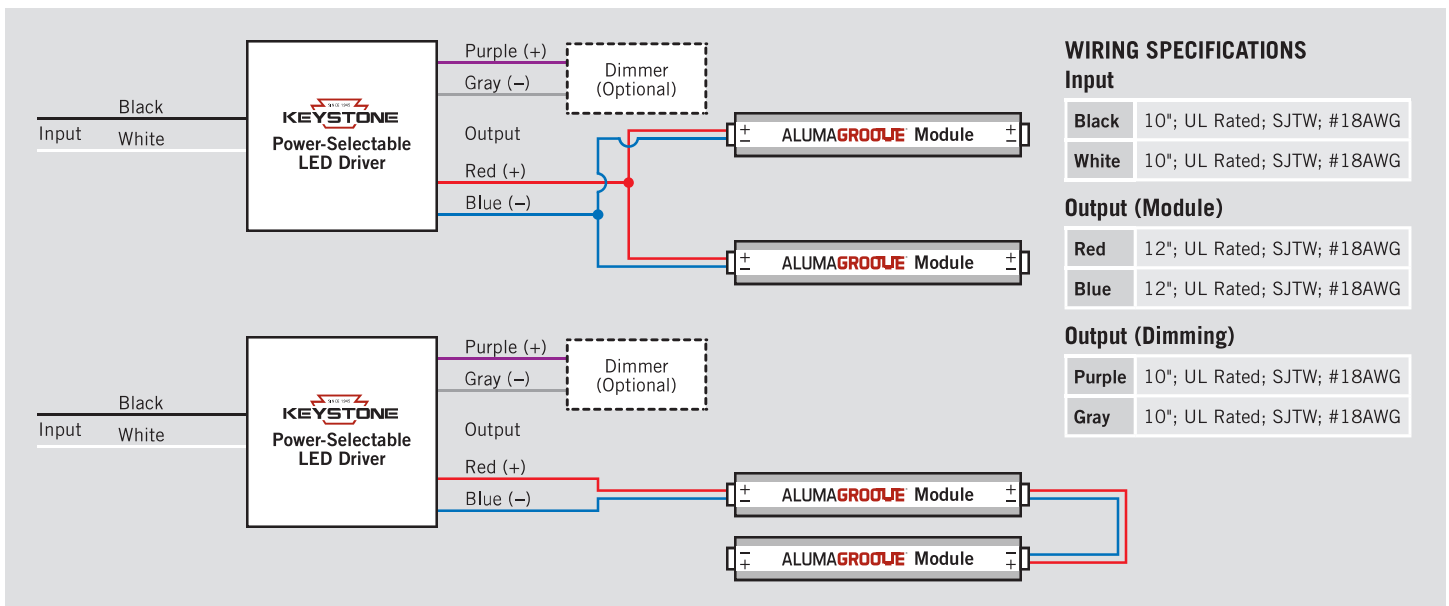
2' LINEAR KIT • 80 CRI • SWITCHABLE BETWEEN 3,000 LM, 4,000 LM, AND 5,000 LM • 0-10V DIMMING

**KIT SPECIFICATIONS:** Driver: KTLD-34-UV-PS1000-34-VDIM-LA1  
 Module: KTAG-22L-700-30-8XX-RJ  
 Lens: KTAG-22L-LENS

Color Temp	Input Voltage	CRI	No. of Modules	Total System Drive Current	Drive Current per Module	Total System Lumens	Total Module Power	Module Efficacy	Driver Efficiency	Total System Power	Total System Efficacy
<b>Set at 3,000 lm</b>											
3500K	120-277V	>80	2	570mA	285mA	2907 lm	15.1W	194 lm/W	86%	17.6W	165 lm/W
4000K	120-277V	>80	2	570mA	285mA	2936 lm	15.1W	196 lm/W	86%	17.6W	167 lm/W
5000K	120-277V	>80	2	570mA	285mA	2997 lm	15.1W	199 lm/W	86%	17.6W	170 lm/W
<b>Set at 4,000 lm</b>											
3500K	120-277V	>80	2	780mA	390mA	3868 lm	21.0W	184 lm/W	86%	24.4W	159 lm/W
4000K	120-277V	>80	2	780mA	390mA	3909 lm	21.0W	186 lm/W	86%	24.4W	160 lm/W
5000K	120-277V	>80	2	780mA	390mA	3989 lm	21.0W	190 lm/W	86%	24.4W	164 lm/W
<b>Set at 5,000 lm*</b>											
3500K	120-277V	>80	2	990mA	495mA	4964 lm	27.1W	184 lm/W	86%	31.5W	158 lm/W
4000K	120-277V	>80	2	990mA	495mA	5014 lm	27.1W	186 lm/W	86%	31.5W	159 lm/W
5000K	120-277V	>80	2	990mA	495mA	5116 lm	27.1W	190 lm/W	86%	31.5W	162 lm/W

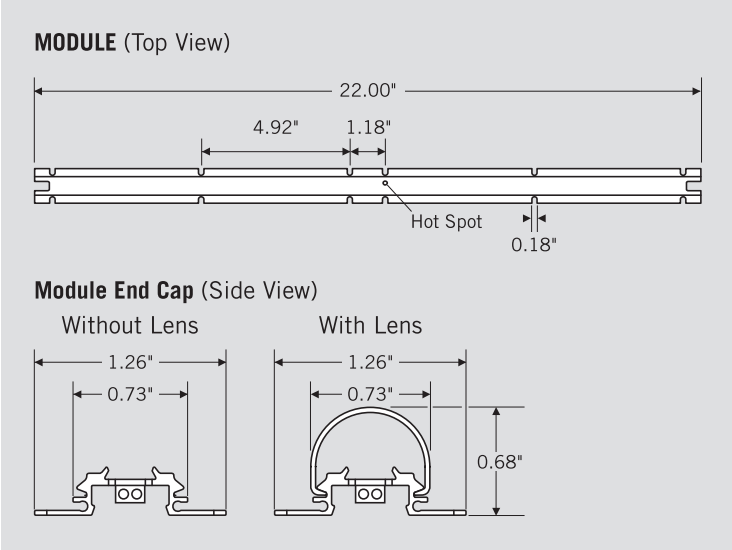
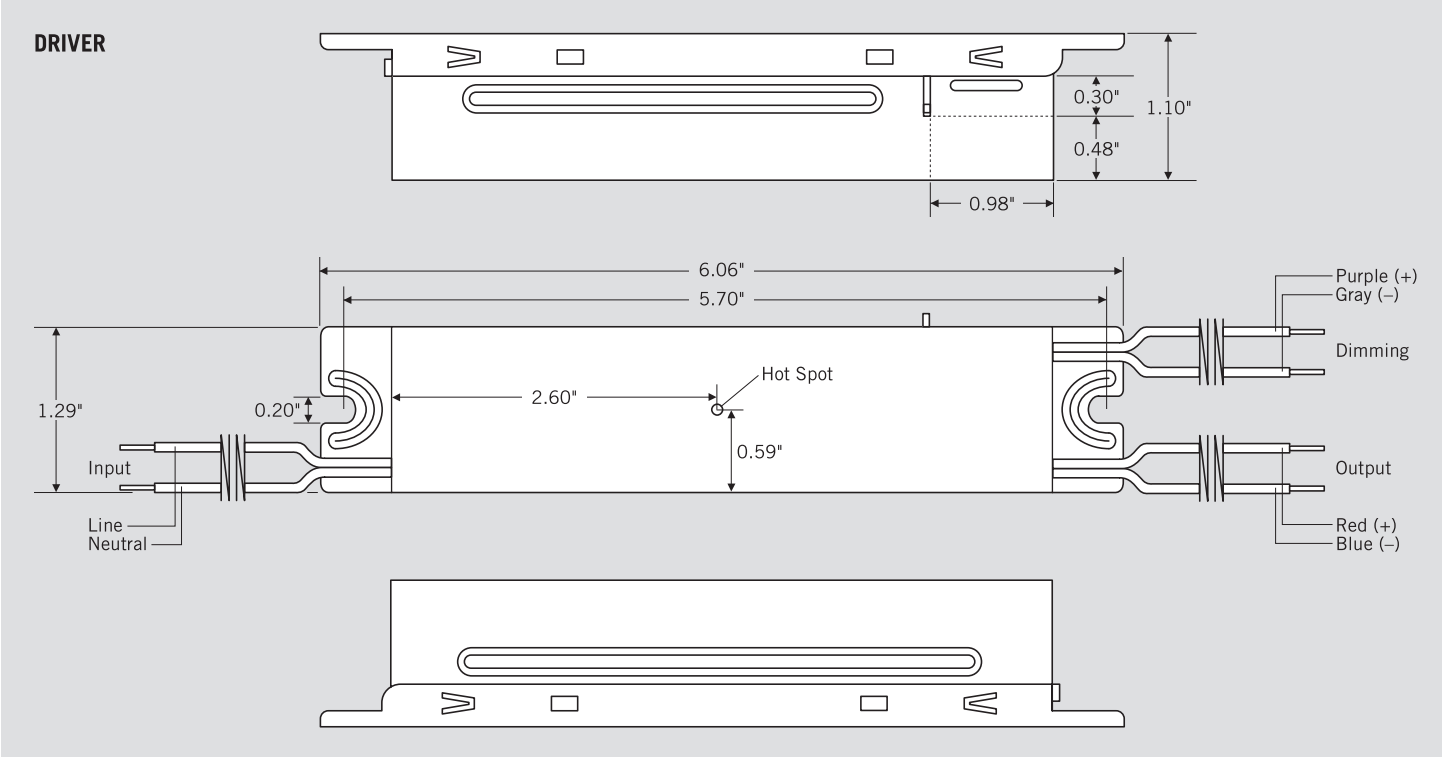
\* Default setting

### WIRING



**KT-RKIT31PS-2AG22-8XX-VDIM**  
POWER-SELECTABLE LED RETROFIT KIT

**PHYSICAL SPECIFICATIONS**





# KT-RKIT31PS-2AG22-8XX-VDIM

## POWER-SELECTABLE LED RETROFIT KIT

### ORDERING INFORMATION

ORDER CODE	PACK QTY.	EASY CODE	UPC
KT-RKIT31PS-2AG22-835-VDIM	20	FON-37	843654128177
KT-RKIT31PS-2AG22-840-VDIM	20	PWZ-45	843654128184
KT-RKIT31PS-2AG22-850-VDIM	20	KOU-99	843654128191

### CATALOG NUMBER BREAKDOWN

# KT-RKIT31PS-2AG22-8XX-VDIM

1 2 3 4 5 6 7 8 9

- 1 Keystone Technologies
- 2 Retrofit Kit
- 3 Wattage
- 4 Power Select
- 5 Number of Modules
- 6 22" Alumagroove Modules
- 7 80 CRI
- 8 Color Temperature
- 9 0-10V Dimming