



FUTURE FIT
LINEAR LED KITS WITH ALUMAGROOVE



KT-RKIT35PS-2AG44-8XX-VDIM

POWER-SELECTABLE LED RETROFIT KIT



RoHS
Compliant



10 YEAR
WARRANTY



DESCRIPTION

UL 1598C Classified LED retrofit kit. Includes the following components:

- (1) Power-Selectable LED Driver • (2) 44" Alumagroove LED Modules • (2) Lenses
- Mounting Accessories (Jumper Wires, Tek Screws, Power Quick-Disconnect)

APPLICATION

Suitable for use in troffers, wraps, strips, vapor tights, and other fixture types

SYSTEM FEATURES

- Power/lumens are selectable via DIP switch
- For use in Class 2 lighting systems
- High lumen density design
- Completely heat sunked; No additional heat sinking needed to maintain LED lifetime
- UL classified for field installation
- 2835 LED chip package
- Beam angle: 120°
- Low-profile WAGO push connectors located on bottom of modules to eliminate dark spots on end-to-end connections
- 120–277V input; High power factor; 0–10V dimming
- Meets FCC Part 15 Class B (consumer) limit for EMI
- Operating temperature: –20°C/–4°F to 55°C/131°F
- THD: < 20%
- Low flicker LED driver



KT-RKIT35PS-2AG44-8XX-VDIM

POWER-SELECTABLE LED RETROFIT KIT

PERFORMANCE SPECIFICATIONS

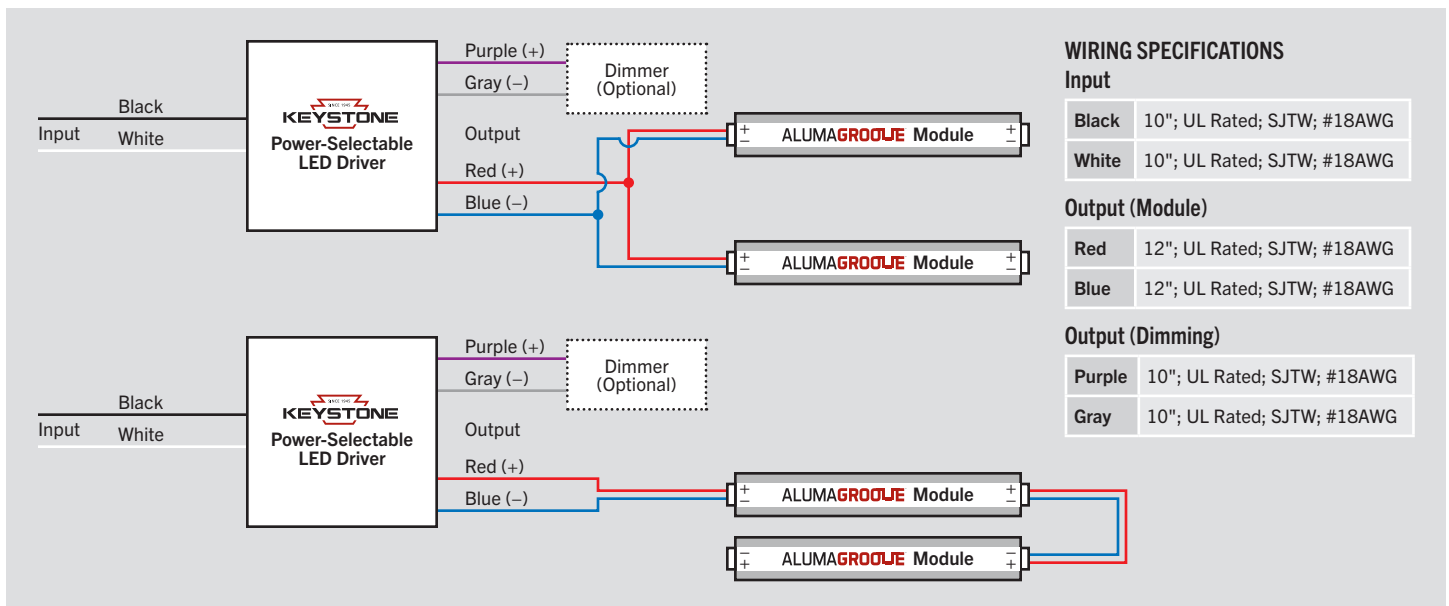
4' LINEAR KIT • 80 CRI • SWITCHABLE BETWEEN 4,000 LM, 5,000 LM, AND 6,000 LM • 0-10V DIMMING

KIT SPECIFICATIONS: Driver: KTLD-40-UV-PS1150-34-VDIM-LA1
 Module: KTAG-44L-1400-30-8XX-RJ
 Lens: KTAG-44L-LENS

| Color Temp | Input Voltage | CRI | No. of Modules | Total System Drive Current | Drive Current per Module | Total System Lumens | Total Module Power | Module Efficacy | Driver Efficiency | Total System Power | Total System Efficacy |
|-------------------------|---------------|-----|----------------|----------------------------|--------------------------|---------------------|--------------------|-----------------|-------------------|--------------------|-----------------------|
| Set at 4,000 lm | | | | | | | | | | | |
| 3500K | 120-277V | >80 | 2 | 760mA | 380mA | 3979 lm | 20.0W | 199 lm/W | 88% | 22.7W | 175 lm/W |
| 4000K | 120-277V | >80 | 2 | 760mA | 380mA | 4009 lm | 20.0W | 200 lm/W | 88% | 22.7W | 177 lm/W |
| 5000K | 120-277V | >80 | 2 | 760mA | 380mA | 4049 lm | 20.0W | 202 lm/W | 88% | 22.7W | 178 lm/W |
| Set at 5,000 lm | | | | | | | | | | | |
| 3500K | 120-277V | >80 | 2 | 960mA | 480mA | 4950 lm | 25.6W | 193 lm/W | 88% | 29.1W | 170 lm/W |
| 4000K | 120-277V | >80 | 2 | 960mA | 480mA | 4987 lm | 25.6W | 195 lm/W | 88% | 29.1W | 171 lm/W |
| 5000K | 120-277V | >80 | 2 | 960mA | 480mA | 5087 lm | 25.6W | 199 lm/W | 88% | 29.1W | 175 lm/W |
| Set at 6,000 lm* | | | | | | | | | | | |
| 3500K | 120-277V | >80 | 2 | 1150mA | 575mA | 5890 lm | 31.1W | 190 lm/W | 88% | 35.3W | 167 lm/W |
| 4000K | 120-277V | >80 | 2 | 1150mA | 575mA | 5936 lm | 31.1W | 191 lm/W | 88% | 35.3W | 168 lm/W |
| 5000K | 120-277V | >80 | 2 | 1150mA | 575mA | 6036 lm | 31.1W | 194 lm/W | 88% | 35.3W | 171 lm/W |

* Default setting

WIRING

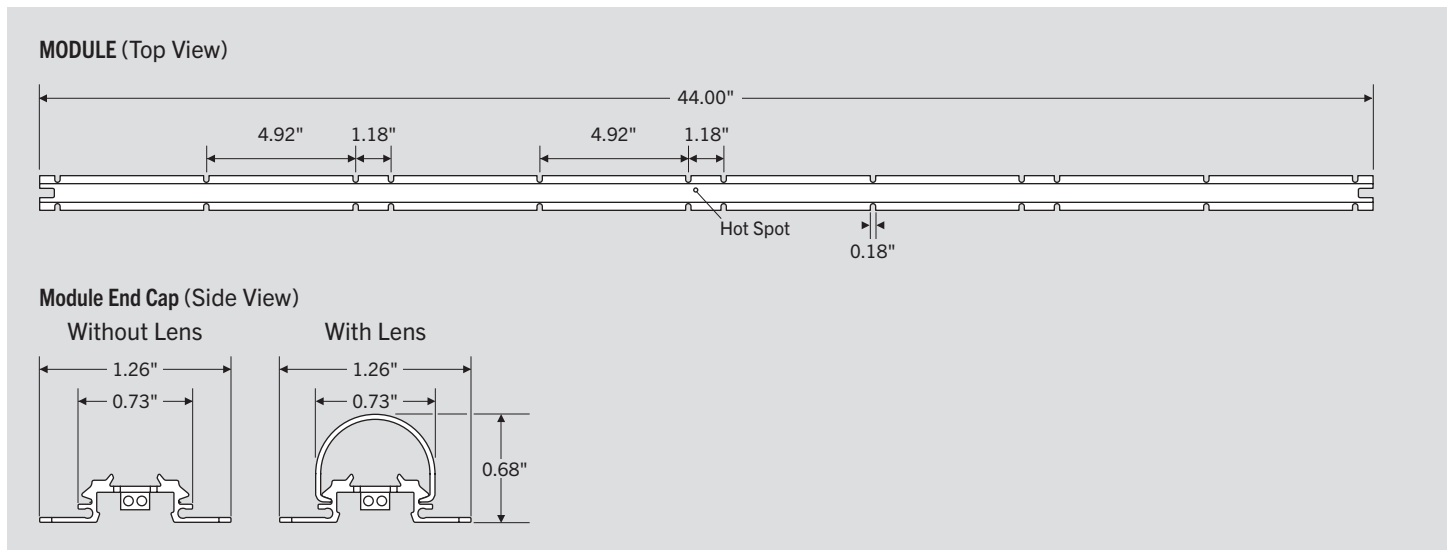
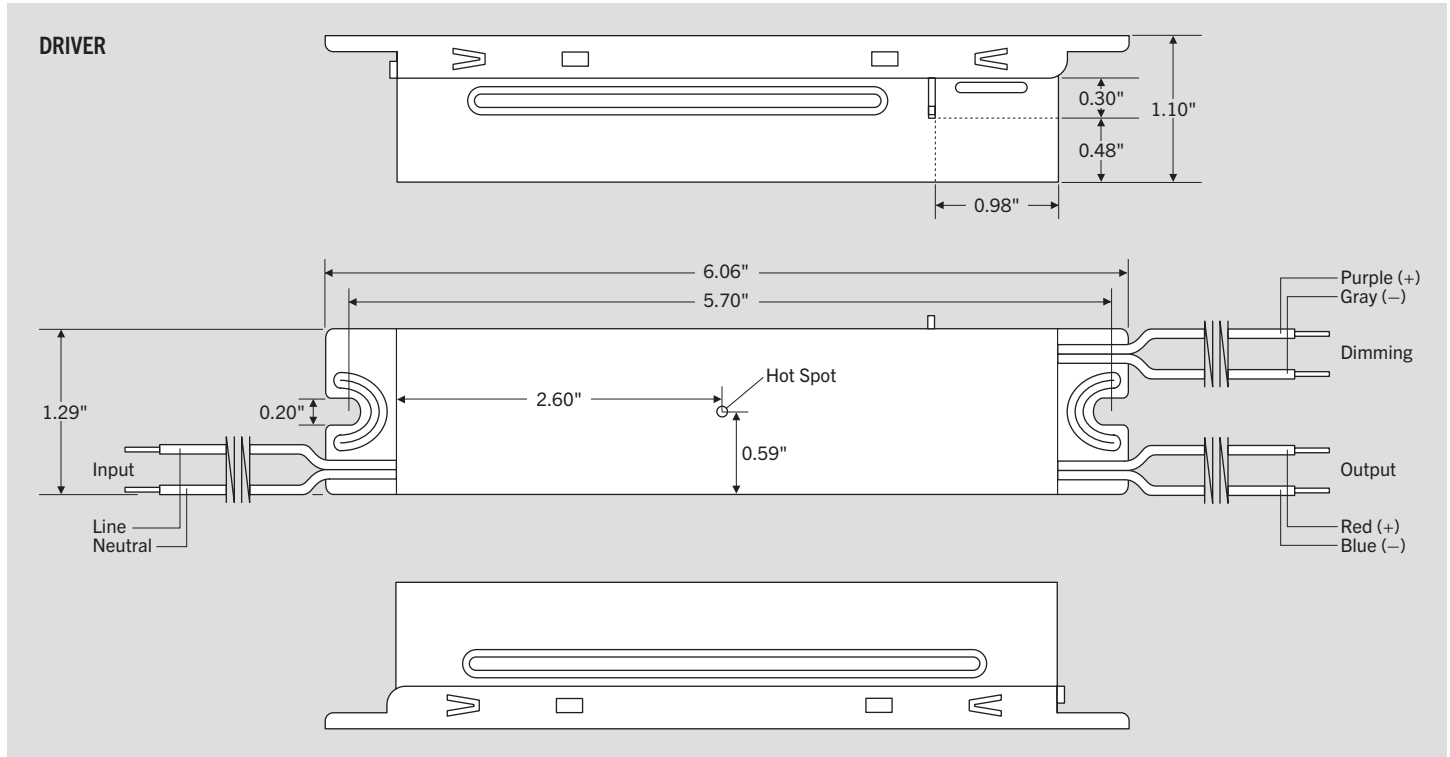




KT-RKIT35PS-2AG44-8XX-VDIM

POWER-SELECTABLE LED RETROFIT KIT

PHYSICAL SPECIFICATIONS





KT-RKIT35PS-2AG44-8XX-VDIM

POWER-SELECTABLE LED RETROFIT KIT

ORDERING INFORMATION

| ORDER CODE | PACK QTY. | EASY CODE | UPC |
|----------------------------|-----------|-----------|--------------|
| KT-RKIT35PS-2AG44-835-VDIM | 20 | PHG-10 | 843654128146 |
| KT-RKIT35PS-2AG44-840-VDIM | 20 | MLL-80 | 843654128153 |
| KT-RKIT35PS-2AG44-850-VDIM | 20 | TGE-36 | 843654128160 |

CATALOG NUMBER BREAKDOWN

KT-RKIT35PS-2AG44-8XX-VDIM

1 2 3 4 5 6 7 8 9

- 1 Keystone Technologies
- 2 Retrofit Kit
- 3 Wattage
- 4 Power Select
- 5 Number of Modules
- 6 11" Alumagroove Modules
- 7 80 CRI
- 8 Color Temperature
- 9 0–10V Dimming