

# KT-RKIT55PS-8S-8CSA-VDIM

## 8' LED RETROFIT STRIP KIT

### DESCRIPTION

8' LED Retrofit Strip Kit | 120-277V | 0-10V Dimming



**5 YEAR**  
WARRANTY



### PRODUCT FEATURES

- Features Keystone Color Select technology. Adjust CCT between 3500K, 4000K, or 5000K
- Features Keystone Power Select technology. Adjust power between 55W, 46W, and 35W
- Used to upgrade existing 4" - 5.25" wide strip fixtures without modifying the existing fixture mounting"
- Powered by Keystone 0 –10V dimming LED drivers
- Ambient operating temperature: -20°C/-4°F to 50°C/122°F
- Compatible with Keystone SmartSafe emergency backups
- Low optical flicker
- THD: < 20%
- Power factor > 0.95
- Compatible with Keystone occupancy sensors

### POWER AND COLOR TEMPERATURE SELECTABILITY

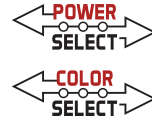
- Keystone Color Select Technology: Adjustable CCT (3500K/4000K/5000K)
- Keystone Power Select Technology: Adjustable Wattage (55W/46W/35W)

### PRODUCT SPECIFICATIONS

Catalog Number	Input Voltage	Wattage	CCT	Lumen Output	Efficacy	CRI	Power Factor	Lifetime
KT-RKIT55PS-8S-8CSA-VDIM	120-277V	55W	3500K	7,150	130 lm/W	> 80	> 0.90	50,000 hrs
			4000K	7,205	131 lm/W			
			5000K	7,260	132 lm/W			
		46W	3500K	6,256	136 lm/W			
			4000K	6,302	137 lm/W			
			5000K	6,348	138 lm/W			
		35W	3500K	4,865	139 lm/W			
			4000K	4,900	140 lm/W			
			5000K	4,935	141 lm/W			

### ONE CATALOG NUMBER WITH 9 DIFFERENT OPTIONS

\* Preset to highest lumen output (55W / 5000K)  
 \* Color Uniformity: CCT (Correlated Color Temperature) range as per guidelines outlined in ANSI C78.377-2017.

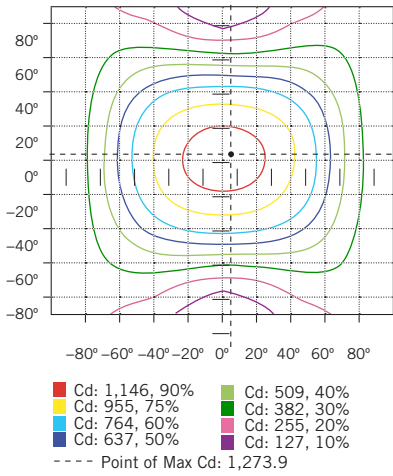


# KT-RKIT55PS-8S-8CSA-VDIM

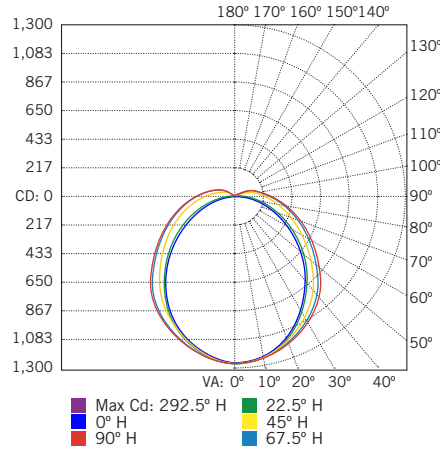
## 8' LED RETROFIT STRIP KIT

### PHOTOMETRIC SPECIFICATIONS

#### ISOCANDELA PLOT



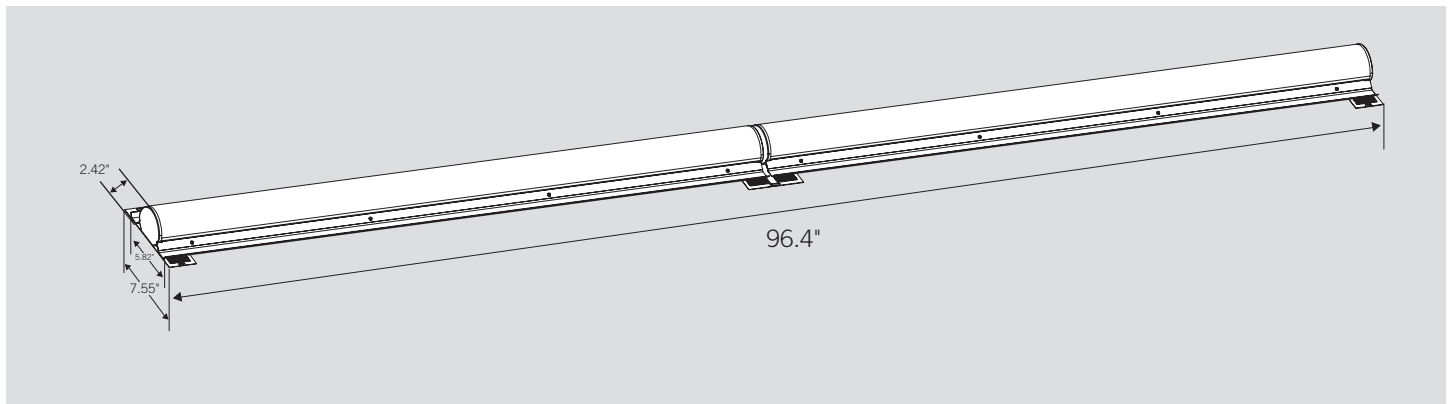
#### POLAR CANDELA DISTRIBUTION

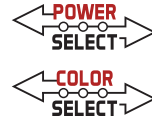


#### ZONAL LUMEN SUMMARY

Zone	Lumens	% Luminaire
0-60	2,796.1	66.80%
60-90	1,073.9	25.70%
0-90	3,869.9	92.50%
90-180	313.2	7.50%
0-180	4,183.1	100%

### PHYSICAL SPECIFICATIONS





# KT-RKIT55PS-8S-8CSA-VDIM

## 8' LED RETROFIT STRIP KIT

**ADDITIONAL ACCESSORIES (SOLD SEPARATELY)**

Catalog Number	Description
KT-EMRG-LED-5C-500	LED Emergency Back-Up, 5W Constant Wattage Design, Approx 500 lumens.
KT-EMRG-LED-12C-1200	LED Emergency Back-Up, 12W Constant Wattage Design, Approx 1200 lumens.

**ORDERING INFORMATION**

Catalog Number	Pack Quantity	Easy Code	UPC
KT-RKIT55PS-8S-8CSA-VDIM	TBD	IAY-20	843654134871

**CATALOG NUMBER BREAKDOWN**

# KT-RKIT55PS-8S-8CSA-VDIM

1
2
3
4
5
6
7
8
9
10

- 1** Keystone Technologies
- 2** Retrofit Kit
- 3** Wattage
- 4** Power Select
- 5** 8' Nominal Length
- 6** Strip Kit
- 7** 800 Series
- 8** Color Select
- 9** Color Select Designation
- 10** 0-10V Dimming

**9 Color Select Designation**

A	3500K, 4000K, 5000K
---	---------------------