



KT-SMLEDXXPS-XRB-9CSF-CDIM

ROUND SURFACE MOUNT DOWNLIGHT

DESCRIPTION

LED Round Surface Mount Downlight | Power Select Technology | Color Select Technology

APPLICATION

Ideal for residential, hospitality, retail, office, and other retrofit and new construction applications



PRODUCT FEATURES

- Keystone Power Select technology (see *Performance Specifications* for details)
- Keystone Color Select technology (2700/3000/3500/4000/5000K)
- Slim, integrated design mounts directly to j-box
- Features twist-lock mounting plate for simple installation
- Ideal for new construction and remodel applications
- Various sizes and wattages available
- Diffused lens for visual comfort and reduced glare
- Smooth, uniform tri-mode dimming (0-10V/TRIAC/ELV), dimmable to 10%
- Suitable for wet locations. Covered ceiling mount only
- PF > 0.9
- Operating temperature range: -4°F/-20°C to 104°F/40°C
- ETL Listed
- ENERGY STAR Downlights V1.0 Certified (5"/7"/9" only)
- T24/JA8 2022 compliant
- Complies with Part 15 of FCC

PRODUCT IMAGES





KT-SMLEDXXPS-XRB-9CSF-CDIM

ROUND SURFACE MOUNT DOWNLIGHT

PERFORMANCE SPECIFICATIONS

Catalog Number	Size	Selectable Wattage	Selectable CCT*	Lumen Output	Efficacy	Input Voltage	CRI	Beam Angle	Lifetime
KT-SMLED10PS-5RB-9CSF-CDIM	5" round	10W	2700K	820	82 lm/W	120-277V	> 90	105°	50,000 hrs
			3000K	840	84 lm/W				
			3500K	870	87 lm/W				
			4000K	900	90 lm/W				
			5000K	920	92 lm/W				
		8W	2700K	660	83 lm/W				
			3000K	670	84 lm/W				
			3500K	700	87 lm/W				
			4000K	720	90 lm/W				
			5000K	740	93 lm/W				
KT-SMLED14PS-7RB-9CSF-CDIM	7" round	14W	2700K	1,160	83 lm/W	120-277V	> 90	105°	50,000 hrs
			3000K	1,200	86 lm/W				
			3500K	1,250	89 lm/W				
			4000K	1,270	91 lm/W				
			5000K	1,300	93 lm/W				
		12W	2700K	1,000	83 lm/W				
			3000K	1,030	86 lm/W				
			3500K	1,070	89 lm/W				
			4000K	1,100	92 lm/W				
			5000K	1,120	93 lm/W				
KT-SMLED16PS-9RB-9CSF-CDIM	9" round	16W	2700K	1,360	85 lm/W	120-277V	> 90	105°	50,000 hrs
			3000K	1,400	88 lm/W				
			3500K	1,440	90 lm/W				
			4000K	1,480	93 lm/W				
			5000K	1,520	95 lm/W				
		14W	2700K	1,190	85 lm/W				
			3000K	1,220	87 lm/W				
			3500K	1,250	89 lm/W				
			4000K	1,280	91 lm/W				
			5000K	1,310	94 lm/W				

*Preset to 2700K

Color Uniformity: CCT (Correlated Color Temperature) range as per guidelines outlined in ANSI C78.377-2017



KT-SMLEDXXPS-XRB-9CSF-CDIM

ROUND SURFACE MOUNT DOWNLIGHT

PERFORMANCE SPECIFICATIONS (CONTINUED)

Catalog Number	Size	Selectable Wattage	Selectable CCT*	Lumen Output	Efficacy	Input Voltage	CRI	Beam Angle	Lifetime
KT-SMLED20PS-12RB-9CSF-CDIM	12" round	20W	2700K	1,700	85 lm/W	120-277V	> 90	105°	50,000 hrs
			3000K	1,750	88 lm/W				
			3500K	1,800	90 lm/W				
			4000K	1,850	93 lm/W				
			5000K	1,900	95 lm/W				
		18W	2700K	1,530	85 lm/W				
			3000K	1,570	87 lm/W				
			3500K	1,610	89 lm/W				
			4000K	1,650	92 lm/W				
			5000K	1,690	94 lm/W				
KT-SMLED24PS-15RB-9CSF-CDIM	15" round	24W	2700K	2,200	92 lm/W	120-277V	> 90	105°	50,000 hrs
			3000K	2,260	94 lm/W				
			3500K	2,320	97 lm/W				
			4000K	2,380	99 lm/W				
			5000K	2,380	99 lm/W				
		20W	2700K	1,840	92 lm/W				
			3000K	1,890	95 lm/W				
			3500K	1,940	97 lm/W				
			4000K	2,000	100 lm/W				
			5000K	2,000	100 lm/W				

*Preset to 2700K

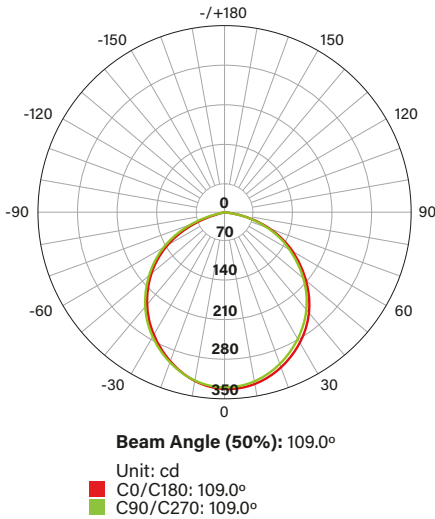
Color Uniformity: CCT (Correlated Color Temperature) range as per guidelines outlined in ANSI C78.377-2017

KT-SMLEDXXPS-XRB-9CSF-CDIM

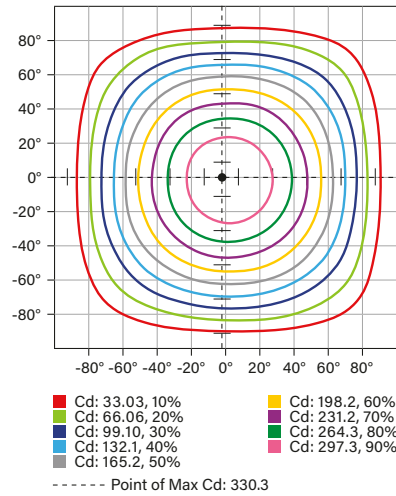
ROUND SURFACE MOUNT DOWNLIGHT

PHOTOMETRIC SPECIFICATIONS

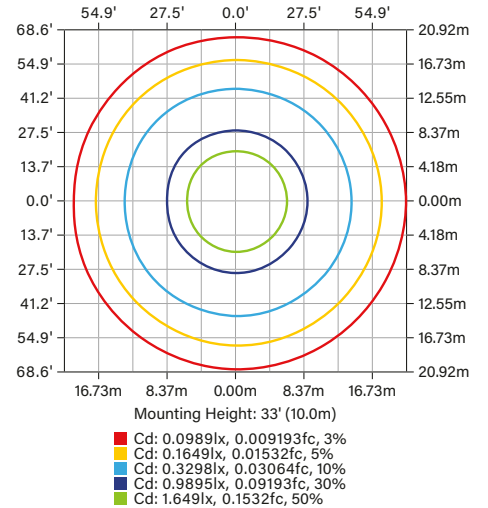
KT-SMLED10PS-5RB-9CSF-CDIM POLAR CANDELA DISTRIBUTION



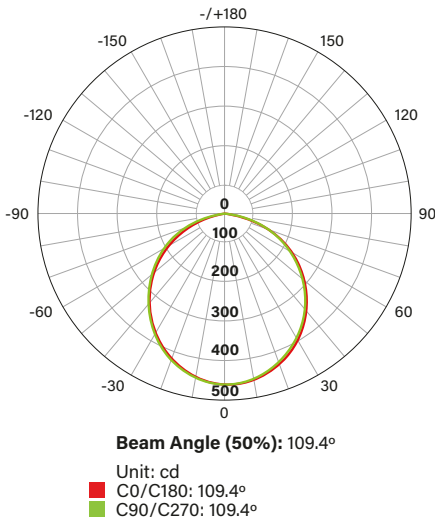
ISOCANDELA PLOT



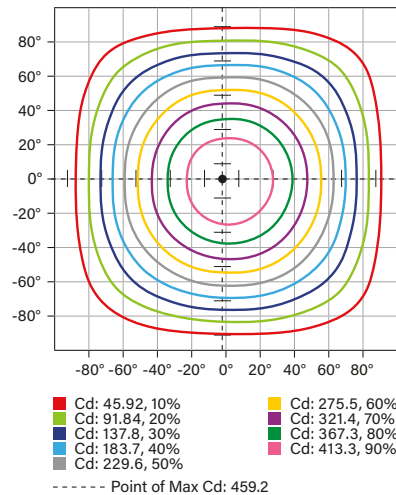
ISOLUX DIAGRAM



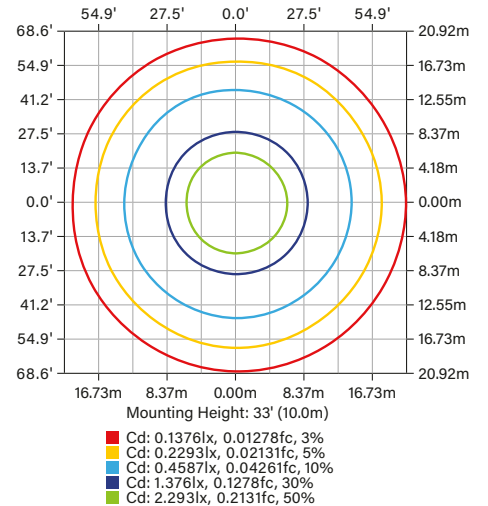
KT-SMLED14PS-7RB-9CSF-CDIM POLAR CANDELA DISTRIBUTION



ISOCANDELA PLOT



ISOLUX DIAGRAM

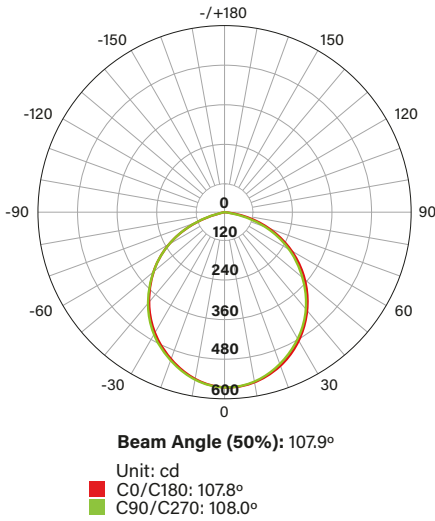


KT-SMLEDXXPS-XRB-9CSF-CDIM

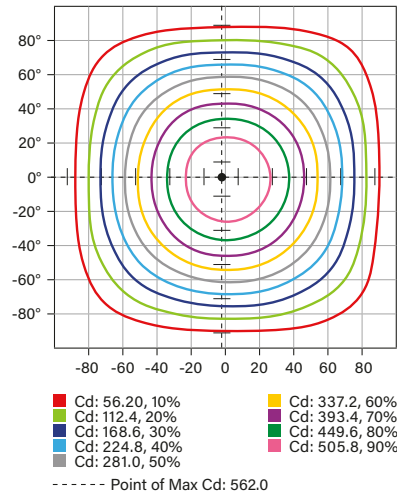
ROUND SURFACE MOUNT DOWNLIGHT

PHOTOMETRIC SPECIFICATIONS (CONTINUED)

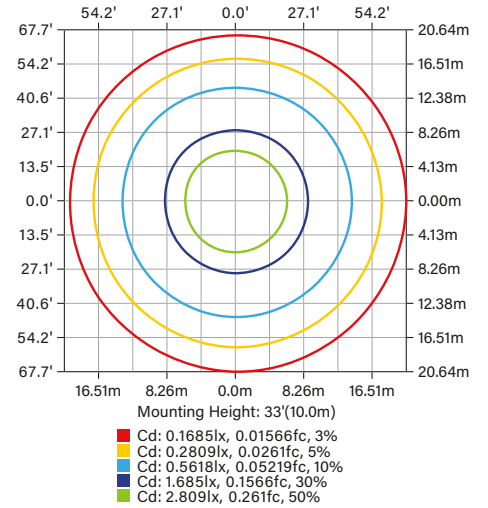
KT-SMLED16PS-9RB-9CSF-CDIM POLAR CANDELA DISTRIBUTION



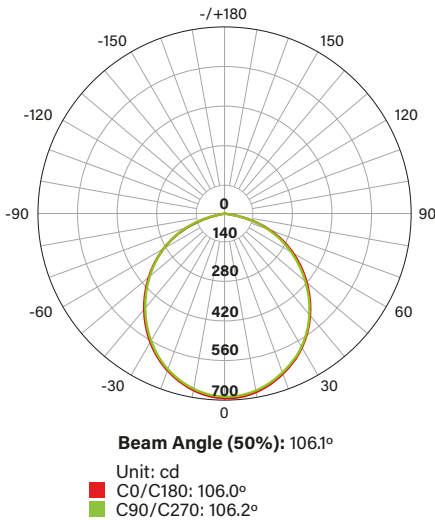
ISOCANDELA PLOT



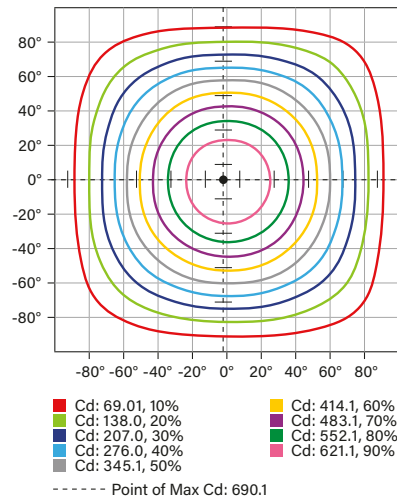
ISOLUX DIAGRAM



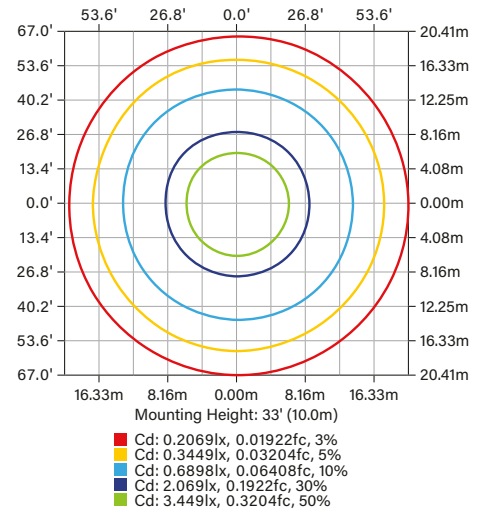
KT-SMLED20PS-12RB-9CSF-CDIM POLAR CANDELA DISTRIBUTION



ISOCANDELA PLOT



ISOLUX DIAGRAM

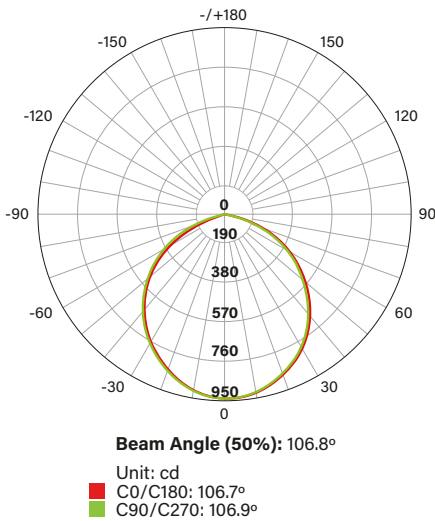


KT-SMLEDXXPS-XRB-9CSF-CDIM

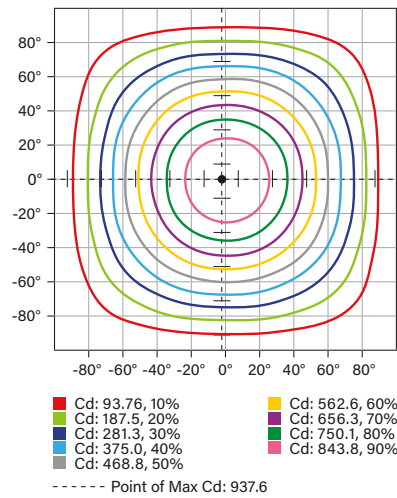
ROUND SURFACE MOUNT DOWNLIGHT

PHOTOMETRIC SPECIFICATIONS (CONTINUED)

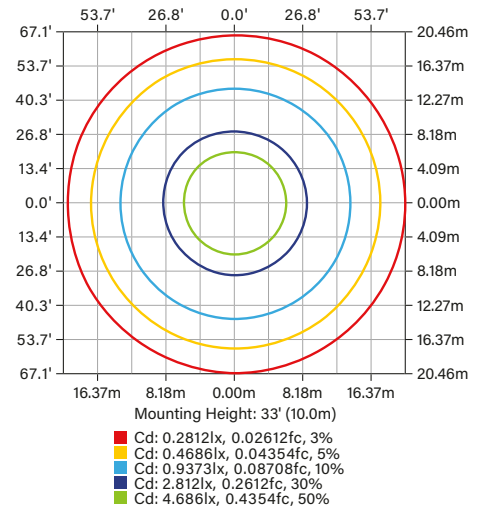
KT-SMLED24PS-15RB-9CSF-CDIM POLAR CANDELA DISTRIBUTION



ISOCANDELA PLOT

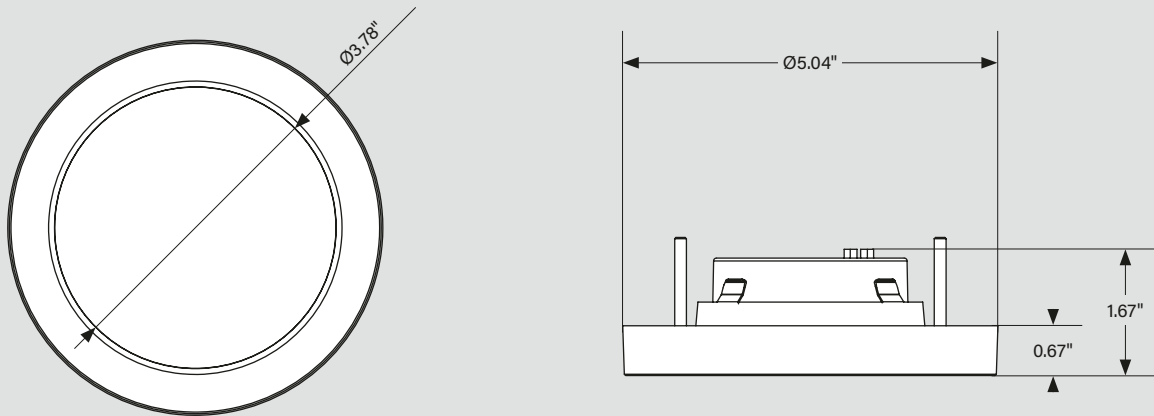


ISOLUX DIAGRAM



PHYSICAL SPECIFICATIONS

KT-SMLED10PS-5RB-9CSF-CDIM

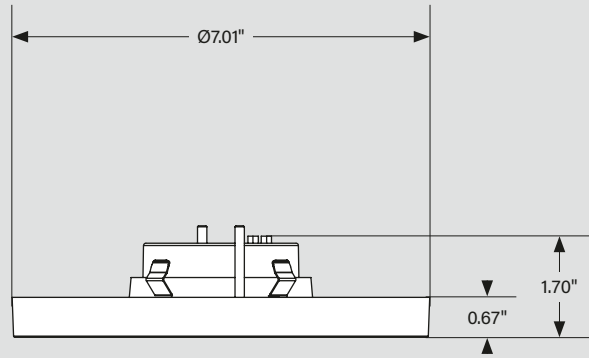
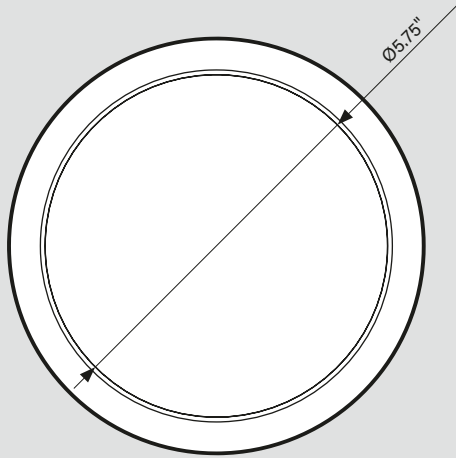


KT-SMLEDXXPS-XRB-9CSF-CDIM

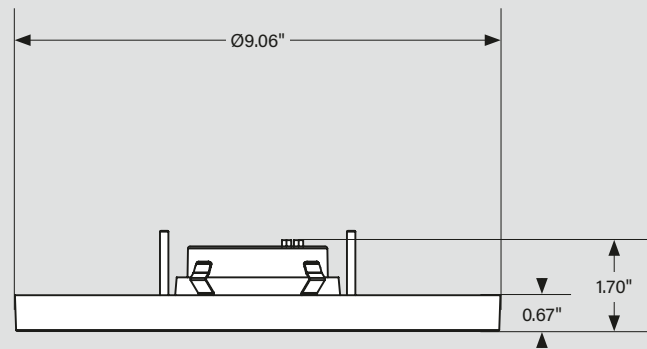
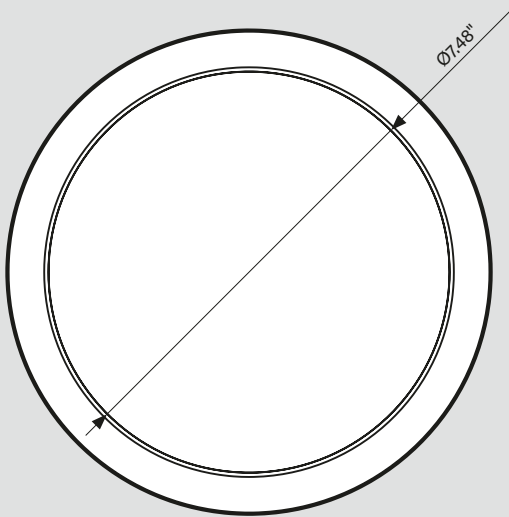
ROUND SURFACE MOUNT DOWNLIGHT

PHYSICAL SPECIFICATIONS (CONTINUED)

KT-SMLED14PS-7RB-9CSF-CDIM



KT-SMLED16PS-9RB-9CSF-CDIM

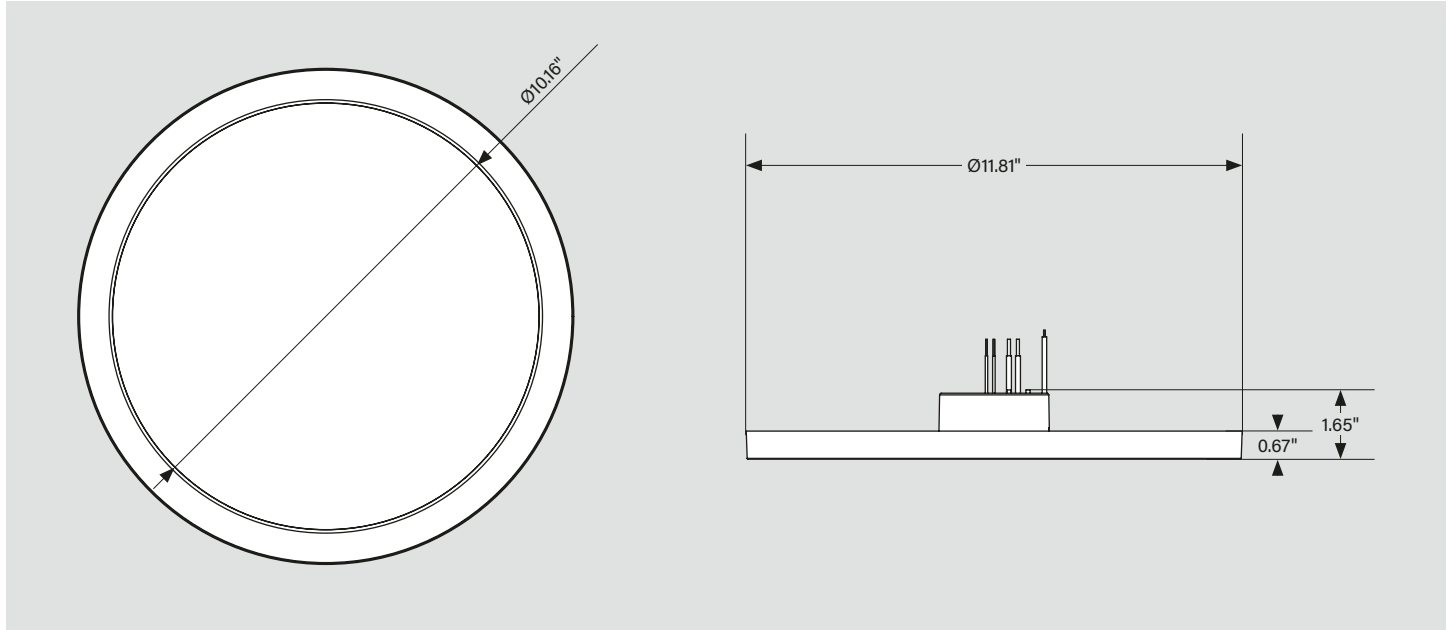


KT-SMLEDXXPS-XRB-9CSF-CDIM

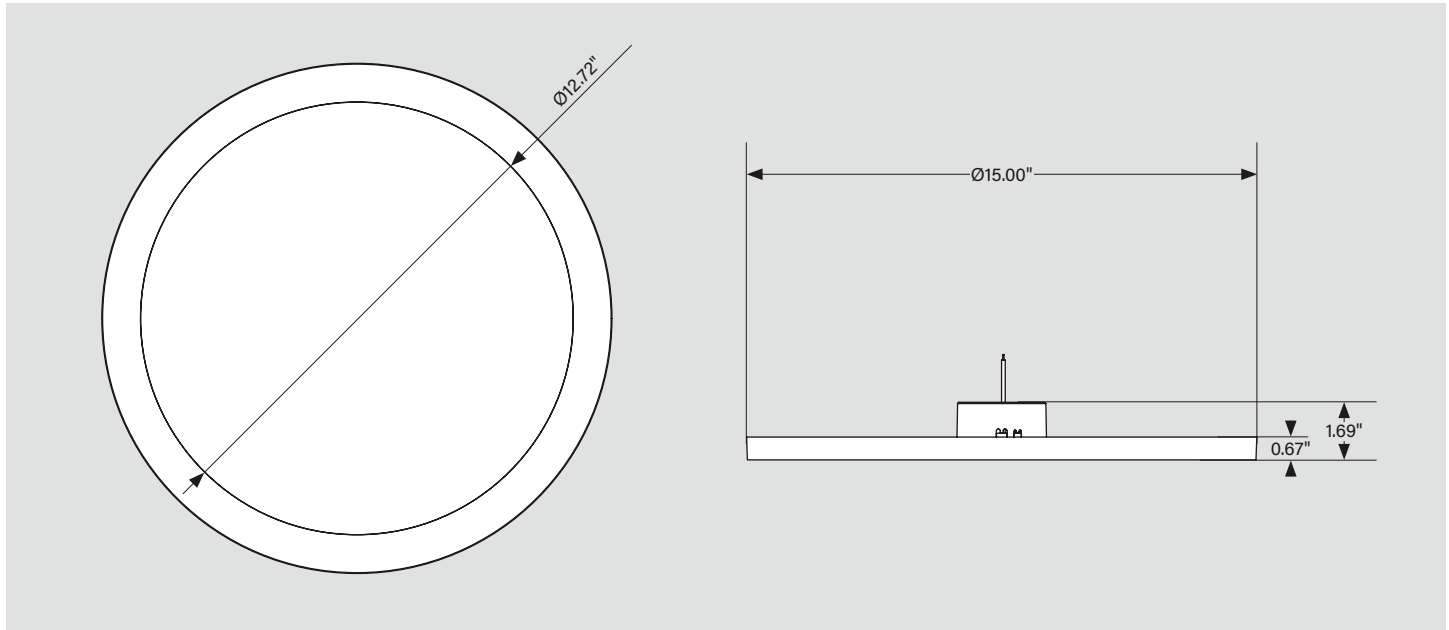
ROUND SURFACE MOUNT DOWNLIGHT

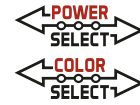
PHYSICAL SPECIFICATIONS (CONTINUED)

KT-SMLED20PS-12RB-9CSF-CDIM



KT-SMLED24PS-15RB-9CSF-CDIM



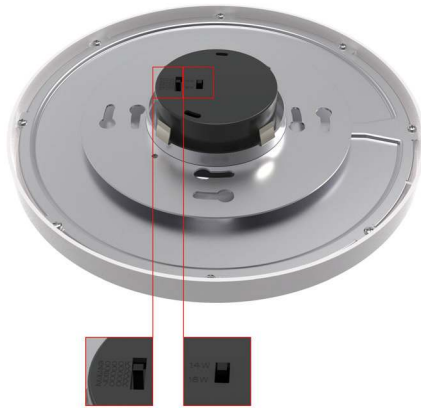


KT-SMLEDXXPS-XRB-9CSF-CDIM

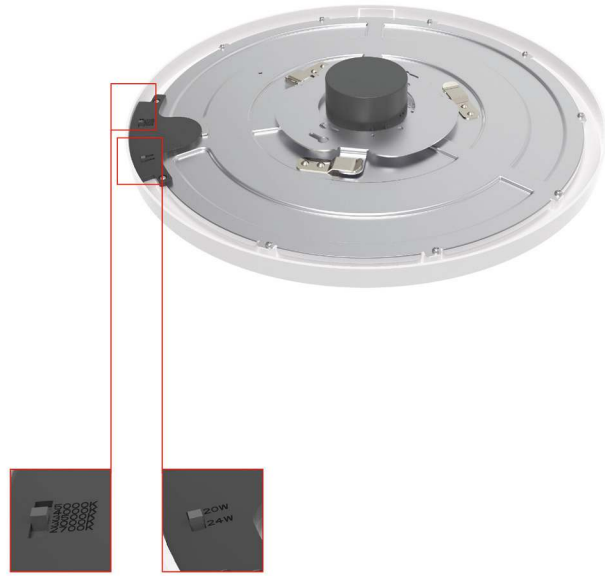
ROUND SURFACE MOUNT DOWNLIGHT

POWER SELECT AND COLOR SELECT (CCT) ADJUSTMENT

- KT-SMLED10PS-5RB-9CSF-CDIM
- KT-SMLED14PS-7RB-9CSF-CDIM
- KT-SMLED16PS-9RB-9CSF-CDIM
- KT-SMLED20PS-12RB-9CSF-CDIM



KT-SMLED24PS-15RB-9CSF-CDIM



Preset to highest wattage/2700K

COMPATIBLE JUNCTION BOXES

Type	Junction Box					
	TP316 for Non-Metallic Cable	Octagon Steel		Square Steel		Square Plastic
Dimensions	4" x 4" x 2-1/8"	4" x 4" x 2-1/8"	4" x 4" x 1-1/2"	4" x 4" x 2-1/8"	4" x 4" x 1-1/2"	4" x 4" x 3"
Compatible Fixtures						
KT-SMLED10PS-5RB-9CSF-CDIM	✓	✓	✓			
KT-SMLED14PS-7RB-9CSF-CDIM	✓	✓	✓	✓	✓	✓
KT-SMLED16PS-9RB-9CSF-CDIM	✓	✓	✓	✓	✓	✓
KT-SMLED20PS-12RB-9CSF-CDIM	✓	✓	✓	✓	✓	✓
KT-SMLED24PS-15RB-9CSF-CDIM	✓	✓	✓	✓	✓	✓



KT-SMLEDXXPS-XRB-9CSF-CDIM

ROUND SURFACE MOUNT DOWNLIGHT

ORDERING INFORMATION

Catalog Number	Pack Qty.	Weight	UPC	Easy Code
KT-SMLED10PS-5RB-9CSF-CDIM	8	7.98 lbs	843654170565	GPX-22
KT-SMLED14PS-7RB-9CSF-CDIM	8	13.23 lbs	843654170572	ZPK-84
KT-SMLED16PS-9RB-9CSF-CDIM	8	17.95 lbs	843654170589	DHC-14
KT-SMLED20PS-12RB-9CSF-CDIM	6	15.43 lbs	843654170596	AOV-61
KT-SMLED24PS-15RB-9CSF-CDIM	6	18.08 lbs	843654170602	GZI-92

CATALOG NUMBER BREAKDOWN

KT-SMLEDXXPS-XRB-9CSF-CDIM

1
2
3
4
5
6
7
8
9
10
11
12

<p>1 Keystone Technologies</p> <p>2 Fixture Type</p> <p>3 LED Technology</p> <p>4 Maximum Wattage</p> <p>5 Power Select</p> <p>6 Size</p> <p>7 Shape</p> <p>8 Style Designation</p> <p>9 CRI</p> <p>10 Color Select Technology</p> <p>11 Color Select Designation</p> <p>12 Dimming</p>	<p>2 Fixture Type</p> <table border="1" style="width: 100%; text-align: center;"> <tr> <td style="width: 30px;">SM</td> <td>Surface Mount Downlight</td> </tr> </table>	SM	Surface Mount Downlight	<p>6 Size</p> <table border="1" style="width: 100%; text-align: center;"> <tr> <td style="width: 30px;">5</td> <td>5"</td> </tr> <tr> <td>7</td> <td>7"</td> </tr> <tr> <td>9</td> <td>9"</td> </tr> <tr> <td>12</td> <td>12"</td> </tr> <tr> <td>15</td> <td>15"</td> </tr> </table>	5	5"	7	7"	9	9"	12	12"	15	15"	<p>7 Shape</p> <table border="1" style="width: 100%; text-align: center;"> <tr> <td style="width: 30px;">R</td> <td>Round</td> </tr> </table>	R	Round
SM	Surface Mount Downlight																
5	5"																
7	7"																
9	9"																
12	12"																
15	15"																
R	Round																
	<p>9 CRI</p> <table border="1" style="width: 100%; text-align: center;"> <tr> <td style="width: 30px;">9</td> <td>90</td> </tr> </table>	9	90	<p>11 Color Select Designation</p> <table border="1" style="width: 100%; text-align: center;"> <tr> <td style="width: 30px;">F</td> <td>2700/3000/3500/4000/5000K</td> </tr> </table>	F	2700/3000/3500/4000/5000K	<p>12 Dimming</p> <table border="1" style="width: 100%; text-align: center;"> <tr> <td style="width: 30px;">CDIM</td> <td>Tri-mode Dimming</td> </tr> </table>	CDIM	Tri-mode Dimming								
9	90																
F	2700/3000/3500/4000/5000K																
CDIM	Tri-mode Dimming																