

KT-VTLED25PS-2A-8CSA-VDIM

2' LED VAPOR TIGHT FIXTURE

DESCRIPTION

2' LED Vapor Tight Fixture | 120 – 277V Input |
Frosted Lens | 0 – 10V Dimming

APPLICATION

Used for commercial and industrial rugged
or outdoor applications



PRODUCT FEATURES

- Features Keystone Color Select technology. Adjust CCT between 3500K, 4000K, or 5000K
- Features Keystone Power Select technology. Adjust power between 25W, 20W, and 15W
- Powered by Keystone 0 – 10V dimming LED drivers
- Traditional design, narrow body, Vapor Tight fixture, suitable for rugged, demanding applications
- NEMA 4X rated, protected against corrosion
- Compatible with Keystone SmartSafe emergency LED drivers
- Compatible with Keystone occupancy sensors
- Ambient operating temperature: -20°C/-4°F to 45°C/122°F
- IP66, suitable for wet location
- ETL Sanitation Listed NSF/ANSI Standard 2 - Food Equipment, Splash Zone (Not for Direct Food Zone)
- THD: < 20%
- Power factor > 0.95

POWER AND COLOR TEMPERATURE SELECTABILITY

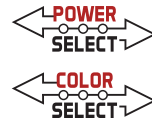
- Keystone Color Select Technology: Adjustable CCT (3500K/4000K/5000K)
- Keystone Power Select Technology: Adjustable Wattage (25W/20W/15W)

PRODUCT SPECIFICATIONS

Catalog Number	Input Voltage	Wattage	CCT	Lumen Output	Efficacy	CRI	Power Factor	Lifetime
KT-VTLED25PS-2A-8CSA-VDIM	120–277V	25W	3500K	3,250	130 lm/W	> 80	> 0.90	50,000 hrs
			4000K	3,275	131 lm/W			
			5000K	3,300	132 lm/W			
		20W	3500K	2,660	133 lm/W			
			4000K	2,680	134 lm/W			
			5000K	2,700	135 lm/W			
		15W	3500K	2,040	136 lm/W			
			4000K	2,055	137 lm/W			
			5000K	2,070	138 lm/W			

ONE CATALOG NUMBER WITH 9 DIFFERENT OPTIONS

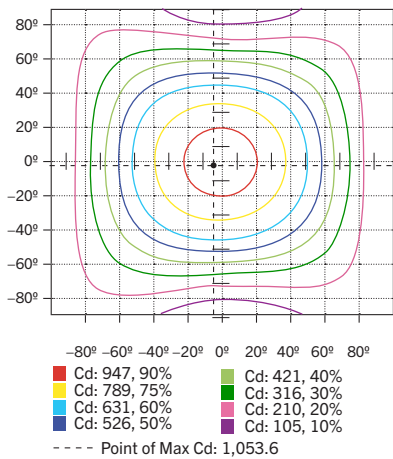
* Preset to highest lumen output (25W / 5000K)
* Color Uniformity: CCT (Correlated Color Temperature) range as per guidelines outlined in ANSI C78.377-2017.



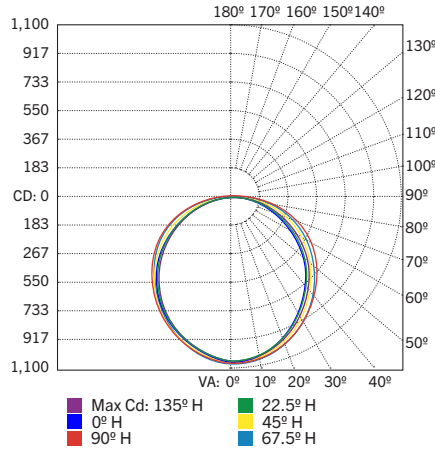
KT-VTLED25PS-2A-8CSA-VDIM

2' LED VAPOR TIGHT FIXTURE

PHOTOMETRIC SPECIFICATIONS



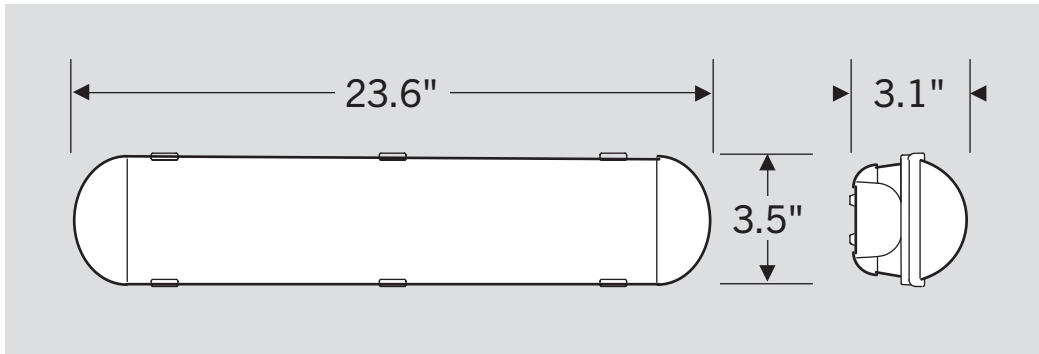
POLAR CANDELA



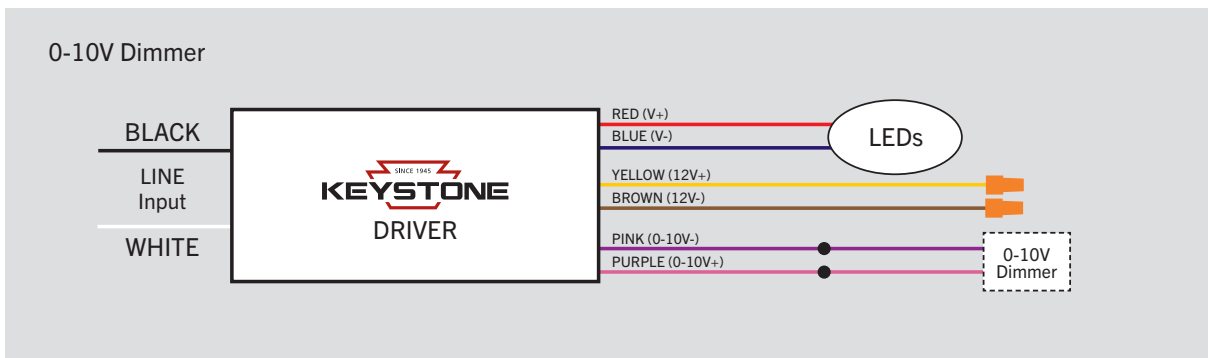
ZONAL LUMEN SUMMARY

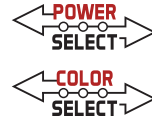
Zone	Lumens	% Luminaire
0-60	2,303.8	69.50%
60-90	826.9	25.00%
0-90	3,130.8	94.50%
90-180	182.3	5.50%
0-180	3,313.0	100.0%

PHYSICAL SPECIFICATIONS



WIRING DIAGRAMS





KT-VTLED25PS-2A-8CSA-VDIM

2' LED VAPOR TIGHT FIXTURE

ADDITIONAL ACCESSORIES (SOLD SEPARATELY)

Catalog Number	Description
KT-VTLED-45SM-1-KIT	45 Deg Surface Mounting Kit for LED Vapor Tight fixtures. Includes two brackets and 4 nuts and bolts.
KT-VTLED-TPSCREW-KIT	Screw for tamper-proofing vapor tight fixture. Includes bag of 14 screws.
KTS-MW3-UV-KO-K2	Microwave Sensor Kit, Includes 120-277V input to 12V DC convertor, IP65 12V input sensor head, nomex sleeve, extension neck

ORDERING INFORMATION

Catalog Number	Pack Quantity	Easy Code	UPC
KT-VTLED25PS-2A-8CSA-VDIM	TBD	FZG-95	843654134888

CATALOG NUMBER BREAKDOWN

KT-VTLED25PS-2A-8CSA-VDIM

1 2 3 4 5 6 7 8 9 10 11

- 1 Keystone Technologies
- 2 LED Vapor Tight Fixture
- 3 Wattage
- 4 Power Select
- 5 2' Nominal Length
- 6 Form Factor
- 7 800 Series
- 8 Color Select
- 9 Color Select Designation
- 10 0–10V Dimming
- 11 Sensor Options

9 Color Select Designation

A	3500K, 4000K, 5000K
---	---------------------

11 Sensor Options

	No Option
/MW	Microwave Sensor included