



KT-WDLED23-8XX-9CSF-FDIM

8" LED WAFER DOWNLIGHT

DESCRIPTION

8" LED Wafer Downlight |
 Color Select Technology |
 Remote Driver with Built-in Junction Box

APPLICATION

Ideal for residential, hospitality, retail, office, and other retrofit and new construction applications



PRODUCT FEATURES

- Keystone Color Select technologies offers SKU reduction and allows for easy, on-the-job adjustments
- Utilizes a remote driver with built-in junction box and quick disconnect; Eliminates the need for a traditional, multi-piece fixture setup
- CEC Compliant Flicker Rate (CEC JA10 std.)
- Ideal for new construction, remodel, and retrofit applications
- Flat body allows fit for shallow ceilings
- Interchangeable trims available in matte black, brushed nickel, and bronze
- Powered by Keystone TRIAC dimming LED driver, 10–100% dimming
- Ambient operating temperature: -20°C/-4°F to 40°C/104°F
- Suitable for use in wet locations
- Airtight and Type IC-rated
- Power factor: >0.90
- THD: <20%
- LED chip lifetime: L70 >80,000 hrs @ 25°C/77°F ambient fixture temp
- FCC Part 15, Subpart B, Class B

PERFORMANCE SPECIFICATIONS

Catalog Number	Input Voltage	Wattage	CCT (Selectable)*	Lumen Output	Efficacy	CRI	Power Factor	Design Designation	Beam Angle	Lifetime
KT-WDLED23-8A-9CSF-FDIM	120V	23W	2700K	1,940	87 lm/w	>90	>0.9	Smooth	110°	50,000 hrs
			3000K	2,015	91 lm/W					
			3500K	2,144	99 lm/W					
			4000K	2,191	101 lm/W					
			5000K	2,147	97 lm/W					
KT-WDLED23-8B-9CSF-FDIM	120V	23W	2700K	2,003	91 lm/w	>90	>0.9	Recessed	110°	50,000 hrs
			3000K	2,025	91 lm/W					
			3500K	2,144	99 lm/W					
			4000K	2,191	101 lm/W					
			5000K	2,147	97 lm/W					
KT-WDLED23-8BB-9CSF-FDIM	120V	23W	2700K	2,003	91 lm/w	>90	>0.9	Baffled	110°	50,000 hrs
			3000K	2,025	91 lm/W					
			3500K	2,144	99 lm/W					
			4000K	2,191	101 lm/W					
			5000K	2,147	97 lm/W					

*Preset to 3000K
 Color Uniformity: CCT (Correlated Color Temperature) range as per guidelines outlined in ANSI C78.377-2017



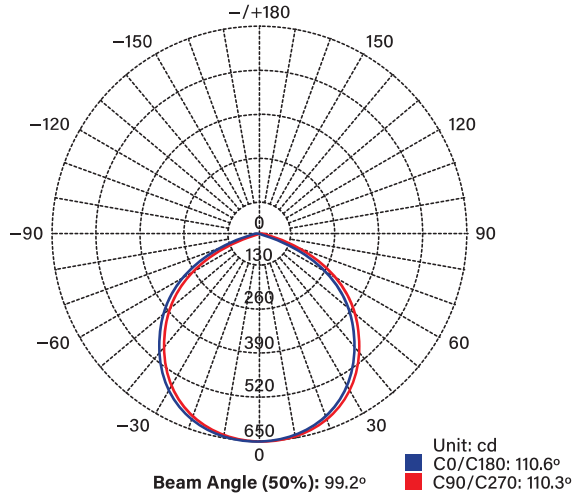
KT-WDLED23-8XX-9CSF-FDIM

8" LED WAFER DOWNLIGHT

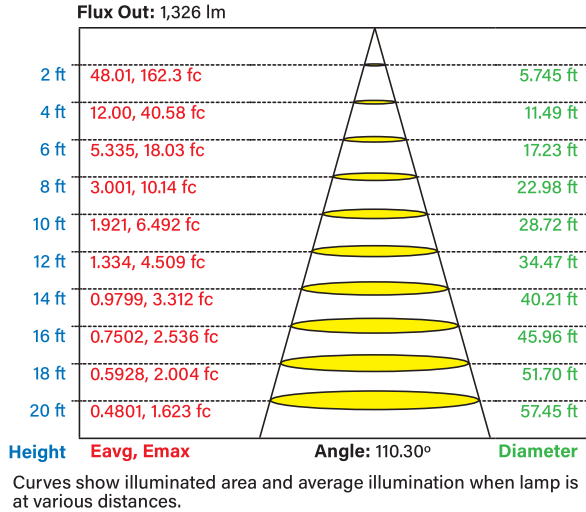
PHOTOMETRIC SPECIFICATIONS

KT-WDLED23-8A-9CSF-FDIM

POLAR CANDELA DISTRIBUTION

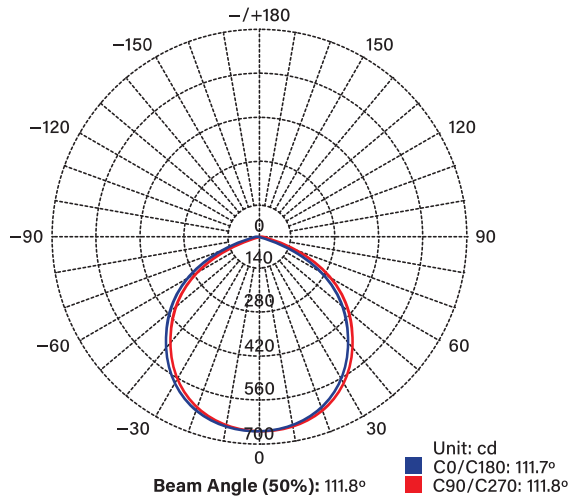


LUX DISTANCE CURVE

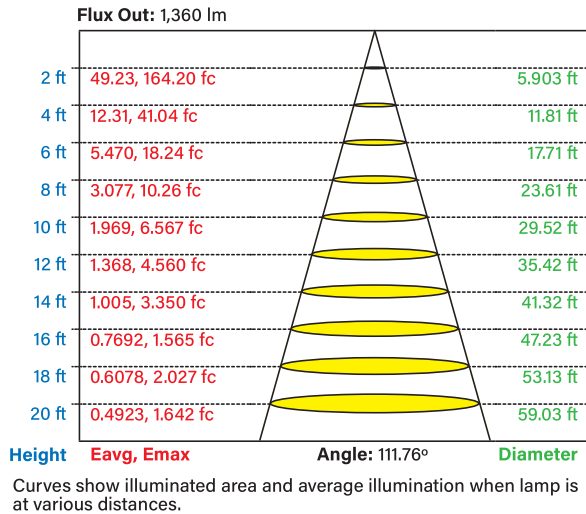


KT-WDLED23-8B-9CSF-FDIM

POLAR CANDELA DISTRIBUTION



LUX DISTANCE CURVE



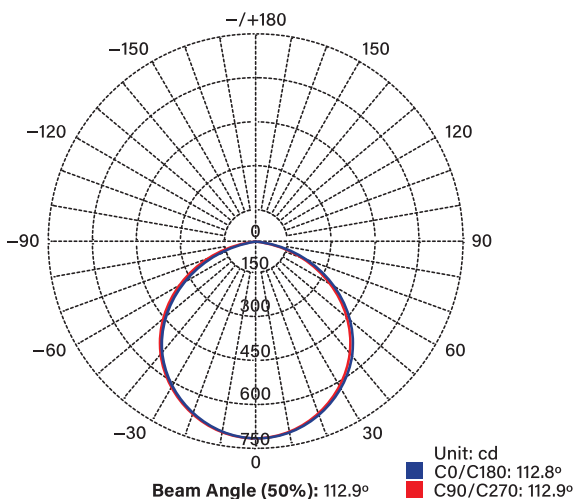
KT-WDLED23-8XX-9CSF-FDIM

8" LED WAFER DOWNLIGHT

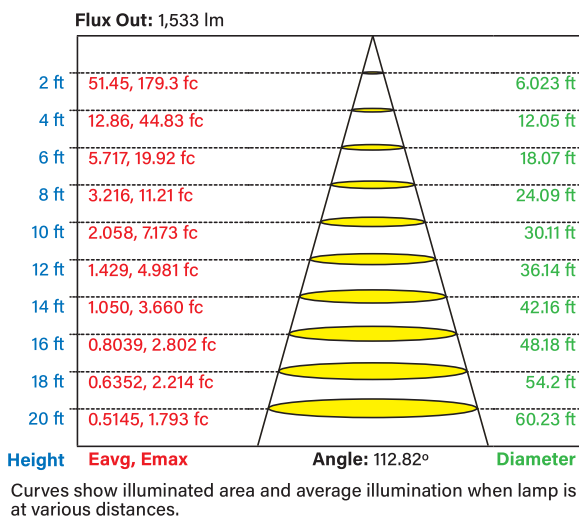
PHOTOMETRIC SPECIFICATIONS (CONTINUED)

KT-WDLED23-8BB-9CSF-FDIM

POLAR CANDELA DISTRIBUTION

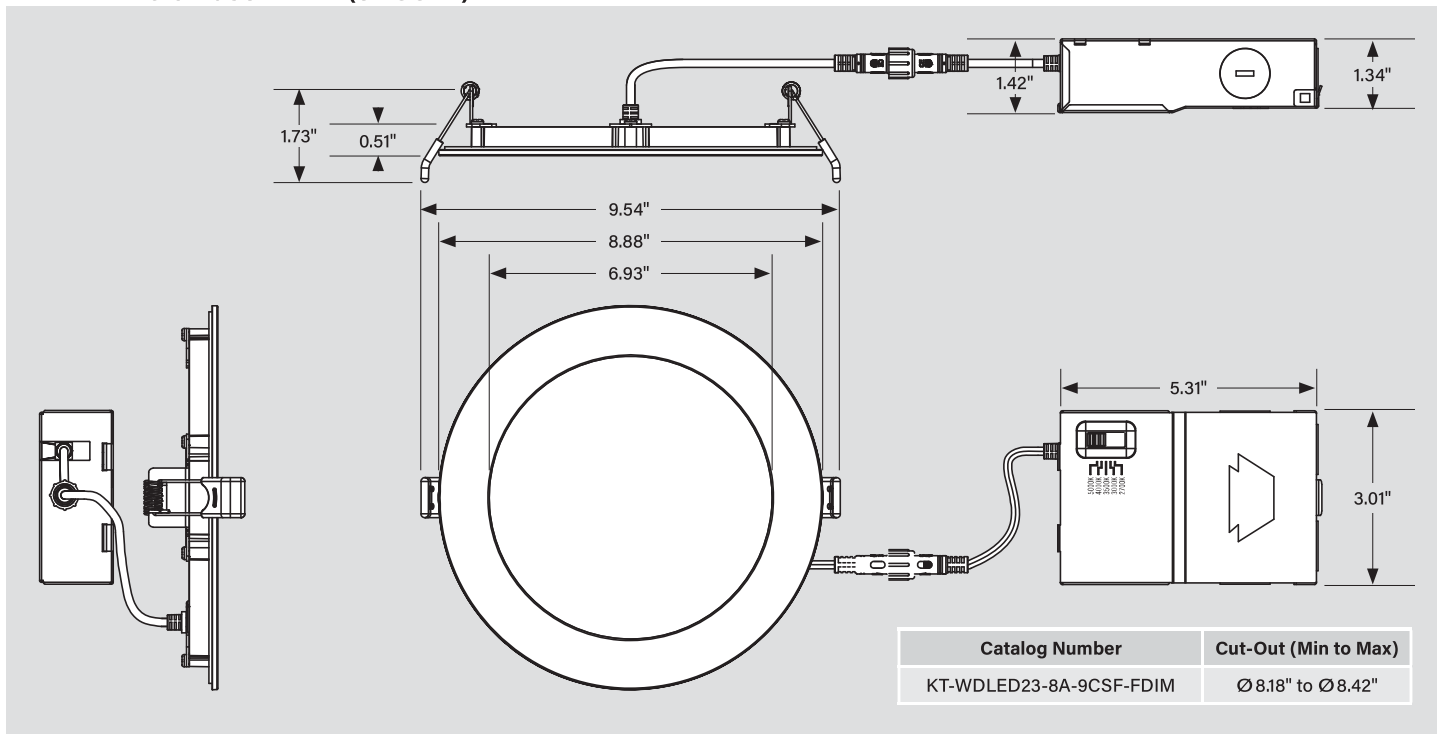


LUX DISTANCE CURVE



PHYSICAL SPECIFICATIONS

KT-WDLED23-8A-9CSF-FDIM (SMOOTH)

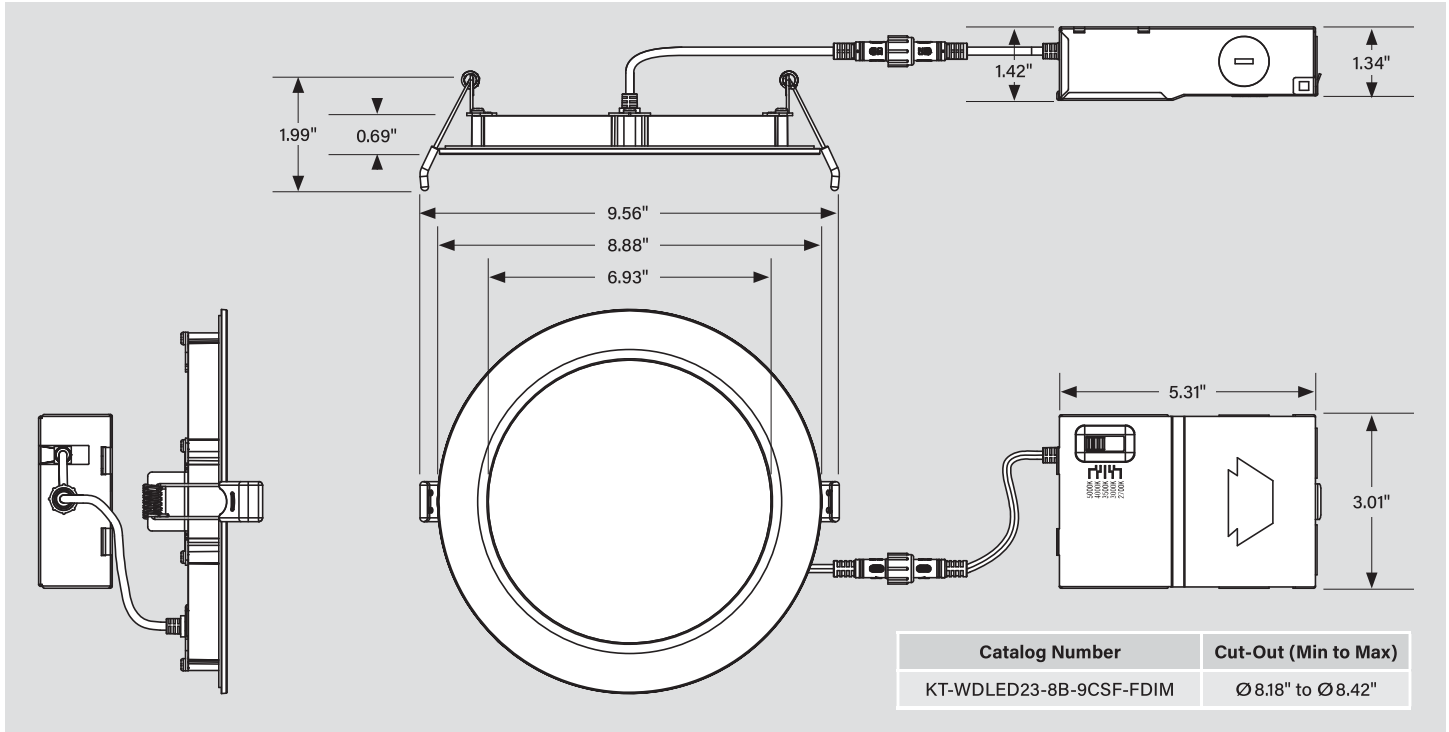


KT-WDLED23-8XX-9CSF-FDIM

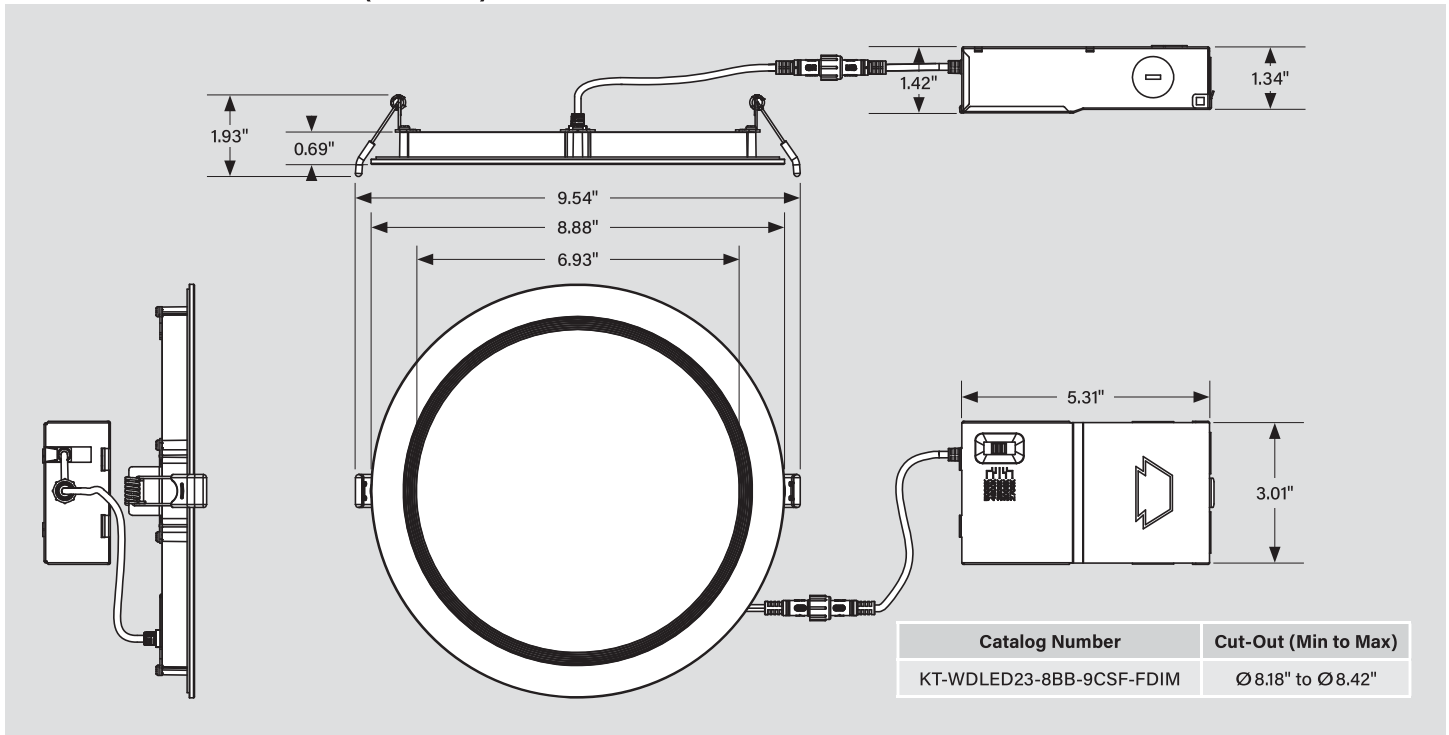
8" LED WAFER DOWNLIGHT

PHYSICAL SPECIFICATIONS (CONTINUED)

KT-WDLED23-8B-9CSF-FDIM (RECESSED)



KT-WDLED23-8BB-9CSF-FDIM (BAFFLED)



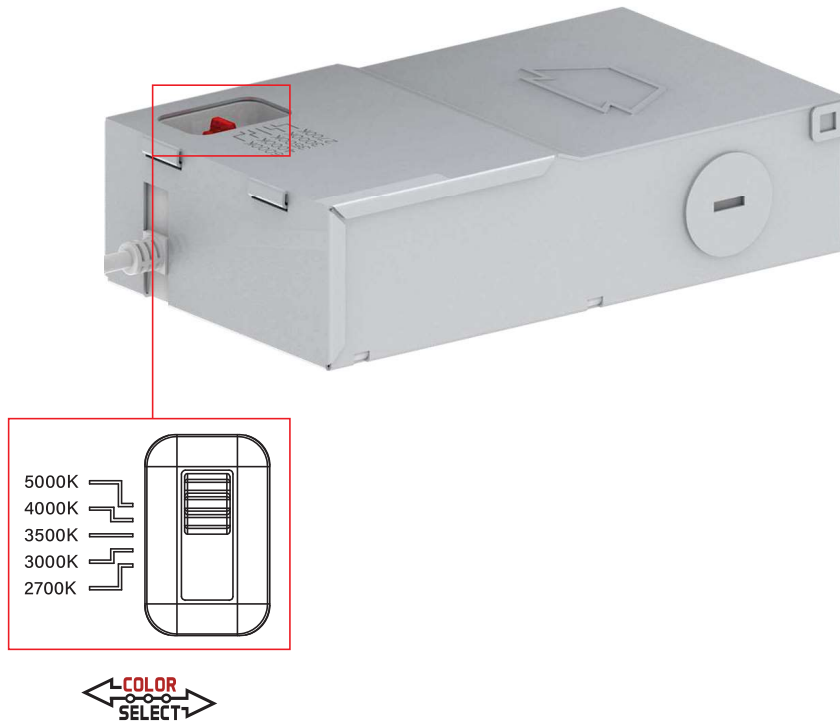
KT-WDLED23-8XX-9CSF-FDIM

8" LED WAFER DOWNLIGHT

COLOR SELECT (CCT) ADJUSTMENT

This fixture is equipped with field-adjustable Keystone Color Select technology.

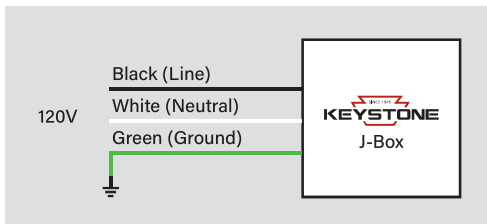
1. Ensure power is off to the fixture.
2. Adjust dip switch to desired setting.



COLOR SELECT ADJUSTMENT SWITCH

Set dip switch to adjust CCT between 2700K, 3000K, 3500K, 4000K, and 5000K. Fixture comes preset at 3000K.

WIRING DIAGRAM



KT-WDLED23-8XX-9CSF-FDIM

8" LED WAFER DOWNLIGHT

INSTALLATION INSTRUCTIONS

RETROFIT INSTALLATION

- 1. Shut off power at the source of the fixture housing into which you are installing fixture.**

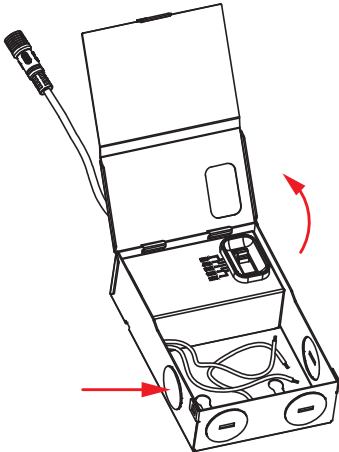
Remove existing trim, CFL or incandescent bulb.

Note: Follow all federal and local regulations when disposing of lamps and removed components.

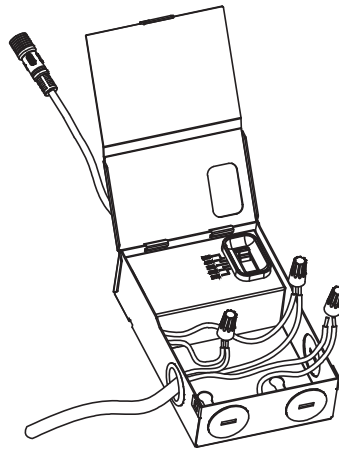
- 2. Measure ceiling opening to ensure that the edge of the luminaire will cover the entire opening and still sit firmly in the ceiling (see *Dimensions* on page 2).**

- 3. Select desired CCT using adjustment switch on fixture (see *Color Select (CCT) Adjustment* on page 3).**

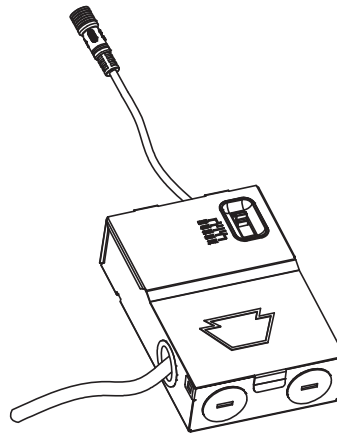
- 4. Open the driver box and remove the knockout(s) (KO).**



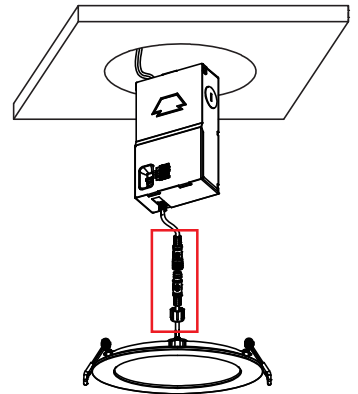
- 5. Insert the electrical supply cable through the KO; use appropriate bushing to prevent wire abrasion. Wire driver box (see *Wiring Diagram* on page 3 and illustration below).***



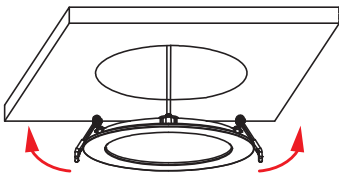
- 6. Place all wiring and connections back into the box and close the cover.**



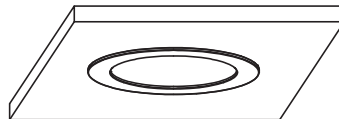
- 7. Insert driver box into ceiling in accordance with local/national codes and connect the male and female connectors. Screw threaded nut over connectors to secure.**



- 8. Lifting both retention tabs upward, push the fixture into the hole until trim sits flush with ceiling.**



- 9. Restore power when ready.**



* Keystone offers an optional cable accessory to assist with wiring to existing fixture J-box. See KT-MC-NP-1-18/3, Optional Accessories (sold separately) on page 6.

(Installation Instructions continued on next page)

KT-WDLED23-8XX-9CSF-FDIM

8" LED WAFER DOWNLIGHT

INSTALLATION INSTRUCTIONS (CONTINUED)

NEW-CONSTRUCTION INSTALLATION*

1. Shut off power at the source of the fixture housing into which you are installing fixture.

2. Using installation hole template, create ceiling opening to ensure that the edge of the luminaire will cover the entire opening and still sit firmly in the ceiling (see *Dimensions* on page 2).

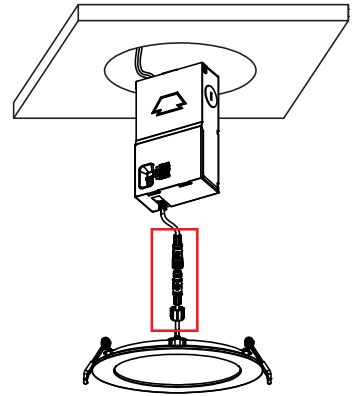
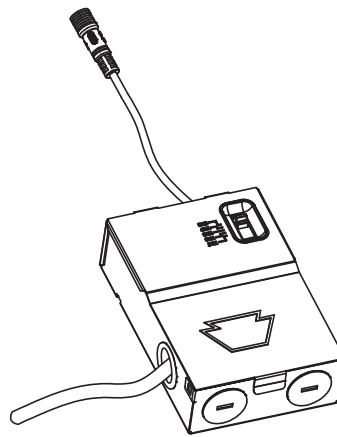
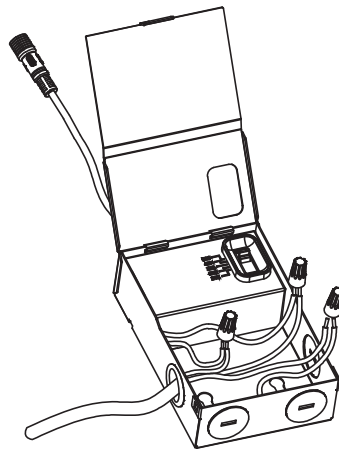
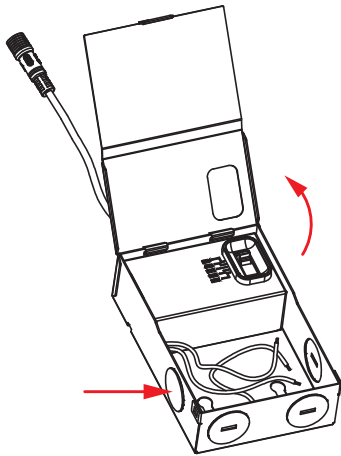
3. Select desired CCT using adjustment switch on fixture (see *Color Select (CCT) Adjustment* on page 3).

4. Open the driver box and remove the knockout(s) (KO).

5. Insert the electrical supply cable through the KO; use appropriate bushing to prevent wire abrasion. Wire driver box (see *Wiring Diagram* on page 3 and illustration below).*

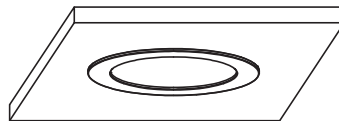
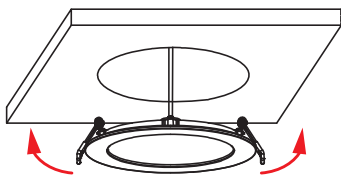
6. Place all wiring and connections back into the box and close the cover.

7. Insert driver box into ceiling in accordance with local/national codes and connect the male and female connectors. Screw threaded nut over connectors to secure.



8. Lifting both retention tabs upward, push the fixture into the hole until trim sits flush with ceiling.

9. Restore power when ready.



* Keystone offers an optional cable accessory to assist with wiring to existing fixture J-box. See KT-MC-NP-1-18/3, *Optional Accessories* (sold separately) on page 6.



KT-WDLED23-8XX-9CSF-FDIM

8" LED WAFER DOWNLIGHT

OPTIONAL ACCESSORIES (SOLD SEPARATELY)

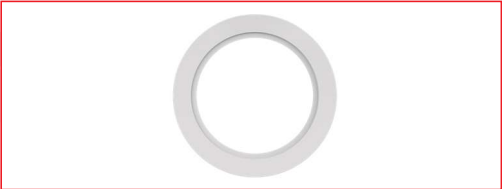
INTERCHANGEABLE TRIM

Catalog Number	Description	UPC	Easy Code
KT-WDLED-8A-MB-TRIM	8" Interchangeable Trim for 8A LED Slim Wafer Downlight; Matte Black	843654139333	IKI-88
KT-WDLED-8A-BN-TRIM	8" Interchangeable Trim for 8A LED Slim Wafer Downlight; Brushed Nickel	843654139364	JIH-47
KT-WDLED-8A-BR-TRIM	8" Interchangeable Trim for 8A LED Slim Wafer Downlight; Bronze	843654139395	QUD-62
KT-WDLED-8B-MB-TRIM	8" Interchangeable Trim for 8B LED Recessed Wafer Downlight; Matte Black	843654139432	PBB-93
KT-WDLED-8B-BN-TRIM	8" Interchangeable Trim for 8B LED Recessed Wafer Downlight; Brushed Nickel	843654139463	JJN-04
KT-WDLED-8B-BR-TRIM	8" Interchangeable Trim for 8B LED Recessed Wafer Downlight; Bronze	843654139494	GXE-62



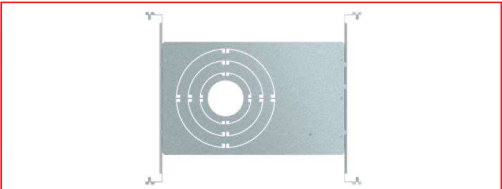
GOOF RING

Catalog Number	Description	UPC	Easy Code
KT-WDLED-8AB-GOOF	Goof Ring for 8A/8B LED Wafer Downlights; 10" outer diameter	843654139661	NTL-85



NEW-CONSTRUCTION PLATE

Catalog Number	Description	UPC	Easy Code
KT-WDLED-PLATE-2	New Construction Mounting Plate for all A and B LED Wafer Downlights for joist and T-grid installations	843654139791	FZT-71



EXTENSION CABLES

Catalog Number	Description	UPC	Easy Code
KT-WDLED-EC-6	6' Extension Cord for LED Wafer Downlights	843654139739	GOK-14
KT-WDLED-EC-12	12' Extension Cord for LED Wafer Downlights	843654139746	ECE-88
KT-WDLED-EC-20	20' Extension Cord for LED Wafer Downlights	843654139753	JLM-06



(Optional Accessories continued on next page)



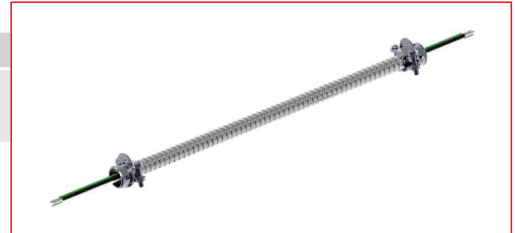
KT-WDLED23-8XX-9CSF-FDIM

8" LED WAFER DOWNLIGHT

OPTIONAL ACCESSORIES (SOLD SEPARATELY) (CONTINUED)

METAL-CLAD CABLE

Catalog Number	Description	UPC	Easy Code
KT-MC-NP-1-18/3	Metal-Clad Cable for LED Recessed Downlights; No plug; UL 16AWG 18/3 wire (live, neutral, ground)	843654139777	AYT-71



ORDERING INFORMATION

Catalog Number	Pack Qty.	UPC	Easy Code
KT-WDLED23-8A-9CSF-FDIM	1	843654139081	VXX-54
KT-WDLED23-8B-9CSF-FDIM	1	843654139128	JVD-15
KT-WDLED23-8BB-9CSF-FDIM	1	843654169163	QAA-58

CATALOG NUMBER BREAKDOWN

KT-WDLED23-8XX-9CSF-FDIM

1 2 3 4 5 6 7 8 9 10

<p>1 Keystone Technologies</p> <p>2 Fixture Type</p> <p>3 LED Technology</p> <p>4 Maximum Wattage</p> <p>5 Size</p> <p>6 Style/Design Designation</p> <p>7 CRI</p> <p>8 Color Select Technology</p> <p>9 Color Select Designation</p> <p>10 Dimming</p>	<p>2 Fixture Type</p> <table border="1" style="width: 100%;"> <tr> <td>WD</td> <td>Wafer Downlight</td> </tr> </table>	WD	Wafer Downlight	<p>5 Size</p> <table border="1" style="width: 100%;"> <tr> <td>8</td> <td>8" Nominal</td> </tr> </table>	8	8" Nominal	<p>6 Style/Design Designation</p> <table border="1" style="width: 100%;"> <tr> <td>A</td> <td>Smooth</td> </tr> <tr> <td>B</td> <td>Recessed</td> </tr> <tr> <td>BB</td> <td>Baffled</td> </tr> </table>	A	Smooth	B	Recessed	BB	Baffled
WD	Wafer Downlight												
8	8" Nominal												
A	Smooth												
B	Recessed												
BB	Baffled												
	<p>7 CRI</p> <table border="1" style="width: 100%;"> <tr> <td>9</td> <td>90</td> </tr> </table>	9	90	<p>9 Color Select Designation</p> <table border="1" style="width: 100%;"> <tr> <td>F</td> <td>2700K, 3000K, 3500K, 4000K, 5000K</td> </tr> </table>	F	2700K, 3000K, 3500K, 4000K, 5000K	<p>10 Dimming</p> <table border="1" style="width: 100%;"> <tr> <td>FDIM</td> <td>Phase Dimming</td> </tr> </table>	FDIM	Phase Dimming				
9	90												
F	2700K, 3000K, 3500K, 4000K, 5000K												
FDIM	Phase Dimming												