

KT-WDLED23PS-8B-9CSF-VDIM

8" LED RECESSED WAFER DOWNLIGHT

DESCRIPTION

8" LED Recessed Wafer Downlight | Power Select Technology | Color Select Technology | Remote Driver with Built-in Junction Box

APPLICATION

Ideal for residential, hospitality, retail, office, and other retrofit and new construction applications



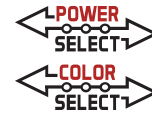
PRODUCT FEATURES

- Keystone Power Select and Color Select technologies offer SKU reduction and allow for easy, on-the-job adjustments
- Utilizes a remote driver with built-in junction box and quick disconnect; Eliminates the need for a traditional, multi-piece fixture setup
- CEC Compliant Flicker Rate (CEC JA10 std.)
- Ideal for new construction, remodel, and retrofit applications
- Flat body allows fit for shallow ceilings
- Edge-lit LED technology provides even illumination
- Interchangeable trims available in matte black, brushed nickel, and bronze
- Powered by Keystone 0–10V dimming LED driver; 10–100% dimming
- Ambient operating temperature: –30°C/–22°F to 40°C/104°F
- Suitable for use in wet locations
- Airtight and Type IC-rated
- Power factor: >0.90
- THD: <20%
- LED chip lifetime: L70 >80,000 hrs @ 25°C/77°F ambient fixture temp
- FCC Part 15, Subpart B, Class A

PERFORMANCE SPECIFICATIONS

| Catalog Number | Input Voltage | Wattage (Selectable) | CCT (Selectable)* | Lumen Output | Efficacy | CRI | Power Factor | Beam Angle | Lifetime |
|---------------------------|---------------|----------------------|-------------------|--------------|----------|-----|--------------|------------|------------|
| KT-WDLED23PS-8B-9CSF-VDIM | 120–277V | 23W | 2700K | 1,800 | 78 lm/W | >90 | >0.9 | 110° | 50,000 hrs |
| | | | 3000K | 1,850 | 80 lm/W | | | | |
| | | | 3500K | 1,920 | 83 lm/W | | | | |
| | | | 4000K | 1,960 | 85 lm/W | | | | |
| | | | 5000K | 1,925 | 84 lm/W | | | | |
| | | 18W | 2700K | 1,400 | 78 lm/W | | | | |
| | | | 3000K | 1,435 | 80 lm/W | | | | |
| | | | 3500K | 1,475 | 82 lm/W | | | | |
| | | | 4000K | 1,500 | 83 lm/W | | | | |
| | | | 5000K | 1,480 | 82 lm/W | | | | |
| | | 14W | 2700K | 1,100 | 79 lm/W | | | | |
| | | | 3000K | 1,130 | 81 lm/W | | | | |
| | | | 3500K | 1,160 | 83 lm/W | | | | |
| | | | 4000K | 1,185 | 85 lm/W | | | | |
| | | | 5000K | 1,165 | 83 lm/W | | | | |

*Preset to highest CCT: 5000K
 Color Uniformity: CCT (Correlated Color Temperature) range as per guidelines outlined in ANSI C78.377-2017

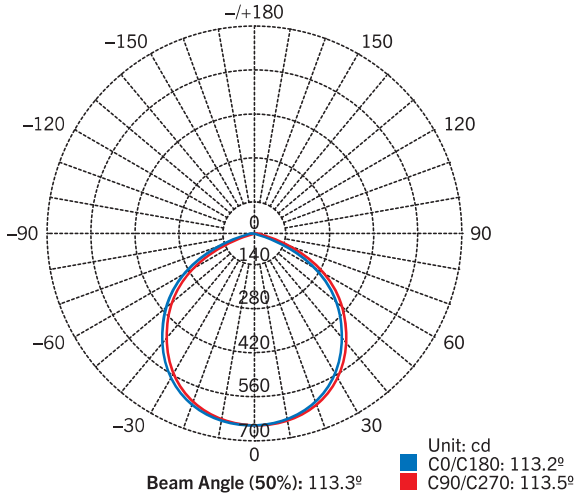


KT-WDLED23PS-8B-9CSF-VDIM

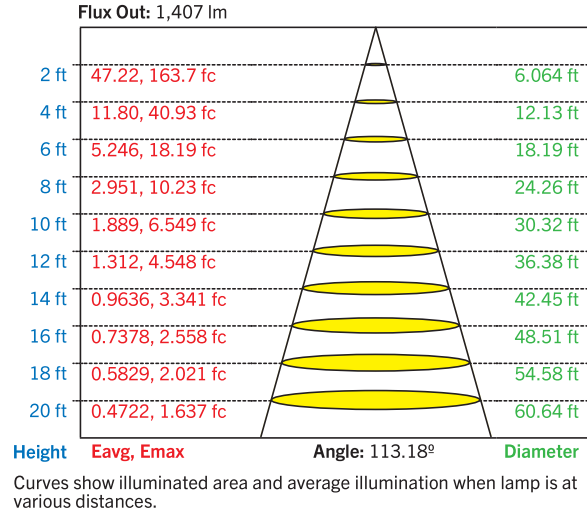
8" LED RECESSED WAFER DOWNLIGHT

PHOTOMETRIC SPECIFICATIONS

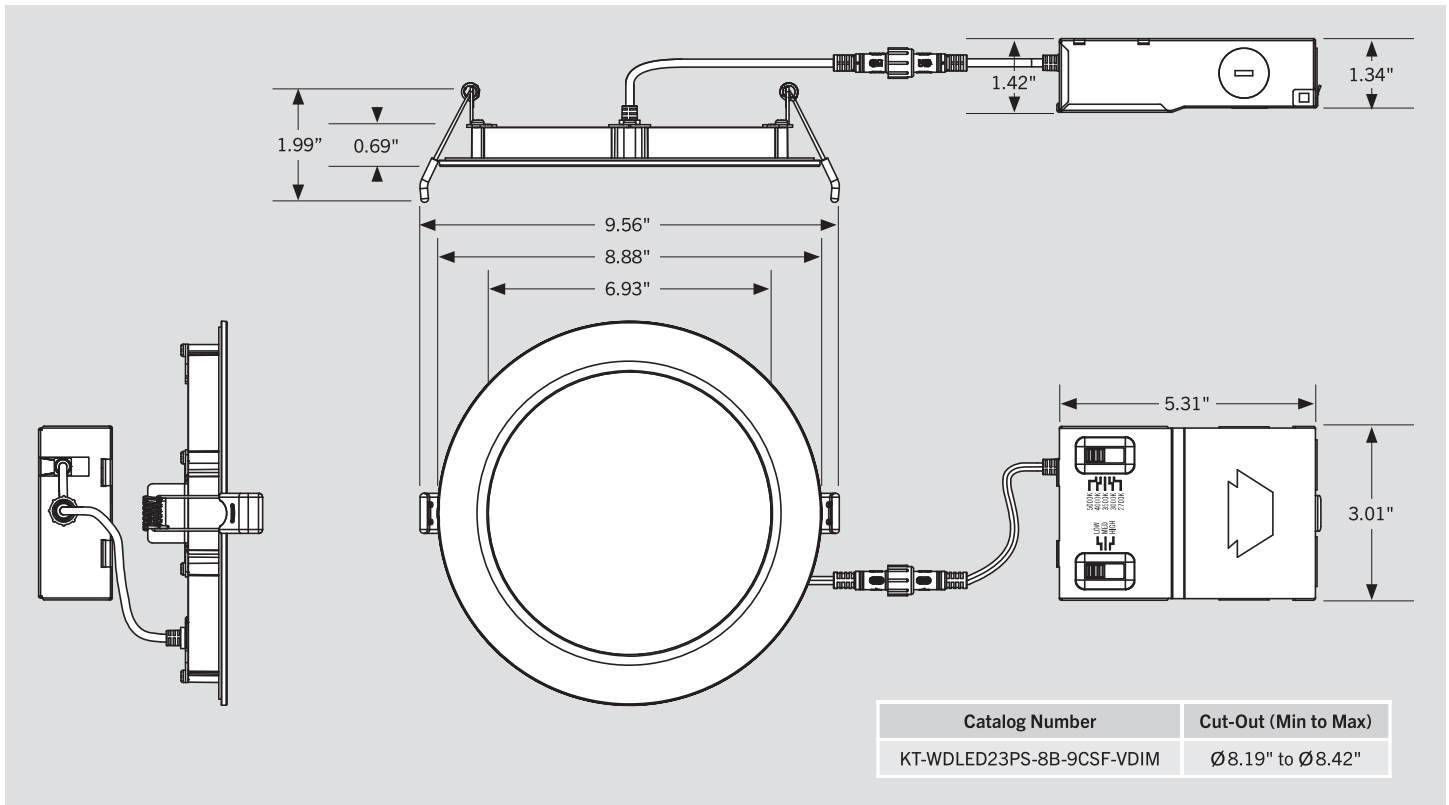
POLAR CANDELA DISTRIBUTION

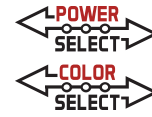


LUX DISTANCE CURVE



PHYSICAL SPECIFICATIONS





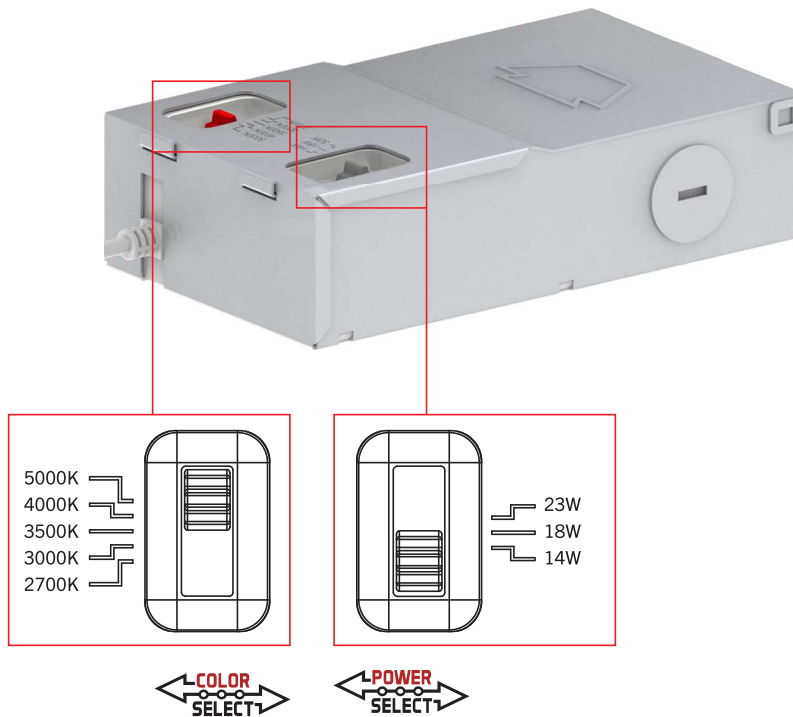
KT-WDLED23PS-8B-9CSF-VDIM

8" LED RECESSED WAFER DOWNLIGHT

POWER SELECT (WATTAGE) AND COLOR SELECT (CCT) ADJUSTMENT

This fixture is equipped with field-adjustable Keystone Power Select and Color Select technology.

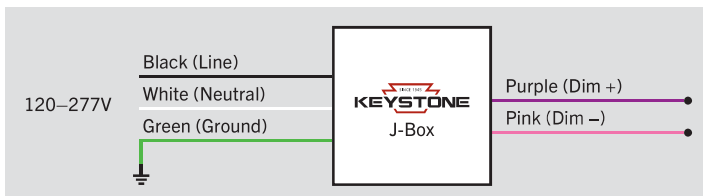
1. Ensure power is off to the fixture.
2. Adjust dip switches to desired settings.



COLOR SELECT ADJUSTMENT SWITCH
 Set dip switch to adjust CCT between 2700K, 3000K, 3500K, 4000K, and 5000K. Fixture comes preset at 5000K.

POWER SELECT ADJUSTMENT SWITCH
 Set dip switch to adjust wattage between 14W, 18W, and 23W. Fixture comes preset at 23W.

WIRING DIAGRAM



KT-WDLED23PS-8B-9CSF-VDIM

8" LED RECESSED WAFER DOWNLIGHT

INSTALLATION INSTRUCTIONS

RETROFIT INSTALLATION

- 1. Shut off power at the source of the fixture housing into which you are installing fixture.**

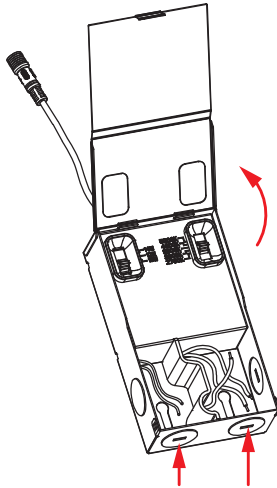
Remove existing trim, CFL or incandescent bulb.

Note: Follow all federal and local regulations when disposing of lamps and removed components.

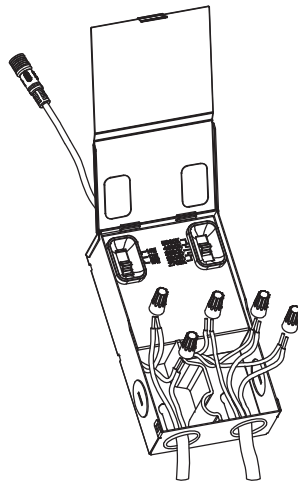
- 2. Measure ceiling opening to ensure that the edge of the luminaire will cover the entire opening and still sit firmly in the ceiling (see *Dimensions* on page 2).**

- 3. Select desired Wattage and CCT using adjustment switches on fixture (see *Power Select (Wattage) and Color Select (CCT) Adjustment* on page 3).**

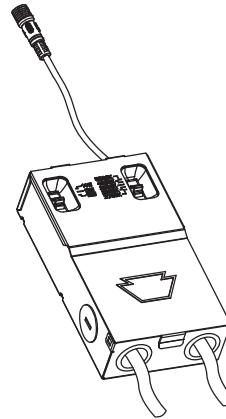
- 4. Open the driver box and remove the knockout(s) (KO).**



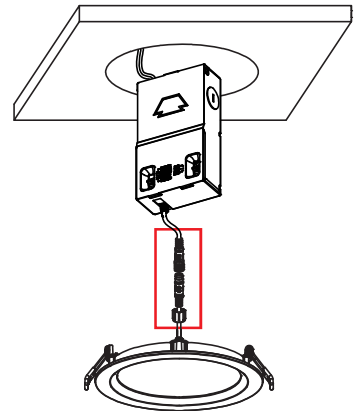
- 5. Insert the electrical supply cable through the KO; use appropriate bushing to prevent wire abrasion. Wire driver box (see *Wiring Diagram* on page 3 and illustration below).***



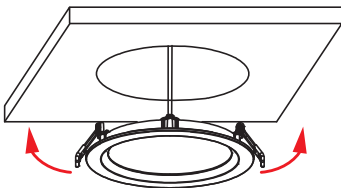
- 6. Place all wiring and connections back into the box and close the cover.**



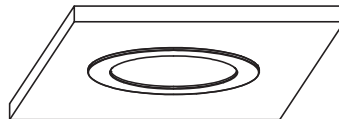
- 7. Insert driver box into ceiling in accordance with local/national codes and connect the male and female connectors. Screw threaded nut over connectors to secure.**



- 8. Lifting both retention tabs upward, push the fixture into the hole until trim sits flush with ceiling.**



- 9. Restore power when ready.**



* Keystone offers an optional cable accessory to assist with wiring to existing fixture J-box. See KT-MC-NP-1-18/3, Optional Accessories (sold separately) on page 6.

(Installation Instructions continued on next page)

KT-WDLED23PS-8B-9CSF-VDIM

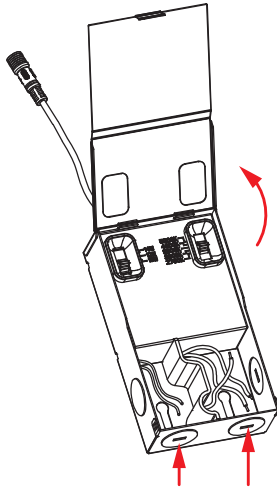
8" LED RECESSED WAFER DOWNLIGHT

INSTALLATION INSTRUCTIONS (continued)

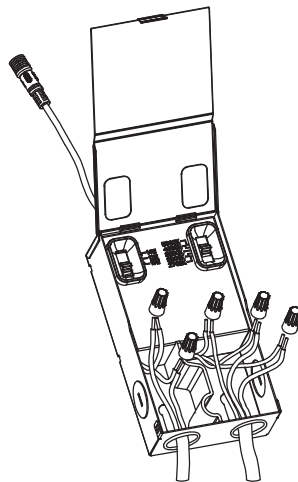
NEW-CONSTRUCTION INSTALLATION*

1. Shut off power at the source of the fixture housing into which you are installing fixture.
2. Using installation hole template, create ceiling opening to ensure that the edge of the luminaire will cover the entire opening and still sit firmly in the ceiling (see *Dimensions* on page 2).
3. Select desired Wattage and CCT using adjustment switches on fixture (see *Power Select (Wattage) and Color Select (CCT) Adjustment* on page 3).

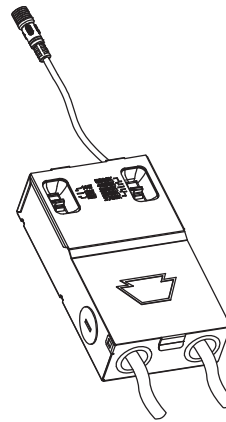
4. Open the driver box and remove the knockout(s) (KO).



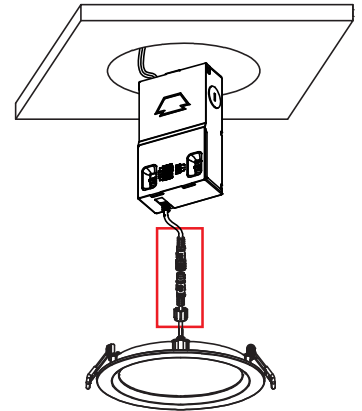
5. Insert the electrical supply cable through the KO; use appropriate bushing to prevent wire abrasion. Wire driver box (see *Wiring Diagram* on page 3 and illustration below).*



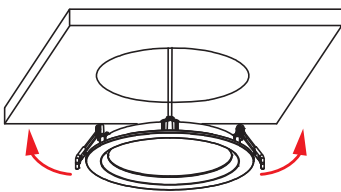
6. Place all wiring and connections back into the box and close the cover.



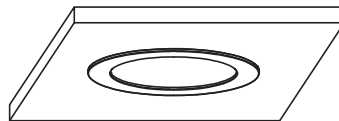
7. Insert driver box into ceiling in accordance with local/national codes and connect the male and female connectors. Screw threaded nut over connectors to secure.



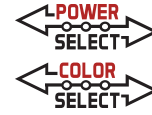
8. Lifting both retention tabs upward, push the fixture into the hole until trim sits flush with ceiling.



9. Restore power when ready.



* Keystone offers an optional cable accessory to assist with wiring to existing fixture J-box. See KT-MC-NP-1-18/3, Optional Accessories (sold separately) on page 6.



KT-WDLED23PS-8B-9CSF-VDIM

8" LED RECESSED WAFER DOWNLIGHT

OPTIONAL ACCESSORIES (sold separately)

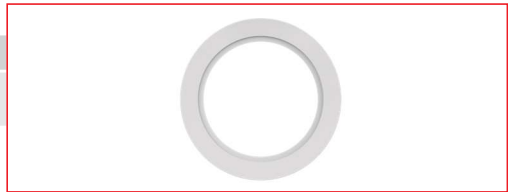
INTERCHANGEABLE TRIM

| Catalog Number | Description | UPC | Easy Code |
|---------------------|---|--------------|-----------|
| KT-WDLED-8B-MB-TRIM | 8" Interchangeable Trim for 8B LED Recessed Wafer Downlight; Matte Black | 843654139432 | PBB-93 |
| KT-WDLED-8B-BN-TRIM | 8" Interchangeable Trim for 8B LED Recessed Wafer Downlight; Brushed Nickel | 843654139463 | JJN-04 |
| KT-WDLED-8B-BR-TRIM | 8" Interchangeable Trim for 8B LED Recessed Wafer Downlight; Bronze | 843654139494 | GXE-62 |



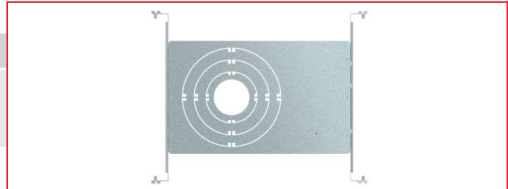
GOOF RING

| Catalog Number | Description | UPC | Easy Code |
|-------------------|--|--------------|-----------|
| KT-WDLED-8AB-GOOF | Goof Ring for 8A/8B LED Wafer Downlights; 10" outer diameter | 843654139661 | NTL-85 |



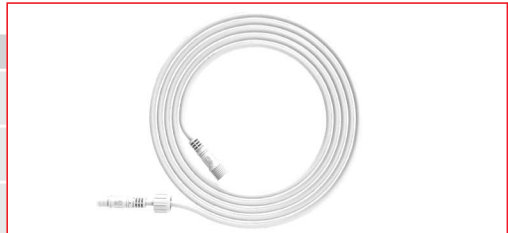
NEW-CONSTRUCTION PLATE

| Catalog Number | Description | UPC | Easy Code |
|------------------|---|--------------|-----------|
| KT-WDLED-PLATE-2 | New Construction Mounting Plate for all A and B LED Wafer Downlights for joist and T-grid installations | 843654139791 | FZT-71 |



EXTENSION CABLES

| Catalog Number | Description | UPC | Easy Code |
|----------------|---|--------------|-----------|
| KT-WDLED-EC-6 | 6' Extension Cord for LED Wafer Downlights | 843654139739 | GOK-14 |
| KT-WDLED-EC-12 | 12' Extension Cord for LED Wafer Downlights | 843654139746 | ECE-88 |
| KT-WDLED-EC-20 | 20' Extension Cord for LED Wafer Downlights | 843654139753 | JLM-06 |



METAL-CLAD CABLE

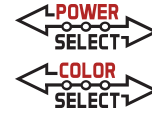
| Catalog Number | Description | UPC | Easy Code |
|-----------------|---|--------------|-----------|
| KT-MC-NP-1-18/3 | Metal-Clad Cable for LED Recessed Downlights; No plug; UL 16AWG 18/3 wire (live, neutral, ground) | 843654139777 | AYT-71 |



EMERGENCY PACK

| Catalog Number | Description | UPC | Easy Code |
|----------------------------|--|--------------|-----------|
| KT-EMRG-LED-12-1200-AC /DF | LED Emergency Backup, 12W - 1200 Lumen Constant Power Design, 120-277V Input. Dual Flex Cable Design. Installs on Primary Side of AC Powered LED load. | 843654139890 | MPM-43 |





KT-WDLED23PS-8B-9CSF-VDIM

8" LED RECESSED WAFER DOWNLIGHT

ORDERING INFORMATION

| Catalog Number | Pack Qty. | UPC | Easy Code |
|---------------------------|-----------|--------------|-----------|
| KT-WDLED23PS-8B-9CSF-VDIM | 1 | 843654139241 | NYW-46 |

CATALOG NUMBER BREAKDOWN

KT-WDLED23PS-8B-9CSF-VDIM

1 2 3 4 5 6 7 8 9 10 11

- 1** Keystone Technologies
- 2** Fixture Type

| | |
|----|-----------------|
| WD | Wafer Downlight |
|----|-----------------|
- 3** LED Technology
- 4** Maximum Wattage
- 5** Power Select Technology
- 6** Size

| | |
|---|------------|
| 8 | 8" Nominal |
|---|------------|
- 7** Style/Design Designation

| | |
|---|----------|
| B | Series B |
|---|----------|
- 8** CRI

| | |
|---|----|
| 9 | 90 |
|---|----|
- 9** Color Select Technology
- 10** Color Select Designation

| | |
|---|-----------------------------------|
| F | 2700K, 3000K, 3500K, 4000K, 5000K |
|---|-----------------------------------|
- 11** Dimming

| | |
|------|---------------|
| VDIM | 0-10V Dimming |
|------|---------------|