

KT-WPLEDXXPS-M5-8CSB-VDIM
FULL CUTOFF WALL PACK WITH CHANGEABLE SHELL ACCESSORIES

DESCRIPTION

Full Cutoff Wall Pack | Compatible with FormFit Accessories | Power Select | Color Select | 120-277V

APPLICATION

Building mount for exterior illumination (perimeters, pathways, loading docks, and other general and aesthetic lighting requirements)

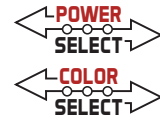


PRODUCT FEATURES

- Keystone Power Select technology (see Performance Specifications for details)
- Keystone Color Select technology (3000/4000/5000K)
- Full cutoff wall pack that covers distribution pattern of legacy HID wall packs
- Compatible with two styles of easy-to-install slip-on shells (quarter sphere or half moon) in a variety of colors
- Built-in dusk-to-dawn infrared photocell
- Powered by Keystone 0-10V dimming LED driver
- Ambient operating temperature: -40°C/-40°F to 50°C/122°F
- UL Certified for wet locations; IP65 rated
- Fixture impact rating IK08
- Power Factor: > 0.95
- THD: < 20%
- LED chip lifetime: L70 >100,000 hrs @ 25°C/77°F ambient fixture temperature
- Meets FCC Part 15, Part B, Class A standards for conducted and radiated emissions

PRODUCT IMAGES





KT-WPLEDXXPS-M5-8CSB-VDIM

FULL CUTOFF WALL PACK WITH CHANGEABLE SHELL ACCESSORIES

PERFORMANCE SPECIFICATIONS

Catalog Number	Selectable Wattage	Selectable CCT	Lumens	Efficacy	Input Voltage	CRI	Photocell	Rated Life	Legacy Equivalent
KT-WPLED80PS-M5-8CSB-VDIM	80W	3000K	10,548	132 lm/W	120-277V	> 80	Included	50,000 hrs	320W MH
		4000K	11,681	146 lm/W					
		5000K	11,366	142 lm/W					
	70W	3000K	9,440	135 lm/W					
		4000K	10,323	147 lm/W					
		5000K	10,101	144 lm/W					
	55W	3000K	7,813	142 lm/W					
		4000K	8,515	155 lm/W					
		5000K	8,380	152 lm/W					
KT-WPLED55PS-M5-8CSB-VDIM	55W	3000K	7,260	132 lm/W	120-277V	> 80	Included	50,000 hrs	250W MH
		4000K	8,195	149 lm/W					
		5000K	7,700	140 lm/W					
	45W	3000K	6,075	135 lm/W					
		4000K	6,840	152 lm/W					
		5000K	6,525	145 lm/W					
	35W	3000K	4,795	137 lm/W					
		4000K	5,425	155 lm/W					
		5000K	5,180	148 lm/W					
KT-WPLED35PS-M5-8CSB-VDIM	35W	3000K	4,550	130 lm/W	120-277V	> 80	Included	50,000 hrs	150W MH
		4000K	5,110	146 lm/W					
		5000K	4,900	140 lm/W					
	25W	3000K	3,350	134 lm/W					
		4000K	3,775	151 lm/W					
		5000K	3,625	145 lm/W					
	15W	3000K	2,070	138 lm/W					
		4000K	2,340	156 lm/W					
		5000K	2,235	149 lm/W					

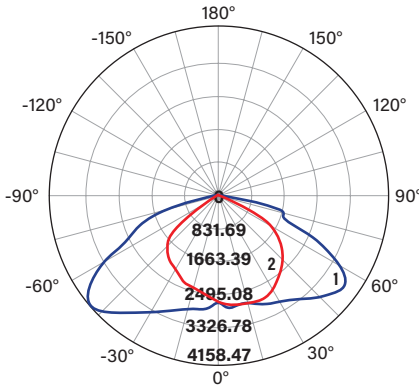
KT-WPLEDXXPS-M5-8CSB-VDIM

FULL CUTOFF WALL PACK WITH CHANGEABLE SHELL ACCESSORIES

PHOTOMETRIC SPECIFICATIONS

KT-WPLED80PS-M5-8CSB-VDIM

LUMINOUS INTENSITY DISTRIBUTION



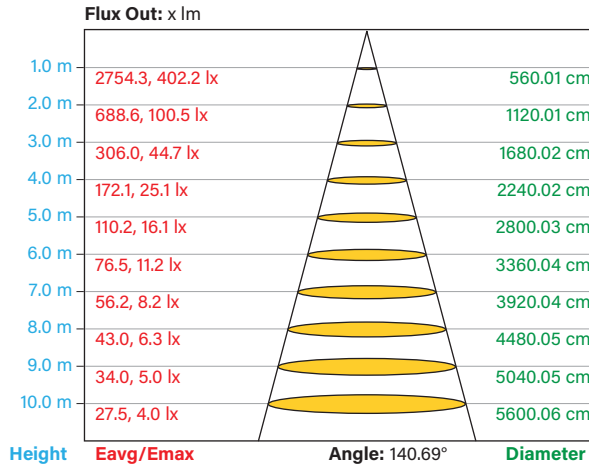
Average diffuse angle (x%): x°

1 Red C0 - C180

2 Blue C90 - C270

Unit: cd

LUX DISTANCE CURVE



Curves show illuminated area and average illumination when lamp is at various distances.

FLUX DISTRIBUTION

Zone	Lumens	% Luminaire
Forward Light	5954.6 lm	56.6%
0°-30°	1199.4 lm	11.4%
30°-60°	3415.7 lm	32.5%
60°-80°	1296.3 lm	12.3%
80°-90°	43.2 lm	0.4%
Back Light	4534.8 lm	43.1%
0°-30°	1079.0 lm	10.3%
30°-60°	2723.0 lm	25.9%
60°-80°	699.6 lm	6.6%
80°-90°	33.2 lm	0.3%
Up Light	31.5 lm	0.3%
90°-100°	4.7 lm	0.0%
100°-180°	26.8 lm	0.3%

BUG* Rating

Asymmetrical Luminaire Types

Type I, II, III, IV B3 U2 G2

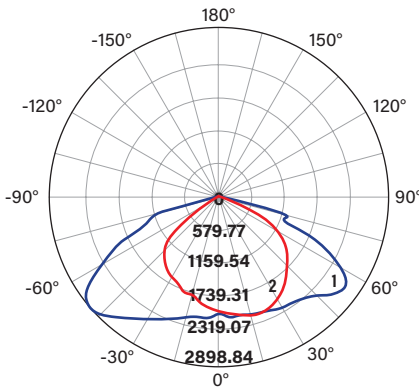
Quadrilateral Symmetrical Luminaire Types

Type V, Area Light B3 U2 G2

* Backlight, Uplight, Glare

KT-WPLED55PS-M5-8CSB-VDIM

LUMINOUS INTENSITY DISTRIBUTION



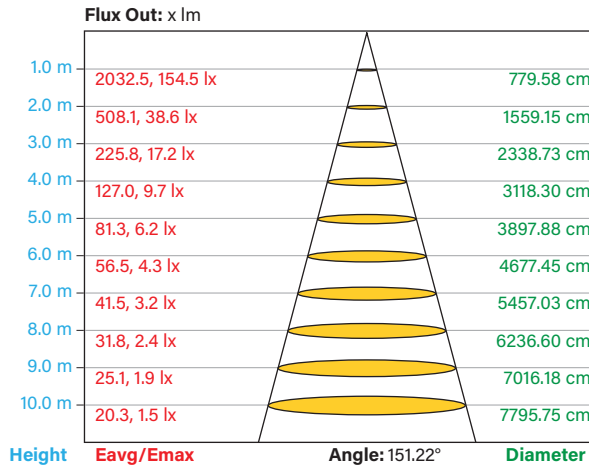
Average diffuse angle (x%): x°

1 Red C0 - C180

2 Blue C90 - C270

Unit: cd

LUX DISTANCE CURVE



Curves show illuminated area and average illumination when lamp is at various distances.

FLUX DISTRIBUTION

Zone	Lumens	% Luminaire
Forward Light	4326.2 lm	57.2%
0°-30°	880.8 lm	11.6%
30°-60°	2414.3 lm	31.9%
60°-80°	996.7 lm	13.2%
80°-90°	34.4 lm	0.5%
Back Light	3224.6 lm	42.6%
0°-30°	791.5 lm	10.5%
30°-60°	1918.0 lm	25.3%
60°-80°	494.7 lm	6.5%
80°-90°	20.4 lm	0.3%
Up Light	20.3 lm	0.2%
90°-100°	2.4 lm	0.0%
100°-180°	17.9 lm	0.2%

BUG* Rating

Asymmetrical Luminaire Types

Type I, II, III, IV B2 U2 G1

Quadrilateral Symmetrical Luminaire Types

Type V, Area Light B2 U2 G1

* Backlight, Uplight, Glare

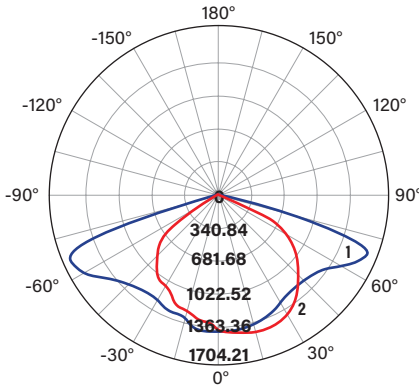
KT-WPLEDXXPS-M5-8CSB-VDIM

FULL CUTOFF WALL PACK WITH CHANGEABLE SHELL ACCESSORIES

PHOTOMETRIC SPECIFICATIONS (CONTINUED)

KT-WPLED35PS-M5-8CSB-VDIM

LUMINOUS INTENSITY DISTRIBUTION



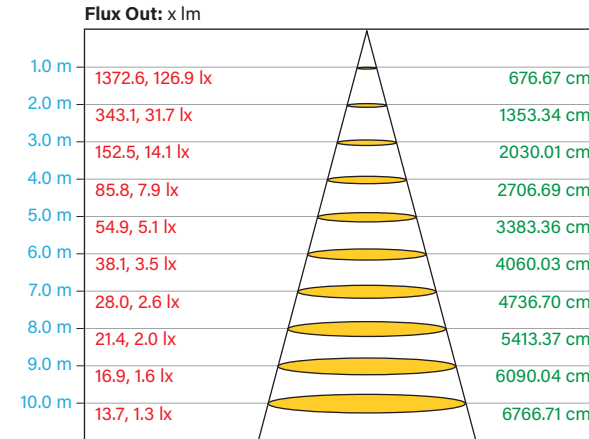
Average diffuse angle (x%): x°

1 Red C0 – C180

2 Blue C90 – C270

Unit: cd

LUX DISTANCE CURVE



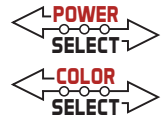
Curves show illuminated area and average illumination when lamp is at various distances.
 Angle: 147.07°

FLUX DISTRIBUTION

Zone	Lumens	% Luminaire
Forward Light	2781.3 lm	57.9%
0°-30°	571.4 lm	11.9%
30°-60°	1401.2 lm	29.2%
60°-80°	788.1 lm	16.4%
80°-90°	20.6 lm	0.4%
Back Light	2004.7 lm	41.7%
0°-30°	508.2 lm	10.6%
30°-60°	1079.5 lm	22.5%
60°-80°	405.5 lm	8.4%
80°-90°	11.5 lm	0.2%
Up Light	13.8 lm	0.2%
90°-100°	2.0 lm	0.0%
100°-180°	11.8 lm	0.2%

BUG* Rating	
Asymmetrical Luminaire Types	
Type I, II, III, IV	B2 U2 G1
Quadrilateral Symmetrical Luminaire Types	
Type V, Area Light	B2 U2 G1

* Backlight, Uplight, Glare



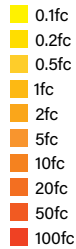
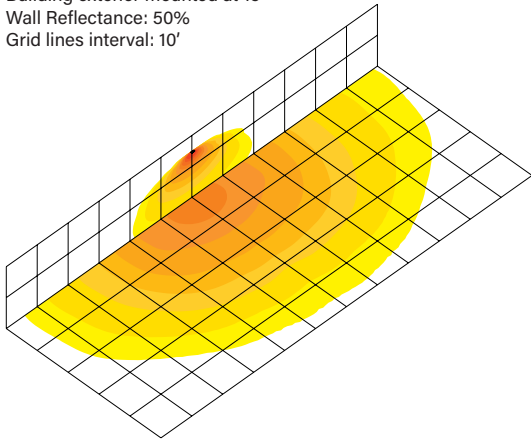
KT-WPLEDXXPS-M5-8CSB-VDIM

FULL CUTOFF WALL PACK WITH CHANGEABLE SHELL ACCESSORIES

LIGHT DISTRIBUTION PATTERNS

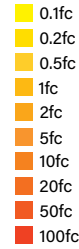
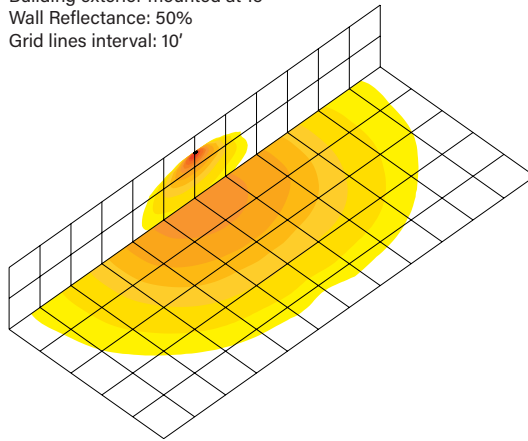
KT-WPLED80PS-M5-8CSB-VDIM

Building exterior mounted at 15'
Wall Reflectance: 50%
Grid lines interval: 10'



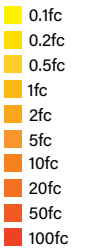
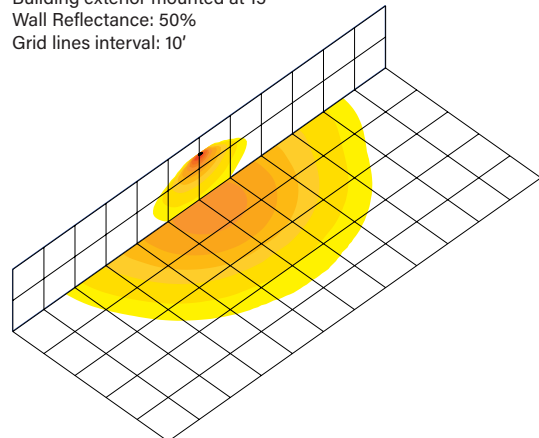
KT-WPLED55PS-M5-8CSB-VDIM

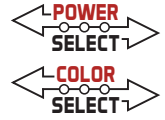
Building exterior mounted at 15'
Wall Reflectance: 50%
Grid lines interval: 10'



KT-WPLED35PS-M5-8CSB-VDIM

Building exterior mounted at 15'
Wall Reflectance: 50%
Grid lines interval: 10'

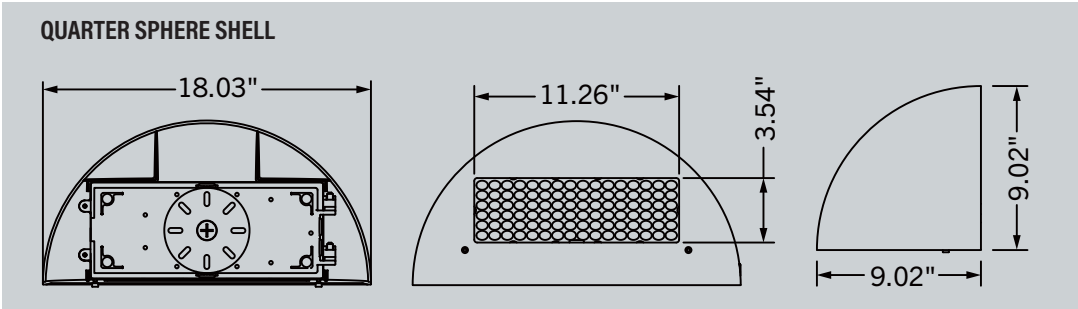
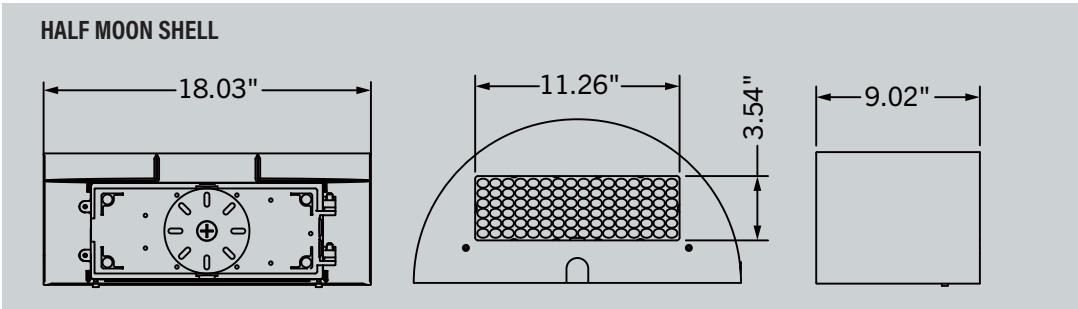
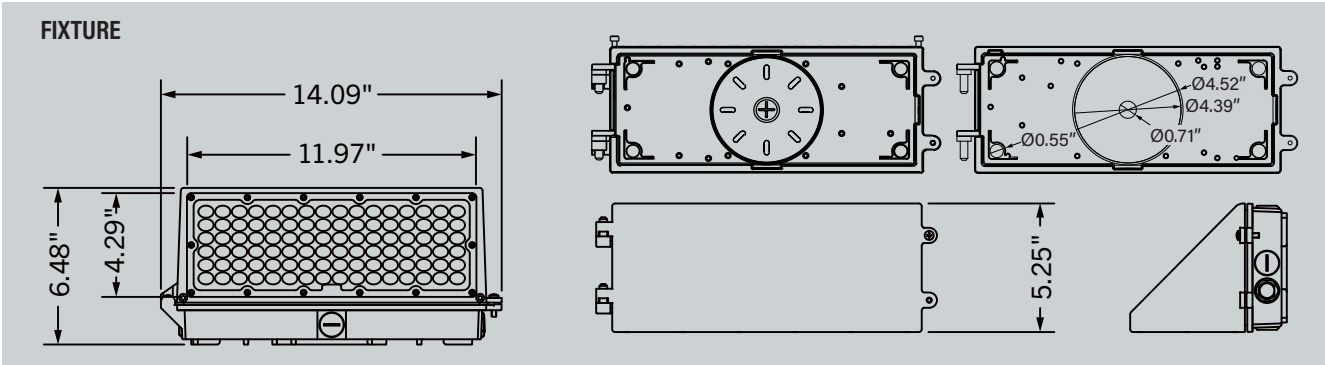




KT-WPLEDXXPS-M5-8CSB-VDIM

FULL CUTOFF WALL PACK WITH CHANGEABLE SHELL ACCESSORIES

PHYSICAL SPECIFICATIONS



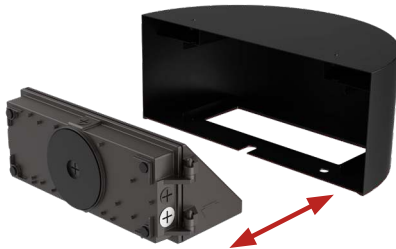
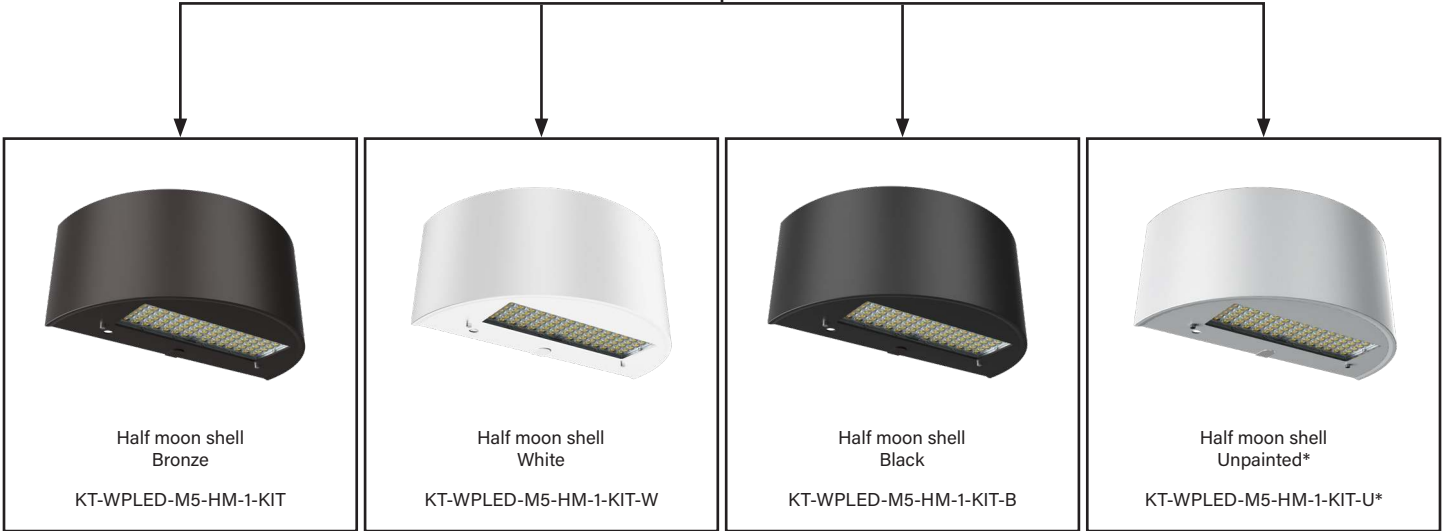
PACKAGING DIMENSIONS

Catalog Number	Carton Dimensions	Carton Weight
KT-WPLEDXXPS-M5-8CSB-VDIM	16.34" x 13.00" x 8.11"	8.18 lbs
KT-WPLED-M5-HM-1-KIT-X	19.29" x 10.24" x 8.46"	6.39 lbs
KT-WPLED-M5-QS-1-KIT-X	19.29" x 10.24" x 10.24"	5.07 lbs

KT-WPLEDXXPS-M5-8CSB-VDIM
FULL CUTOFF WALL PACK WITH CHANGEABLE SHELL ACCESSORIES

FORMFIT ACCESSORIES

HALF MOON SHELL



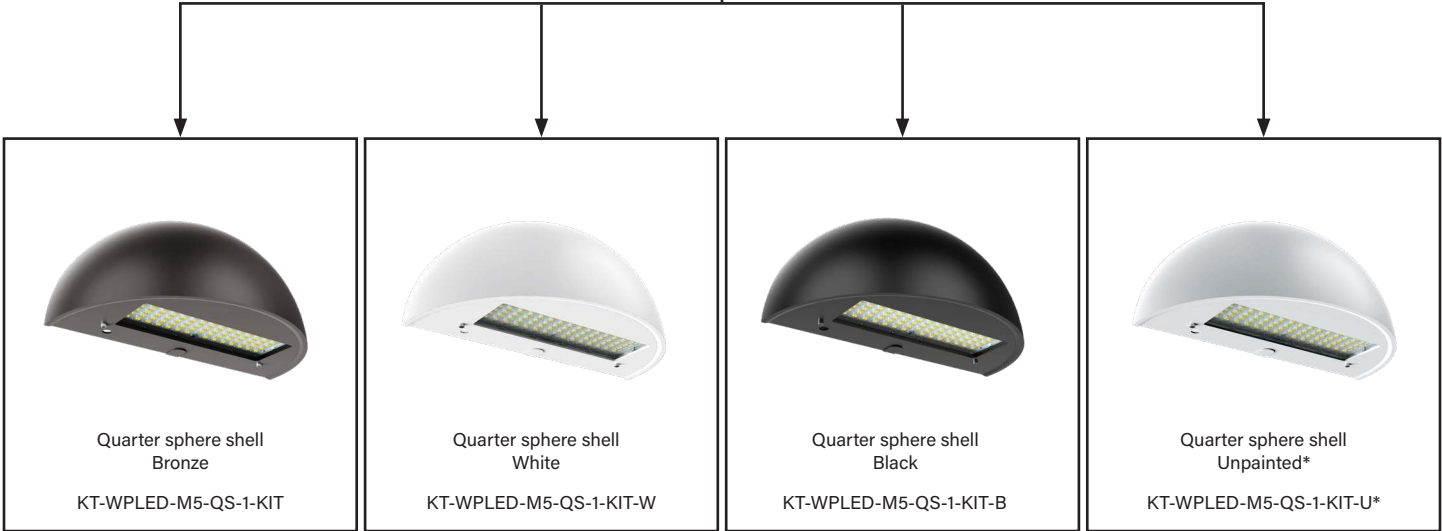
* Shell is unpainted. Custom colors available. Must provide specific Pantone or RAL number. Lead times apply

(Accessories continued on next page)

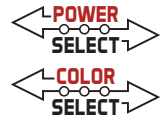
KT-WPLEDXXPS-M5-8CSB-VDIM
FULL CUTOFF WALL PACK WITH CHANGEABLE SHELL ACCESSORIES

FORMFIT ACCESSORIES (CONTINUED)

QUARTER SPHERE SHELL



* Shell is unpainted. Custom colors available. Must provide specific Pantone or RAL number. Lead times apply



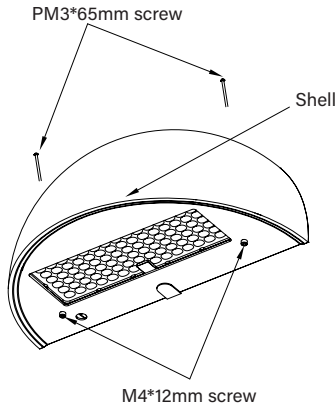
KT-WPLEDXXPS-M5-8CSB-VDIM

FULL CUTOFF WALL PACK WITH CHANGEABLE SHELL ACCESSORIES

FORMFIT SHELL INSTALLATION (SOLD SEPARATELY)

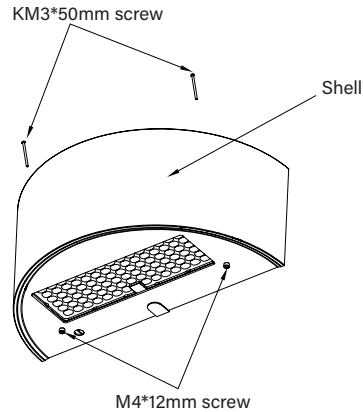
HALF MOON SHELL

Slide the half moon shell onto the full cutoff wall pack and tighten the (2) KM3*50mm screws (top of shell) and (2) M4*12mm screws (bottom of shell).



QUARTER SPHERE SHELL

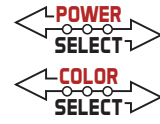
Slide the quarter sphere shell onto the full cutoff wall pack and tighten the (2) PM3*65mm screws (top of shell) and (2) M4*12mm screws (bottom of shell).



WATTAGE, CCT, AND PHOTOCELL ADJUSTMENT



Note: Fixtures are factory preset to their highest wattage and CCT values. Photocell preset to: OFF



KT-WPLEDXXPS-M5-8CSB-VDIM

FULL CUTOFF WALL PACK WITH CHANGEABLE SHELL ACCESSORIES

ACCESSORIES

Field-Installable / Field-Use ONLY (purchased separately)

CATALOG NUMBER	DESCRIPTION	HOUSING COLOR	UPC	EASY CODE
KT-WPLED-M5-HM-1-KIT	Half moon shell Used on series 5 full cutoff wall packs	Bronze	843654162515	HEF-83
KT-WPLED-M5-HM-1-KIT-W	Half moon shell Used on series 5 full cutoff wall packs	White	843654162539	VFS-17
KT-WPLED-M5-HM-1-KIT-B	Half moon shell Used on series 5 full cutoff wall packs	Black	843654162522	ITM-37
KT-WPLED-M5-HM-1-KIT-U*	Half moon shell Used on series 5 full cutoff wall packs	Unpainted	843654162546	CEB-42
KT-WPLED-M5-QS-1-KIT	Quarter sphere shell Used on series 5 full cutoff wall packs	Bronze	843654162478	UHK-82
KT-WPLED-M5-QS-1-KIT-W	Quarter sphere shell Used on series 5 full cutoff wall packs	White	843654162492	USH-81
KT-WPLED-M5-QS-1-KIT-B	Quarter sphere shell Used on series 5 full cutoff wall packs	Black	843654162485	VIV-91
KT-WPLED-M5-QS-1-KIT-U*	Quarter sphere shell Used on series 5 full cutoff wall packs	Unpainted	843654162508	HLM-26

* Shell is unpainted. Custom colors available. Must provide specific Pantone or RAL number. Lead times apply

ORDERING INFORMATION

CATALOG NUMBER	UPC	EASY CODE	DLC PRODUCT ID
KT-WPLED80PS-M5-8CSB-VDIM	843654162447	CNO-58	S-Z34ZH0
KT-WPLED55PS-M5-8CSB-VDIM	843654162454	CDP-56	S-HLHF7P
KT-WPLED35PS-M5-8CSB-VDIM	843654162461	LWX-90	S-F9Z2SD

CATALOG NUMBER BREAKDOWN

KT-WPLEDXXPS-M5-8CSB-VDIM

1	2	3	4	5	6	7	8	9	10	11
1 Keystone Technologies	2 Fixture Type	3 LED Fixture	4 Max Wattage	5 Power Select	6 Size	7 Shape	8 CRI	9 Color Select	10 Color Select Designation	11 Dimming
	WP Wall Pack				M Medium	5 Full Cutoff Wall Pack with FormFit	8 > 80		B 3000/4000/5000K	VDIM 0-10V