



LINEAR MODULES

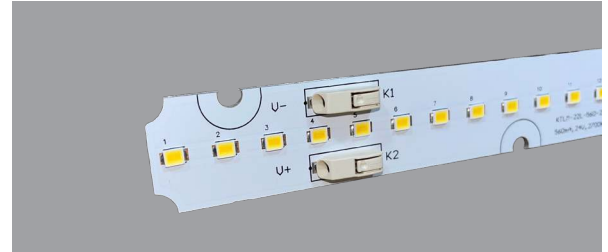
KTLM-11L-280-48-8XX /G2

HIGH-EFFICACY LED MODULES FOR LINEAR FIXTURE APPLICATIONS

DESCRIPTION



MODULE TYPE: Linear
MAX MODULE POWER: 13W
MAX DRIVE CURRENT: 280mA
COLOR RENDERING INDEX (CRI): > 80
RECOMMENDED WIRING: Parallel connection
WARRANTY: 5 years



PRODUCT FEATURES

- Slim Low Profile Led Modules for Linear Lighting Applications
- For use in Class 2 lighting systems
- Highly reflective white soldermask
- (2 sets) Low Profile Connectors per Module
- UL recognized components
- Aluminum substrate
- 3-step MacAdam color binning
- 80 CRI modules have a nominal 2,200 lumens/foot
- Reported L70 ≥ 54,000 hours @ < 85°C/185°F
- Calculated L70 ≥ 100,000 hours @ < 85°C/185°F
- Maximum board temperature at Tc point: 85°C/185°F

PERFORMANCE SPECIFICATIONS

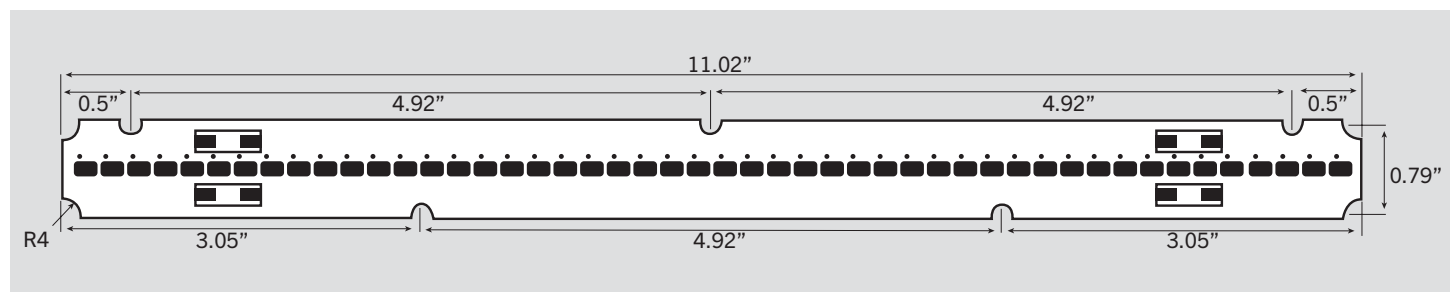
Drive Current (mA)	Volts	Watts	3000K		3500K		4000K		5000K	
			Flux	Efficacy	Flux	Efficacy	Flux	Efficacy	Flux	Efficacy
280	46.08	12.90	2087	162	2129	165	2259	175	2310	179
270	45.97	12.41	2023	163	2064	166	2189	176	2239	180
260	45.85	11.92	1961	165	1997	168	2193	184	2166	182
250	45.73	11.43	1895	166	1930	169	2051	179	2094	183
250	45.73	11.43	1895	166	1930	169	2051	179	2094	183
240	45.61	10.95	1829	167	1863	170	1980	181	2017	184
230	45.49	10.46	1761	168	1796	172	1906	182	1943	186
220	45.34	9.97	1694	170	1726	173	1833	184	1867	187
210	45.22	9.50	1626	171	1656	174	1758	185	1792	189
200	45.09	9.02	1555	172	1586	176	1683	187	1713	190
190	44.96	8.54	1486	174	1515	177	1607	188	1636	192
180	44.82	8.07	1416	176	1442	179	1530	190	1558	193
170	44.69	7.60	1343	177	1370	180	1452	191	1476	194
160	44.55	7.13	1271	178	1295	182	1373	193	1396	196
150	44.41	6.66	1199	180	1220	183	1294	194	1315	197

CIRCUIT SPECIFICATIONS

No. of LEDs in Series	No. of LEDs in Parallel
16	3

*Nominal Values Shown. Actual values may vary based on tolerance and ambient temperature.

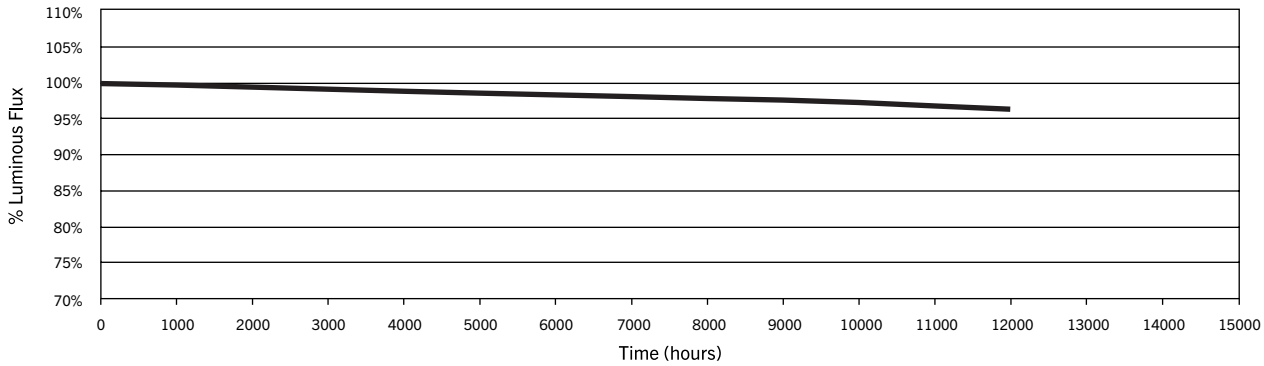
PRODUCT SPECIFICATIONS



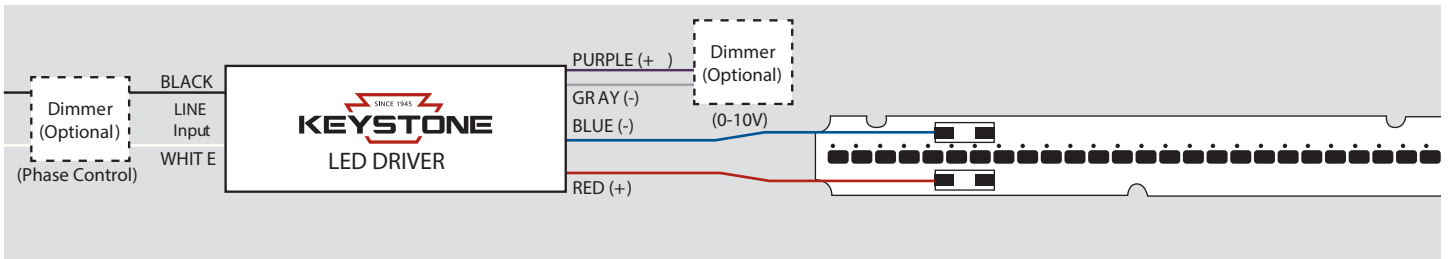
KTLM-11L-280-48-8XX /G2

HIGH-EFFICACY LED MODULES FOR LINEAR FIXTURE APPLICATIONS

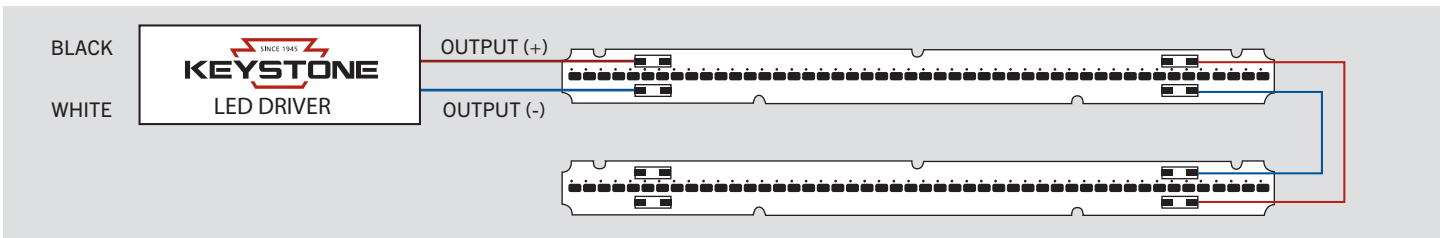
AVERAGE LUMEN MAINTENANCE VS. TIME



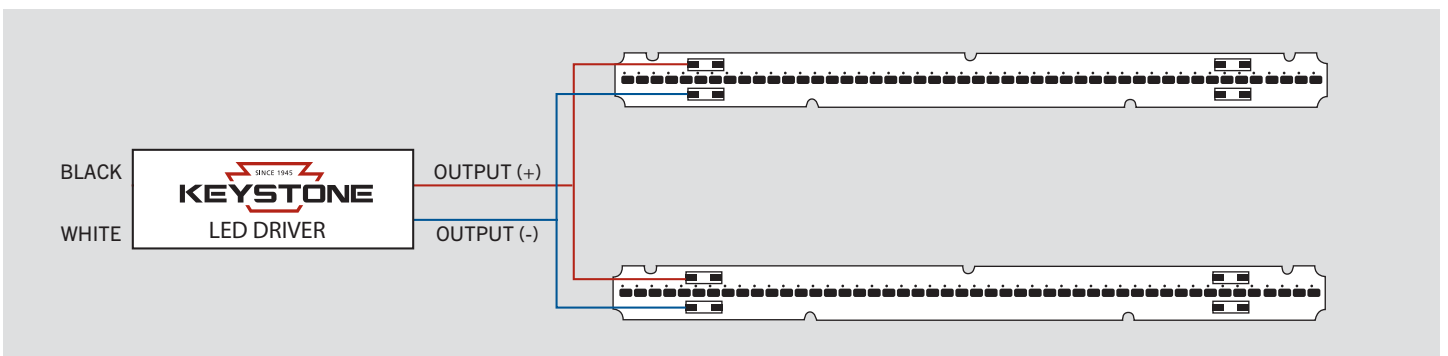
WIRING DIAGRAM (SINGLE MODULE)



WIRING DIAGRAM (PARALLEL OPTION 1)



WIRING DIAGRAM (PARALLEL OPTION 2)



* Not to exceed a total of 8' total length for end-to-end parallel connections and not to exceed 2A input into any one connector.

* Wiring Above assumes parallel wiring, please contact Keystone for assistance if other wiring configurations are required



LINEAR MODULES

KTLM-11L-280-48-8XX /G2

HIGH-EFFICACY LED MODULES FOR LINEAR FIXTURE APPLICATIONS

ORDERING INFORMATION

Order Code	Pack Quantity	Easy Code	UPC
KTLM-11L-280-48-830 /G2	1	843654150468	WYJ-00
KTLM-11L-280-48-835 /G2	1	843654150475	OHX-27
KTLM-11L-280-48-840 /G2	1	843654150482	KPG-65
KTLM-11L-280-48-850 /G2	1	843654150499	DZX-42

CATALOG NUMBER BREAKDOWN

KTLM-11L-280-48-8XX /G2

1

2

3

4

5

6

7

- 1 Keystone Technologies LED Module
- 2 Nominal Length
- 3 Max. Drive Current
- 4 Nominal Forward Voltage
- 5 80 CRI
- 6 Color Temperature
- 7 2nd Generation