



SMART PORT LED

KTSL-FC3-12V-PKO-PIR SCREW IN CONTROLLER WITH INTEGRATED SENSOR

DESCRIPTION

Bluetooth mesh wireless Smart Port LED controller for SmartLoop system with integrated daylight and PIR motion sensor.

APPLICATION

Ideal for warehouses, gymnasiums, corridors, and parking garages. Installs directly into Smart Port Gen 2 compatible Keystone products.



PRODUCT FEATURES

- For use with Smart Port Gen 2 compatible Keystone products
- Integrated motion and dynamic daylight sensor
- Commissioned via SmartLoop mobile app for iPhone
- Controlled via SmartLoop mobile app, keypad, and sensors
- Utilizes Bluetooth mesh technology for reliable and secure wireless communication
- Power outage recovery defaults to automatic on state

- Indicator LED communicates device status
- A gasket is provided for applications where water intrusion may be a concern. If using gasket, please take extra caution to confirm sensor is making proper electrical contact with the fixture receptacle before completing installation
- Design Covered under US Patent No. D1,055,737

Note: PIR sensors may not always perform reliably in typical outdoor environments. Ensure sensors are used and commissioned with this in mind. For more information, contact Keystone Technologies.

ELECTRICAL SPECIFICATIONS

Input Voltage	10-15VDC
Power Consumption	<0.5W
RF Transmit Power	8dBm
Max 0-10V Sinking Current	10mA
Wireless Frequency	2.4GHz
Wireless Range (Open Air)	100ft
Wireless Protocol	Bluetooth v5.0
Sensor Detection Height	40' max
Sensor Detection Angle	90°
Daylight Harvesting Range	0-2000 lux

ENVIRONMENTAL SPECIFICATIONS

Operating Temperature	-25°C/-13°F to 60°C/140°F
Storage Temperature	-40°C/-40°F to 80°C/176°F
Humidity	10-85%
Lifetime Rating	>100,000 hrs
Moisture and Dust Rating	IP65

FACTORY SETTINGS

Photo Sensor	Enabled
Motion Sensitivity	100%
Motion Sensor	Enabled
Motion Mode	Occupancy
Hold Time	20m
Standby Time	1m
Standby Percentage	50%

SAFETY AND EMC COMPLIANCE

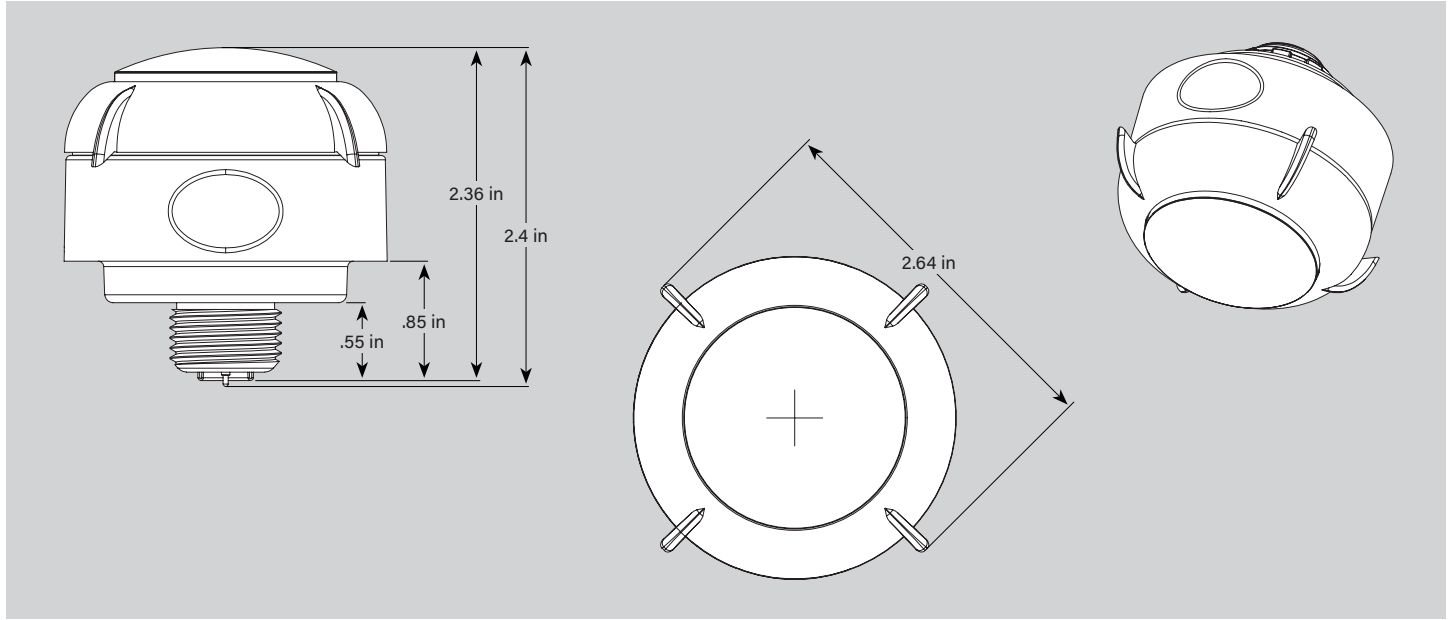
UL/cUL	UL8750
FCC	Part 15.247



SMART PORT LED

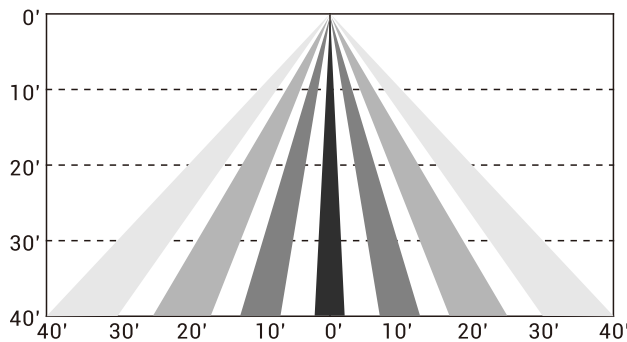
KTSL-FC3-12V-PKO-PIR SCREW IN CONTROLLER WITH INTEGRATED SENSOR

PHYSICAL SPECIFICATIONS

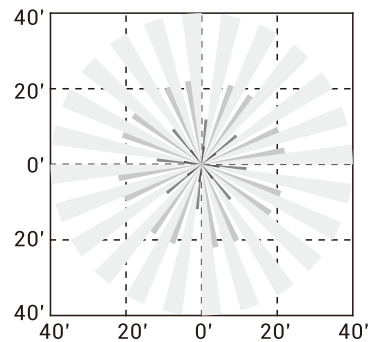


LENS COVERAGE

HBL1 Coverage Side View



HBL1 Coverage Top View



INSTALLING

1. Remove screw cover on Smart Port Gen 2 compatible Keystone product.
2. Screw in sensor until snug, using appropriate gasket to ensure watertight seal (if applicable).* When sensor is connected, the fixture will dim down quickly and back up as sensor is tightened, and blue light will illuminate behind lens of sensor to confirm secure connection.

**If using gasket, please take extra caution to confirm sensor is making proper electrical contact with the fixture receptacle before completing installation. It is recommended to install the sensors with the fixtures powered on to see the connection being made in real-time.*

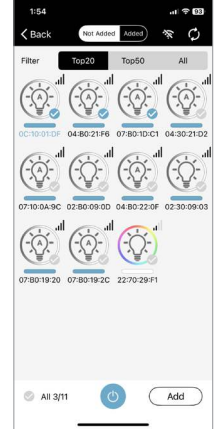


SMART PORT LED

KTSL-FC3-12V-PKO-PIR SCREW IN CONTROLLER WITH INTEGRATED SENSOR

COMMISSIONING

1. Search for 'SmartLoop' on the app store for iPhone (iOS 8.0 or later, and Bluetooth 4.0 or later).
2. With controllers installed and lights powered on, press + or Click to Add. The app will begin searching for available lights.
3. Check each light to be commissioned to the region.
4. Press Add to confirm selections. The selected lights will now appear on the Lights page.
5. For further system commissioning, see User Manual at www.keystonetech.com.



FACTORY RESET

Decommissioning can be done by deleting a controller from the region, a power reset sequence, or by using the reset button for certain models.

In the app:

The phone/tablet must be connected to the device through the mesh network in order for the controller to be factory reset. Otherwise, the light will simply be removed from the region in the app, and the controller will need to be factory reset using one of the other methods below.

1. Go to the Lights page.
2. Press Select and check the desired lights to decommission.
3. Press Delete and confirm.

Power cycle reset sequence:

If a controller is assigned to another region, it will not appear when searching for new fixtures. Perform the below power cycle sequence to factory reset the controller.

1. Power on for 1 second, then off for 10 seconds.
2. Power on for 1 second, then off for 10 seconds.
3. Power on for 1 second, then off for 10 seconds.
4. Power on for 10 seconds, then off for 10 seconds.
5. Power on for 10 seconds, then off for 10 seconds.
6. Turn the light back on. The device should now be decommissioned and ready to add to a region.

Reset button:

While installed in a powered lamp, press and hold reset button for 3 seconds to initiate a factory reset.





SMART PORT LED

KTSL-FC3-12V-PKO-PIR
 SCREW IN CONTROLLER WITH INTEGRATED SENSOR

ORDERING INFORMATION

ORDER CODE	PACK QTY.	UPC	EASY CODE
KTSL-FC3-12V-PKO-PIR	20	843654138862	OCW-60

CATALOG NUMBER BREAKDOWN

KTSL-FC3-12V-PKO-PIR

1
2
3
4
5
6
7

- 1** Keystone Technologies SmartLoop
- 2** Fixture Controller
- 3** Design Style 3
- 4** Low Voltage
- 5** Pin Connection
- 6** Knock Out
- 7** PIR Sensor Type