

PRODUCT FEATURES

- ANSI Designation: M57 or H39
- Line Voltage: 120/208/240/277/480
- Regulation: 10%
- Frequency: 60 Hz
- Recommended Fuse (A): 5/3/3/2/2
- Circuit Type: CWA (Without Ignitor)
- Insulation Class: 180°C
- Capacitor Value: 10 uF
- Capacitor Voltage Rating: 400 V
- Capacitor Temperature Rating: 105°C
- Winding Materials: Cu/Al
- Lamp Starter: N/A
- Agency Certification: RU, cRU
- Maximum Distance to Lamp: N/A
- 2 Year Warranty

LAMP TYPE: 175W MH

INPUT VOLTAGE: 5 Tap (120/208/240/277/480)

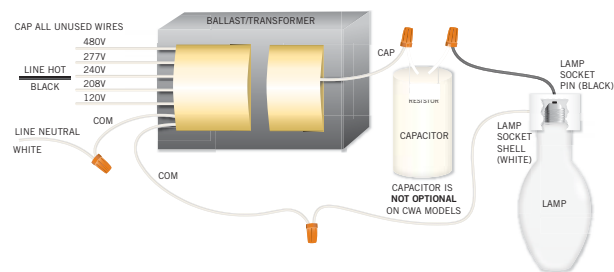
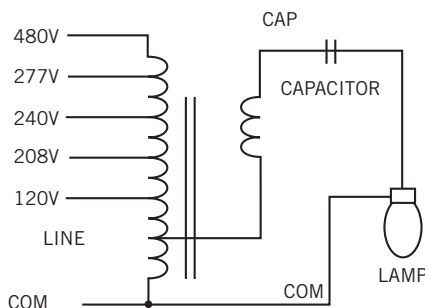
CIRCUIT TYPE: CWA (Without Ignitor)

ELECTRICAL SPECIFICATIONS

| LINE VOLT (V) | POWER FACTOR | LINE CURRENT | | | INPUT POWER (W) | OPEN CIRCUIT VOLTAGE (V) | MINIMUM START TEMP | UL TEMP CODE | WIRING DIAGRAM |
|---------------|--------------|--------------|------|-------|-----------------|--------------------------|--------------------|--------------|----------------|
| | | OPERATING | OPEN | START | | | | | |
| 120 | High | 1.92 | 1.88 | 1.31 | 219 | 303 | -30°C | C | H8 |
| 208 | High | 1.07 | 1.09 | 0.73 | 219 | 303 | -30°C | C | H8 |
| 240 | High | 0.95 | 0.95 | 0.63 | 219 | 303 | -30°C | D | H8 |
| 277 | High | 0.80 | 0.82 | 0.56 | 219 | 303 | -30°C | C | H8 |
| 480 | High | 0.46 | 0.48 | 0.33 | 219 | 303 | -30°C | D | H8 |

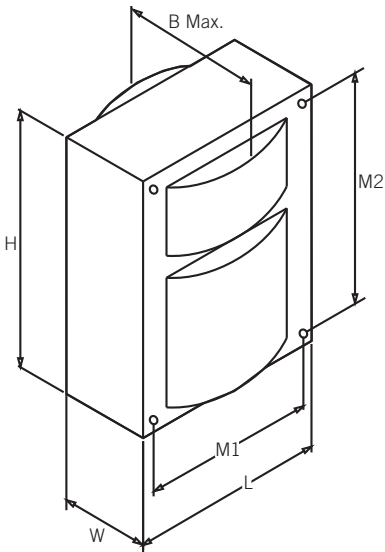
WIRING DIAGRAMS

DIAGRAM H8



COLORS SHOWN REPRESENT THE MOST COMMON CONFIGURATION. HOWEVER, DEPENDING ON THE APPLICATION AND LOCAL CODE, SLIGHT DIFFERENCES MAY EXIST.

CASE STYLE/DIMENSIONS



OVERALL DIMENSIONS

| |
|---------------|
| LENGTH: 2.83" |
| WIDTH: 2.42" |
| HEIGHT: 3.94" |
| B MAX: 4.02" |

MOUNTING HOLES

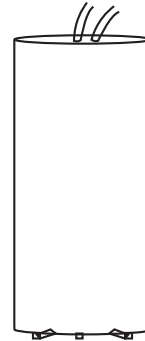
| |
|-----------------|
| DIAMETER: 0.25" |
| M1: 2.45" |
| M2: 3.50" |

BRACKET DIMENSIONS

| |
|---------------|
| LENGTH: 5.50" |
| WIDTH: 1.25" |

LEAD LENGTH: 12"

BALLAST NET WEIGHT: 6.95 lbs



CAPACITOR INFO

| |
|----------------|
| WATTAGE: 175 |
| MICROFARAD: 10 |
| VOLTAGE: 400V |
| TYPE: Dry Film |

ORDERING INFORMATION

| ORDER CODE | PACKAGING STYLE | PACK QTY. | ITEM STATUS |
|---|-----------------|-----------|-------------|
| MH-175A-P-KIT | | 1 | Quick Ship |
| *Kit Includes: Pre-Wired Ballast, Capacitor, Mounting Brackets, Mounting Hardware | | | |

CATALOG NUMBER BREAKDOWN

MH-175A-P-KIT

