

FLOOD LIGHT

A stunning blend of performance, value and aesthetics, the **MPulse Flood Light** is available in a wide range of lumen packages to address a variety of outdoor lighting needs. The Flood Light can be combined with a full, architectural-grade LED family to create a total site solution for commercial, municipal, retail, education, and hospitality applications. Optional visual comfort optics distribute light through a non-pixelated light source that creates uniform, eye-pleasing illumination with minimal glare. The high-performance, IP66-rated luminaire delivers a minimum of 120 lumens per watt, providing significant energy savings while remaining durable in the field.



28/55W
(TRUNNION WITH 1/2"
THREADED NIPPLE)



28/55W
(VISUAL COMFORT)



100/130W
(TRUNNION AND SILVER
FINISH)



100/130W
(SLIPFITTER KNUCKLE)

PERFORMANCE:

- Available in 4 wattages (28/55/100/130) and 3,300lm-16,000lm
- Calculated lumen maintenance value L70 at 130,000 hours at 25°C
- 120-277V dimming standard. 347-480V options available
- 10KV surge suppression standard

OPTICS:

- Available in 5 Optics, Narrow 22° (4x4), Medium 55° (5x5), Wide 85° (6x6), Rectangular 100°x35° (7x4), and Visual Comfort (28/55W only)

OPTIONS:

- 120V-277V Button Photocontrol (28W/55W only)
- NEMA 3-pin and 7-pin photocontrol twistlock receptacle (100-130W only)
- Programmable PIR photo/motion sensor (requires FSIR-100 remote control to program)

CONTROLS:

Photo/Motion Sensor: External programmable passive infrared (PIR) photometric sensor. Factory settings can be adjusted via the FSIR-100, a wireless configuration tool. **Note that the sensor comes with photocell setting disabled and the FSIR-100 must be purchased if photocell functionality is desired.**

RPC, PR7 Options: NEMA Standard C136.41 3-pin and 7-pin twist lock photocontrol receptables offer either on/off or programmable dimming control when used with 3rd party distributed controls. Twist lock photocontrols or intelligent control modules sold separately.

FINISHES:

- Satin bronze finish standard
- Also available in silver
- Additional colors available for custom orders

CONSTRUCTION:

- Die Cast Aluminum housing
- Tempered Glass Lens

MOUNTING:

- Trunnion swivel (included with 1/2" threaded nipple 28/55W only)
- 2-3/8" slipfitter knuckle, and knuckle surface mount available
- Approved for face up applications

ENVIRONMENT:

- Listed for use in wet locations to UL standards and IP66 rated

PHOTOMETRICS:

- Please see page 5 for Iso-footcandle layouts

FLOOD LIGHT

SPECIFICATIONS:

ITEM	SPECIFICATION	28 WATTS - DETAILS	55 WATTS - DETAILS	100 WATTS - DETAILS	130 WATTS - DETAILS
GENERAL PERFORMANCE	Input Power (W)	28W	55W	100W	130W
	Lumens Delivered @ 4000K (lm)	3,100	6,600	12,000	15,000
	Lumens Delivered @ 5000K (lm)	3,300	7,000	13,000	16,000
	Efficacy (lm/W)	110-125			
	CRI	>70 (VC=80)			
	Calculated Lumen Maintenance (L70, TM-21 @ 25°C)	>100,000 hours			
	Color Temperature	Available in 4000K & 5000K			
ELECTRICAL	Input Voltage	120-277V dimming standard; 347-480V dimming options available			
	Max THD %	10%			
	Power Factor	>90%			
PHYSICAL	Housing	Die-cast aluminum			
	Weight	15lb	15lb	20lb	20lb
	EPA	1.33	1.33	1.62	1.62
CERTIFICATION	Certification	cULus listed			
	Environment	Wet location listed, IP66			
	Warranty	10 years			
	Operating Temperature	-40°F - 122°F (-40°C - 50°C)			
	Humidity	10% - 90% RH, non condensing			

*Lighting layouts available upon request.

MODEL SELECTION		Typical order example: MP-FL28UW-50BTS									
MP	FL	WATTAGE		VOLTAGE	BEAM SPREAD	VISUAL	CCT	FINISH	MOUNTING		OPTIONS
MP= MPulse	FL= Flood Light	28= 28W, 100W PSMH equiv.	55= 55W, 150W PSMH equiv.	U= 120-277V	N= Narrow 22° (4x4)	(Omit)= No VC	40= 4000K	B= Bronze	TS= Trunnion Swivel (28/55W include 1/2" threaded nipple)	(BLANK)= None	
		100= 100W, 250W PSMH equiv.	130= 130W, 400W PSMH equiv.	H= 347-480V	M= Medium 55° (5x5)	VC8= VC 80 CRI	50= 5000K	S= Silver	SK= Knuckle Slipfitter	MS= Photo/Motion Sensor	
					W= Wide 85° (6x6)			KS= Knuckle Surface Mount	RPC= NEMA 3-Pin Photocell Receptacle (100/130W only; Photocell sold separately)	PR7= NEMA 7-Pin Photocell Receptacle (100/130W only; Control module sold separately)	
					R= Rectangular 100°x35° (7x4)			PC= 120-277V Button Photocell 28/55 only			

PHOTOMETRIC PERFORMANCE (4000K):

WATTAGE	NARROW	MEDIUM	WIDE	RECTANGULAR
	LUMENS			
28W	3,562	3,409	3,211	3,406
55W	7,259	6,932	6,726	6,803
100W	13,967	13,369	12,845	13,059
130W	16,582	15,778	15,230	15,476

PHOTOMETRIC PERFORMANCE (5000K):

WATTAGE	NARROW	MEDIUM	WIDE	RECTANGULAR
	LUMENS			
28W	3,526	3,375	3,179	3,372
55W	7,177	6,913	6,659	6,735
100W	13,828	13,236	12,717	12,929
130W	16,555	15,617	15,074	15,238

FLOOD LIGHT

ACCESSORIES:

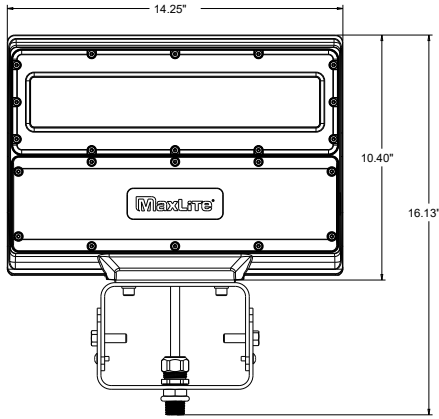
ITEM ACCESSORY	ITEM NAME	ITEM DESCRIPTION	PRODUCT IMAGE
Photocontrols	6390LBK	Twist-Lock Electronic Photocontrol 120/208/240/277V	
	6394LL	Twist-Lock Electronic Photocontrol 432-528VAC	
Remote Control	FSIR-100	Remote Handheld Configuration Tool	
Visors/ Louvers	MP-FL28/55-TBV-B	Top or Bottom Visor 28/55W (order 2 for full visor)	
	MP-FL100/130-TBV-B	Top or Bottom 100/130W (order 2 for full visor)	
	MP-FL28/55-SDV-B	Side Visor 28/55W	
	MP-FL100/130-SDV-B	Side Visor 100/130W	
	MP-FL28-HCL-B	Honeycomb Louver 28W	
	MP-FL55-HCL-B	Honeycomb Louver 55W	
	MP-FL100/130-HCL-B	Honeycomb Louver 100/130W	
Vandal Shields	MP-FL28/55 -VS-B	Vandal Shield 28/55W	
	MP-FL100/130-VS-B	Vandal Shield 100/130W	



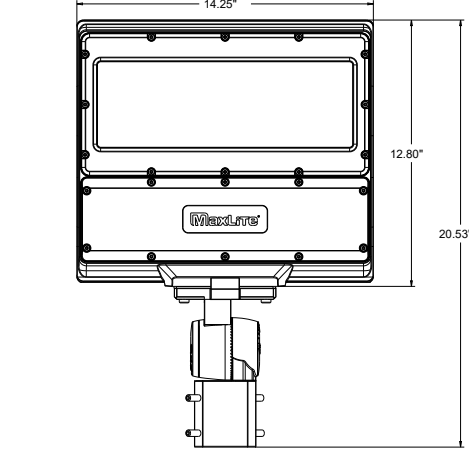
FLOOD LIGHT

DIMENSIONS:

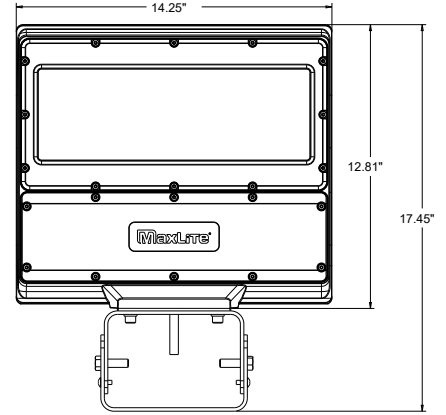
28/55W



100/130W

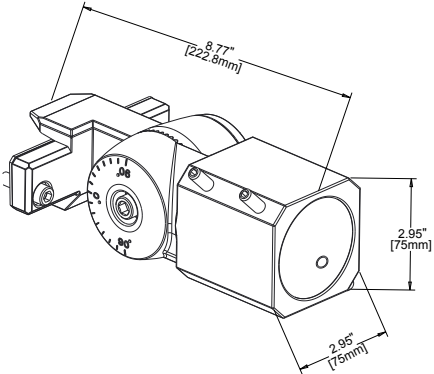


100/130 W

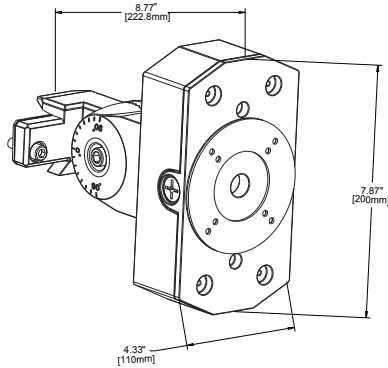


MOUNTING DIMENSIONS:

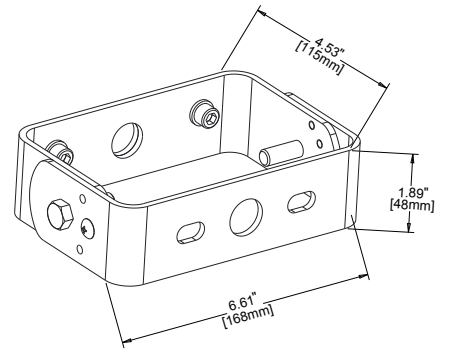
SLIPFITTER KNUCKLE MOUNT
QMP-SK



KNUCKLE SURFACE MOUNT
QMP-KS



TRUNNION SWIVEL MOUNT
QMP-TS





FLOOD LIGHT

ISOFOOTCANDLE:

Each gridline represents one mounting height.

For mounting heights other than noted multiply FC by the below factor.

$$\text{Factor} = \frac{(\text{Chart's Mtg Height})^2}{(\text{Actual Mtg Height})^2}$$

LEGEND

- 0.5 fc
- 1 fc
- 2 fc
- 5 fc

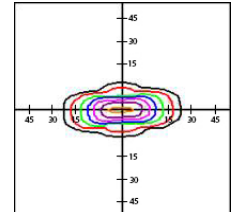
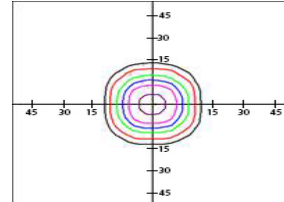
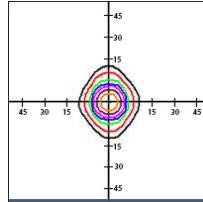
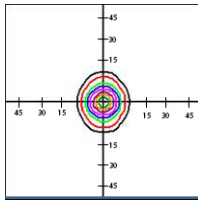
NARROW

MEDIUM

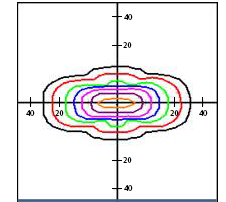
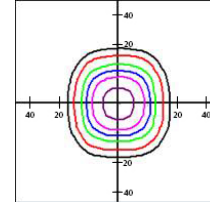
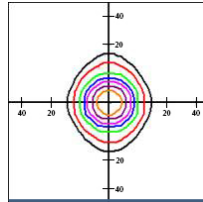
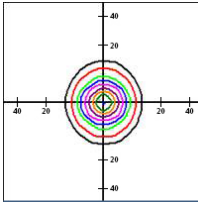
WIDE

RECTANGULAR

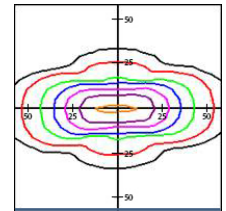
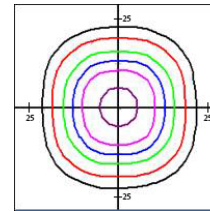
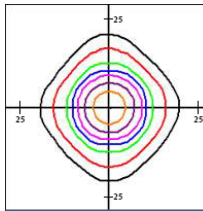
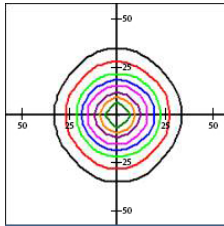
28 WATT
15' ft Set back



55 WATT
20' ft Set back



100 WATT
25' ft Set back



130 WATT
30' ft Set back

