

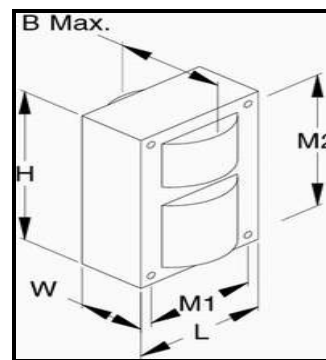
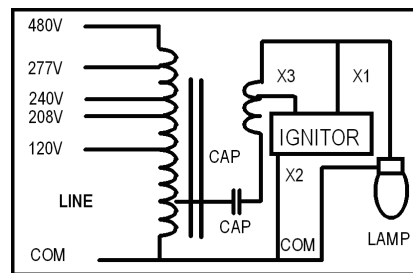
Specification Sheet

Catalog Number: MPS-175A-P-HP 175W Metal Halide Pulse Start

General Information

Lamp Type	175W MH-PS
ANSI Designation	M137or M152
Line Voltage (V)	120/208/240/277/480
Regulation	10%
Frequency (Hz)	60
Recommended Fuse (A)	5/3/3/2/2
Circuit Type	CWA
Insulation Class	180°C
Capacitor Value	11 MF
Capacitor Voltage Rating	370 V
Cap. Temp. Rating	90°C
Winding Materials (Pri/Sec)	Cu/Cu
Lamp Starter	XG-04
Agency Certification	RU, cRU
Maximum Distance to Lamp	N/A

Wiring Diagram



Electrical Characteristics

Line Volt (V)	Power Factor	Line Current (A)			Input Power (W)	Open Circuit Voltage (V)	Min Start Temp.	UL Temp. Code
		Operating	Open	Start				
120	High	1.69	1.79	1.00	198	282	-30°C	A
208	High	0.98	1.04	0.58	198	282	-30°C	A
240	High	0.85	0.91	0.50	198	282	-30°C	A
277	High	0.73	0.73	0.48	198	282	-30°C	A
480	High	0.42	0.45	0.43	198	282	-30°C	A

Physical Characteristics

Overall Dimensions (Inches)				Mounting Holes (Inches)			Bracket Dimension (Inches)		Ballast Net Weight (KG)	Lead Length (Inches)
Length	Width	Height	B max.	Diameter	M1	M2	Length	Width		
2.81	3.07	3.94	4.85	0.25	2.44	3.50	5.5	1.18	4.24	12-14