

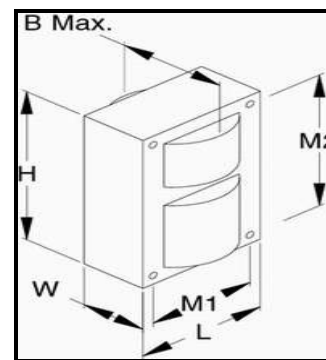
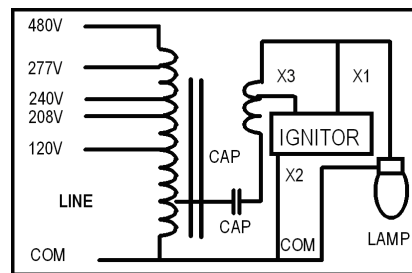
Specification Sheet

Catalog Number: MPS-350A-P-CA 350W Metal Halide Pulse Start

General Information

Lamp Type	350W MH PS
ANSI Designation	M131/ M171
Line Voltage (V)	120/208/240/277/480
Regulation	10%
Frequency (Hz)	60
Recommended Fuse (A)	10/7/5/5/3
Circuit Type	CWA
Insulation Class	180°C
Capacitor Value	22.5 MF
Capacitor Voltage Rating	345 V
Cap. Temp. Rating	90°C
Winding Materials (Pri/Sec)	Cu/Al
Lamp Starter	XG-04
Agency Certification	RU, cRU
Maximum Distance to Lamp	N/A

Wiring Diagram



Electrical Characteristics

Line Volt (V)	Power Factor	Line Current (A)			Input Power (W)	Open Circuit Voltage (V)	Min Start Temp.	UL Temp. Code
		Operating	Open	Start				
120	High	3.50	2.75	2.82	397	294	-30°C	A
208	High	2.02	1.61	1.65	397	294	-30°C	C
240	High	1.75	1.39	1.42	397	294	-30°C	B
277	High	1.51	1.20	1.22	397	294	-30°C	C
480	High	0.87	0.70	0.70	397	294	-30°C	C

Physical Characteristics

Overall Dimensions (Inches)				Mounting Holes (Inches)			Bracket Dimension (Inches)		Ballast Net Weight (KG)	Lead Length (Inches)
Length	Width	Height	B max.	Diameter	M1	M2	Length	Width		
4.25	1.93	4.75	4.13	0.25	3.87	4.38	7.25	1.11	4.69	12-14