

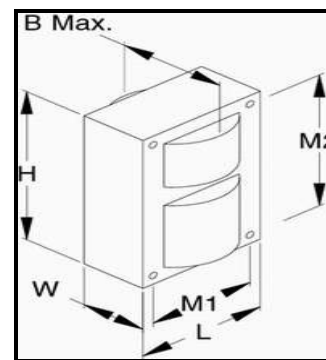
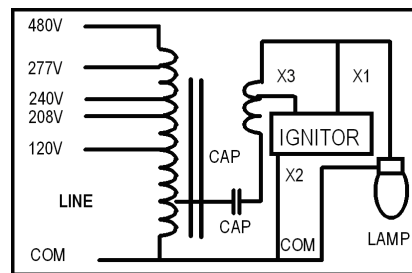
# Specification Sheet

**Catalog Number: MPS-400A-P-CA 400W Metal Halide Pulse Start**

## General Information

Lamp Type	400W MH PS
ANSI Designation	M135 or M155
Line Voltage (V)	120/208/240/277/480
Regulation	10%
Frequency (Hz)	60
Recommended Fuse (A)	10/7/5/5/3
Circuit Type	CWA
Insulation Class	180°C
Capacitor Value	26 MF
Capacitor Voltage Rating	330 V
Cap. Temp. Rating	90°C
Winding Materials (Pri/Sec)	Cu/Al
Lamp Starter	XG-04
Agency Certification	RU, cRU
Maximum Distance to Lamp	N/A

## Wiring Diagram



## Electrical Characteristics

Line Volt (V)	Power Factor	Line Current (A)			Input Power (W)	Open Circuit Voltage (V)	Min Start Temp.	UL Temp. Code
		Operating	Open	Start				
120	High	3.85	2.55	3.12	454	277	-30°C	D
208	High	2.20	1.49	1.79	454	277	-30°C	E
240	High	1.92	1.29	1.61	454	277	-30°C	E
277	High	1.67	1.11	1.42	454	277	-30°C	E
480	High	0.96	0.64	0.80	454	277	-30°C	E

## Physical Characteristics

Overall Dimensions (Inches)				Mounting Holes (Inches)			Bracket Dimension (Inches)		Ballast Net Weight (KG)	Lead Length (Inches)
Length	Width	Height	B max.	Diameter	M1	M2	Length	Width		
4.25	2.11	4.75	4.72	0.25	3.88	4.38	7.25	1.11	5.15	12-14