

**BRILLIANCE<sup>®</sup>**  
**LED**  
A HIGHER LIGHT FORM<sup>®</sup>

PRODUCT REFERENCE GUIDE **2017**



# BRILLIANCE LED<sup>®</sup>

is passionate about leading the landscape lighting industry into a fully energy efficient LED market with the highest quality products at the most cost effective prices. We strive to provide honest and exemplary customer service to our international network of distributors. At the forefront of all that we do is the mission of **preserving our planet through sustainable goals.**

Here at Brilliance LED, we value **respect, faith and humility.** We seek to offer the finest craftsmanship, tooling, quality control, warranties, in-house engineering, contractor tech support and customer service.

Whether you are in commercial or residential markets, we are your one stop manufacturer for high-performance landscape retrofit lamps. We are eager to reach and meet our customer's needs; whether you are a distributor, contractor, or homeowner we are here for you. Make use of all our resources and give us a call anytime we can help.

From the entire Brilliance LED Family, **thank you** for your loyalty and support.

Brilliance LED lamps are patented under D735369, D735370, D735371, D735372, D735373.

Brilliance LED® is a registered trademark.

"A Higher Light Form®" is a registered trademark of Brilliance LED.

© 2017 Brilliance LED®, LLC. All Rights Reserved.

Product images are for illustration purposes only. Actual products may vary. All products, product specifications and data are subject to change without notice to improve reliability, function, design or otherwise.

-Front cover photograph courtesy of McKay Landscape Lighting-



# TABLE OF CONTENTS

<b>LOW VOLTAGE</b>	MICRO G-4	1
	MICRO T-5	2
	BEACON G-4	3
	BEACON T-5	4
	BEACON SCB	5
	BEACON DCB	6
	BEACON S8	7
	G-4 ROUND WAFER	8
	G-4 RECTANGLE WAFER	9
	MR-8	10
	MR-11	11
	AR-11	12
	MR-16 ECOSTAR	13
	MR-16 PREMIUM	14
	MR-16 EDGE	15
	PAR-36	16
	S-14 12V	17
	CANDELABRA 12V	18
	STRIP LIGHT	19
	LIGHT BAR	21
AQUABEAM	22	
BRILLIANCE DIMMER	23	
<b>LINE VOLTAGE</b>	PAR-20	24
	PAR-30	25
	PAR-38	26
	GU-10 EDGE	27
	PAR-16 EDGE	28
	G-9 EDGE	29
	A-19 EDGE FILAMENT	30
	S-14 EDGE FILAMENT	31
	S-21 EDGE FILAMENT	32
	CANDELABRA EDGE FILAMENT	33
	Photometrics	34
	Volt Amps	39
	UPC Index	40
Warranty	44	
Contact	45	

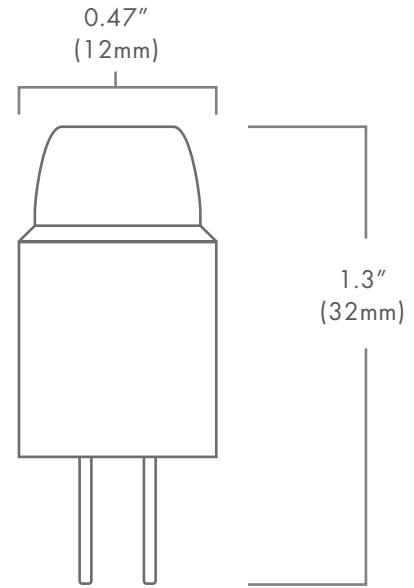
# MICRO G-4

## DESCRIPTION:

The Brilliance LED Micro G-4 Bipin is a sub-compact LED that utilizes Samsung's chipset and also features Brilliance LED's multi-directional beam pattern. This Micro G-4 bipin is energy efficient and water resistant. Designed specifically for landscape retrofit, ideal for pathway lighting fixtures and step lights.

## FEATURES:

- New ceramic technology
- Dimmable with most magnetic transformers

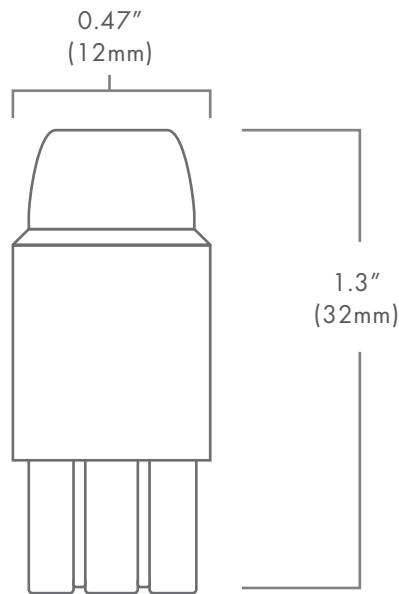


PART NUMBER: BRI MICRO G4 XXXX

2700	KELVIN/COLOR
3000	
5700	
RED	
GREEN	
BLUE	
AMBER	

Wattage	1.2
Lumens	100
Kelvin Temperature	2700, 3000, 5700 Red, Green, Blue, Amber
Operating Range	10-14 VAC
Input Voltage	12VAC/DC
Replaces	10W Halogen
CRI	85
IP	65
Chipset	Samsung
Lamp Life (hours)	35,000
Warranty (years)	3





PART NUMBER: BRI MICRO T5



## DESCRIPTION:

The Brilliance LED Micro T-5 Wedge is a sub-compact LED that utilizes Samsung's chipset and also features Brilliance LED's multi-directional beam pattern. This Micro T-5 Wedge is energy efficient and water resistant. Designed specifically for landscape retrofit, ideal for pathway lighting fixtures and step lights.

## FEATURES:

- New ceramic technology
- Dimmable with most magnetic transformers

Wattage	1.2
Lumens	100
Kelvin Temperature	2700
Operating Range	10-14 VAC
Input Voltage	12VAC/DC
Replaces	10W Halogen
CRI	85
IP	65
Chipset	Samsung
Lamp Life (hours)	35,000
Warranty (years)	3

# BEACON G-4

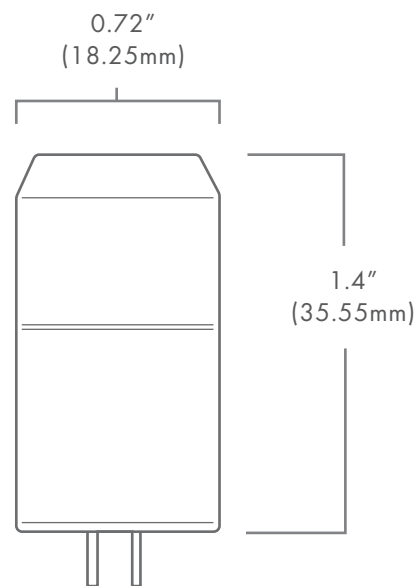
## DESCRIPTION:

The Brilliance LED Beacon G-4 Bipin is a sub-compact LED that utilizes the Epistar chipset and also features Brilliance LED's multi-directional beam pattern. This bipin is energy efficient and water resistant. Designed specifically for landscape retrofit application, ideal for pathway lighting fixtures and step lights.

## FEATURES:

- New ceramic technology
- Dimmable with most magnetic transformers

Wattage	2
Lumens	200
Beam Spread	multi-directional
Kelvin Temperature	2700, 3000, 5700
Operating Range	8-25V AC
Replaces	20W Halogen
CRI	84
IP	65
Chipset	Epistar
Lamp Life (hours)	35,000
Warranty (years)	5

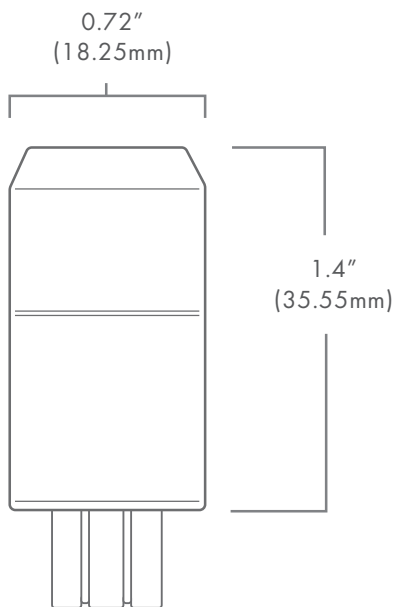


PART NUMBER: BRI BEACON G4 XXXX

2700  
3000  
5700

KELVIN TEMPERATURE





PART NUMBER: BRI BEACON T5 XXXX

2700	KELVIN TEMPERATURE
3000	
5700	



## DESCRIPTION:

The Brilliance LED Beacon T-5 Wedge is a sub-compact LED that utilizes the Epistar chipset and also features Brilliance LED's multi-directional beam pattern. This T-5 is energy efficient and water resistant. Designed specifically for landscape retrofit application, ideal for pathway lighting fixtures and step lights.

## FEATURES:

- New ceramic technology
- Dimmable with most magnetic transformers

Wattage	2
Lumens	200
Beam Spread	multi-directional
Kelvin Temperature	2700, 3000, 5700
Operating Range	8-25V AC
Replaces	20W Halogen
CRI	84
IP	65
Chipset	Epistar
Lamp Life (hours)	35,000
Warranty (years)	5

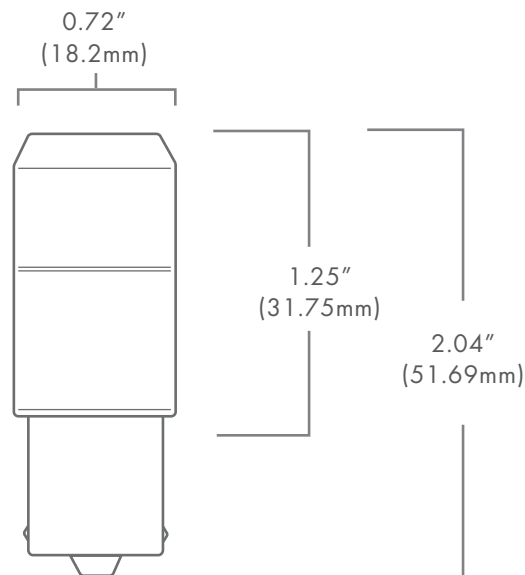
# BEACON SCB

## DESCRIPTION:

The Brilliance LED Beacon Single Contact Bayonet (SCB) is a subcompact LED that utilizes the Epistar chipset and also features Brilliance LED's multi-directional beam pattern. This SCB is energy efficient and water resistant. Designed specifically for landscape retrofit application, ideal for pathway lighting fixtures and step lights.

## FEATURES:

- New ceramic technology
- Dimmable with most magnetic transformers



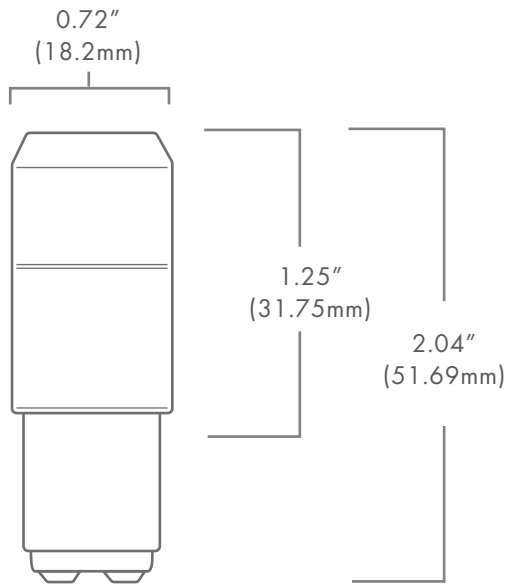
PART NUMBER: BRI BEACON SCB XXXX

2700  
3000  
5700

KELVIN TEMPERATURE

Wattage	2
Lumens	200
Beam Spread	multi-directional
Kelvin Temperature	2700, 3000, 5700
Input Voltage	8-25V AC
Replaces	20W Halogen
CRI	84
IP	65
Chipset	Epistar
Lamp Life (hours)	35,000
Warranty (years)	5





PART NUMBER: BRI BEACON DCB XXXX

2700	KELVIN TEMPERATURE
3000	
5700	



## DESCRIPTION:

The Brilliance LED Beacon Double Contact Bayonet (DCB) is a subcompact LED that utilizes the Epistar chipset and also features Brilliance LED's multi-directional beam pattern. This DCB is energy efficient and water resistant. Designed specifically for landscape retrofit application, ideal for pathway lighting fixtures, wall washing, and hanging fixtures.

## FEATURES:

- New ceramic technology
- Dimmable with most magnetic transformers

Wattage	2
Lumens	200
Beam Spread	Omni-directional
Kelvin Temperature	2700, 3000, 5700
Operating Range	8-25VAC
Replaces	20W Halogen
CRI	84
IP	65
Chipset	Epistar
Lamp Life (hours)	50,000
Warranty (years)	5

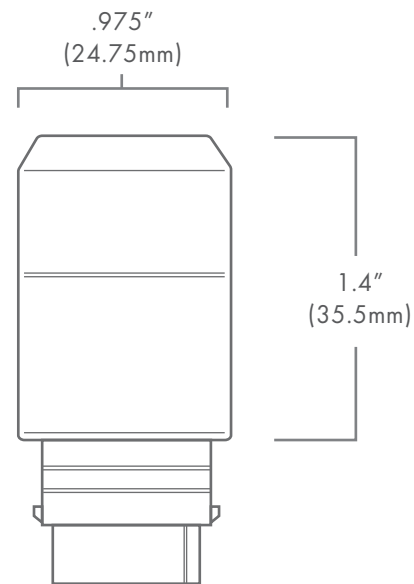
# BEACON S8

## DESCRIPTION:

The Brilliance LED Beacon S8 is a subcompact LED that utilizes the Epistar chipset and also features Brilliance LED's multi-directional beam pattern. This S8 is energy efficient and water resistant. Designed specifically for landscape retrofit application, ideal for pathway lighting fixtures and step lights.

## FEATURES:

- New ceramic technology
- Dimmable with most magnetic transformers



PART NUMBER: BRI BEACON S8 XXXX

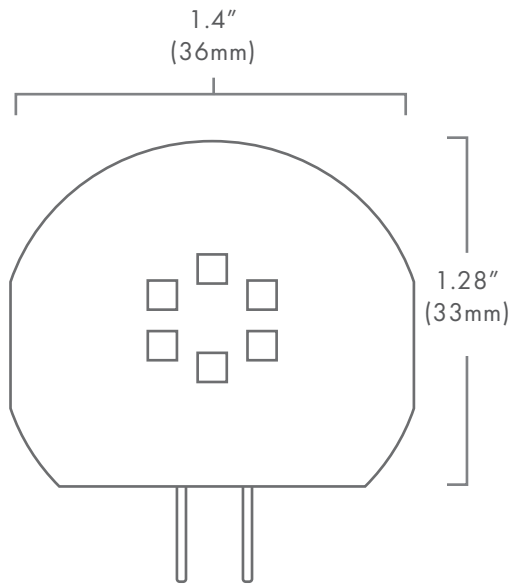
2700  
3000  
5700

KELVIN TEMPERATURE

Wattage	2
Lumens	200
Beam Spread	multi-directional
Kelvin Temperature	2700, 3000, 5700
Operating Range	8-25V AC
Replaces	20W Halogen
CRI	84
IP	65
Chipset	Epistar
Lamp Life (hours)	35,000
Warranty (years)	5



# G-4 ROUND WAFER



PART NUMBER: BIPIN G4 RND WAFER



## DESCRIPTION:

The G4 Bipin Round Wafer is designed specifically for low voltage pucks. This compact LED is energy efficient and produces a broad 180° light pattern.

## FEATURES:

- Dimmable with most magnetic transformers

Wattage	2
Lumens	120
Beam Spread	180°
Kelvin Temperature	2700
Operating Range	8-18V AC/DC
Replaces	25W Halogen
CRI	85
IP	60
Chipset	Samsung
Lamp Life (hours)	35,000
Warranty (years)	5

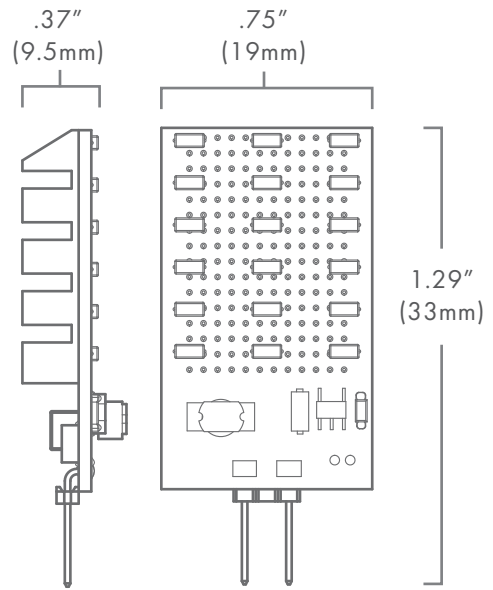
# G-4 RECTANGLE WAFER

## DESCRIPTION:

The G4 Bipin Rectangle Wafer is designed specifically for low voltage landscape lighting fixtures. This compact LED is energy efficient and produces a broad 180° light pattern.

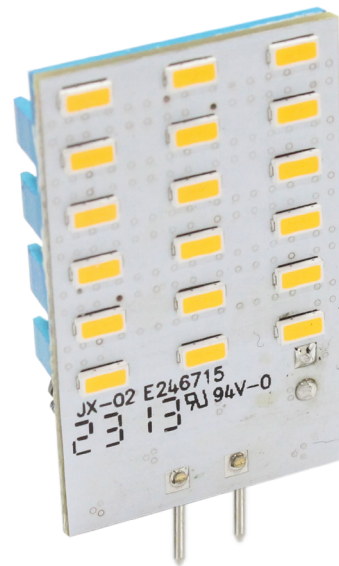
## FEATURES:

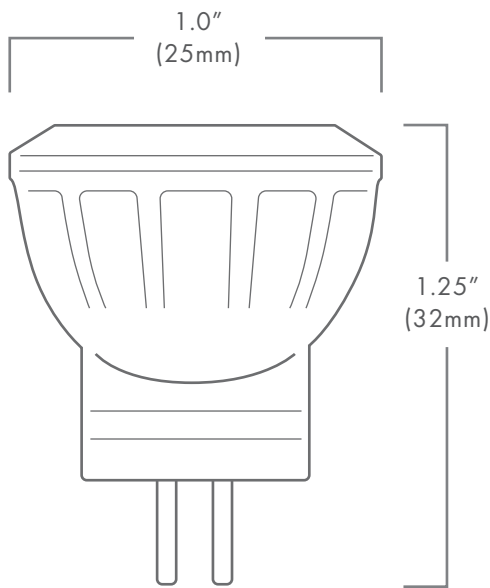
- Dimmable with most magnetic transformers



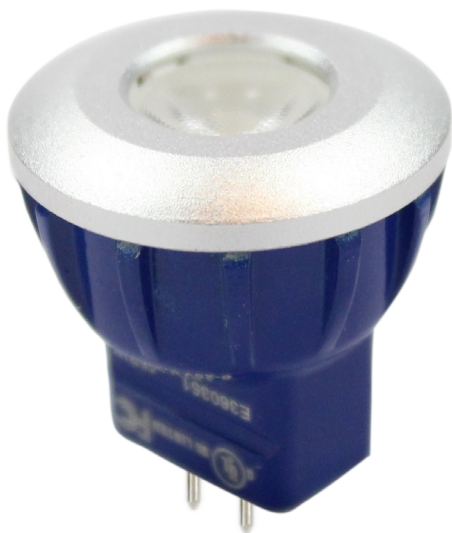
PART NUMBER: BIPIN G4 RECTANGLE WAFER

Wattage	2
Lumens	120
Beam Spread	180°
Kelvin Temperature	2700
Operating Range	8-18V AC/DC
Replaces	25W Halogen
CRI	85
IP	60
Chipset	Samsung
Lamp Life (hours)	35,000
Warranty (years)	5





PART NUMBER: MR8 XXXX XX			
2200	RED	KELVIN/ COLOR	BEAMSPREAD
2700	GREEN		
3000 <sup>or</sup>	BLUE		
5700	AMBER		
		15	
		30	
		60	
		120	



## DESCRIPTION:

The Brilliance LED MR-8 LED lamp has been redesigned to better fit into standard, low voltage, MR-8 fixtures. These LED's are thermally engineered to operate in enclosed fixtures and provide added security by automatically cooling down (and reducing lumens output) only when exposed to extreme heat (air temperatures above 125°F). In addition, there is no color shift when lumens output is reduced, and the overall lamp life is improved.

## FEATURES:

- Dimmable with most magnetic transformers
- Enhanced ESD (Electro-Static Discharge) Protection (IEC-61000-4-2)
- Heat Overload Protection Technology
- Fully potted PC board
- UL & FCC compliant

Wattage	1.5
Lumens	90
Beam Spread	15°, 30°, 60°, 120°
Kelvin Temperature	2200, 2700, 3000, 5700
Color	red, green, blue, amber
Operating Range	8-25VAC
Replaces	10W Halogen
CRI	85
IP	61
Chipset	CREE
Lamp Life (hours)	50,000
Warranty (years)	5

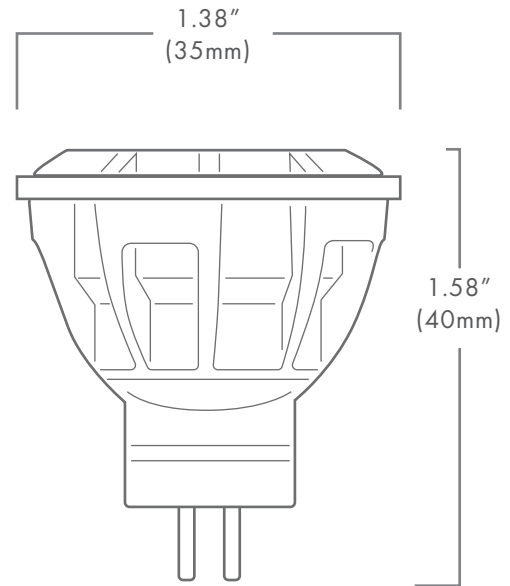
# MR-11

## DESCRIPTION:

The Brilliance LED MR-11 LED lamp has been redesigned to better fit into standard, low voltage, MR-11 fixtures. These LED's are thermally engineered to operate in enclosed fixtures and provide added security by automatically cooling down (and reducing lumens output) only when exposed to extreme heat (air temperatures above 125°F). In addition, there is no color shift when lumens output is reduced, and the overall lamp life is improved.

## FEATURES:

- Max current: 2w 0.4a
- Dimmable with most magnetic transformers
- Enhanced ESD (Electro-Static Discharge) Protection (IEC-61000-4-2)
- Heat Overload Protection Technology
- Fully potted PC board
- UL & FCC compliant

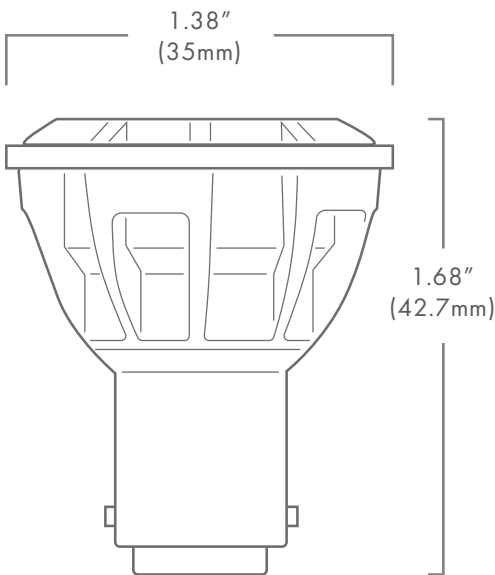


PART NUMBER: MR11 2 XXXX XX

2200	RED	KELVIN/ COLOR	] BEAMSPREAD
2700	GREEN		
3000 <sup>or</sup>	BLUE	15	] BEAMSPREAD
5700	AMBER	30	
		60	
		120	

Wattage	2
Lumens	120
Beam Spread	15°, 30°, 60°, 120°
Kelvin Temperature	2200, 2700, 3000, 5700
Color	red, green, blue, amber
Operating Range	8-25VAC
Replaces	20W Halogen
CRI	85
IP	61
Chipset	CREE
Lamp Life (hours)	50,000
Warranty (years)	5





PART NUMBER: AR11 2 XXXX XX

2200	RED	KELVIN/ COLOR	15 30 60	BEAMSPREAD
2700	GREEN			
3000 <sup>or</sup>	BLUE			
5700	AMBER			



## DESCRIPTION:

The Brilliance LED AR-11 Double Contact Bayonet has been redesigned to better fit into standard, low voltage, AR-11 fixtures. These LED's are thermally engineered to operate in enclosed fixtures and provide added security by automatically cooling down (and reducing lumens output) only when exposed to extreme heat (air temperatures above 125°F). In addition, there is no color shift when lumens output is reduced, and the overall lamp life is improved.

## FEATURES:

- Dimmable with most magnetic transformers
- Enhanced ESD (Electro-Static Discharge) Protection (IEC-61000-4-2)
- Heat Overload Protection Technology
- Fully potted PC board
- UL & FCC compliant

Wattage	2
Lumens	120
Beam Spread	15°, 30°, 60°
Kelvin Temperature	2200, 2700, 3000, 5700
Color	red, green, blue, amber
Operating Range	8-25VAC
Replaces	20W Halogen
CRI	85
IP	61
Chipset	CREE
Lamp Life (hours)	50,000
Warranty (years)	5

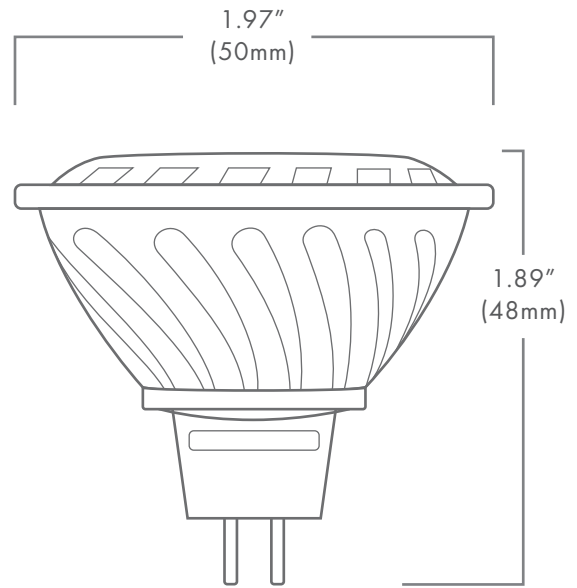
# MR-16 ECOSTAR

## DESCRIPTION:

The Brilliance LED MR-16 ECOSTAR, 4 watt, LED lamp is designed to fit into standard, low voltage fixtures. Best suited for budget-conscious landscape lighting projects.

## FEATURES:

- Suitable for damp locations
- Suitable for totally enclosed luminaires
- Input electrical current: 330mA AC



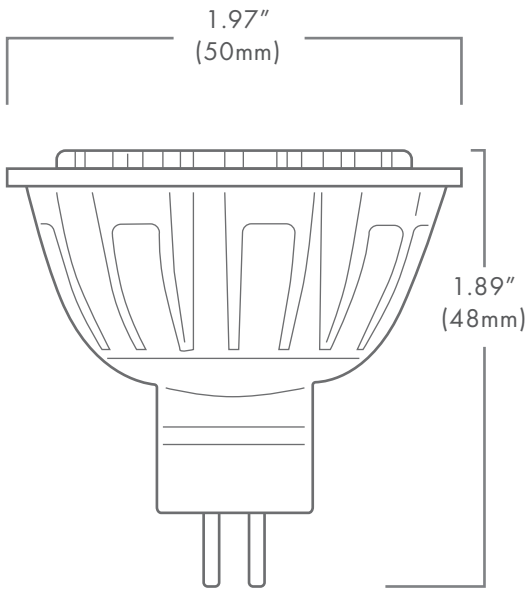
PART NUMBER: MR16 4 ECO XXXX XX

2700	KELVIN TEMPERATURE	15	BEAMSPREAD
3000			
5700			
		60	



Wattage	4
Lumens	265-300
Beam Spread	15°, 30°, 60°
Kelvin Temperature	2700, 3000, 5700
Operating Range	8-25VAC
Replaces	20W Halogen
CRI	77
IP	61
Chipset	Epistar
Lamp Life (hours)	30,000
Warranty (years)	3

# MR-16 PREMIUM



PART NUMBER: MR16 X XXXX XX

2200	4 5 7	WATTAGE	
2700			
3000			
5700			
RED	15 30 60 120	KELVIN/COLOR	BEAMSPREAD
GREEN			
BLUE			
AMBER			



## DESCRIPTION:

The Brilliance LED MR-16 LED lamp has been redesigned to better fit into standard, low voltage, MR-16 fixtures. These LED's are thermally engineered to operate in enclosed fixtures and provides added security by automatically cooling down (and reducing lumens output) only when exposed to extreme heat (air temperatures above 125°F). In addition, there is no color shift when lumens output is reduced, and the overall lamp life is improved.

## FEATURES:

- Dimmable with most magnetic transformers
- Enhanced ESD (Electro-Static Discharge) Protection (IEC-61000-4-2)
- Heat Overload Protection Technology
- Fully potted PC board
- UL & FCC compliant

## LUMEN OUTPUT

	2200K	2700K	3000K	5700K
4W	260	265	271	320
5W	320	324	415	420
7W	N/A	470	485	560

Beam Spread	15°, 30°, 60°, 120°
Color	red, green, blue, amber (4&5w only)
Operating Range	8-25 VAC
Replaces	20/35/50W Halogen
CRI	85
IP	61
Chipset	CREE
Lamp Life (hours)	50,000
Warranty (years)	5

# MR-16 EDGE

## DESCRIPTION:

The MR-16 EDGE Series is designed for use in both enclosed fixtures and open fixtures where precision lighting and very high color rendering are required.

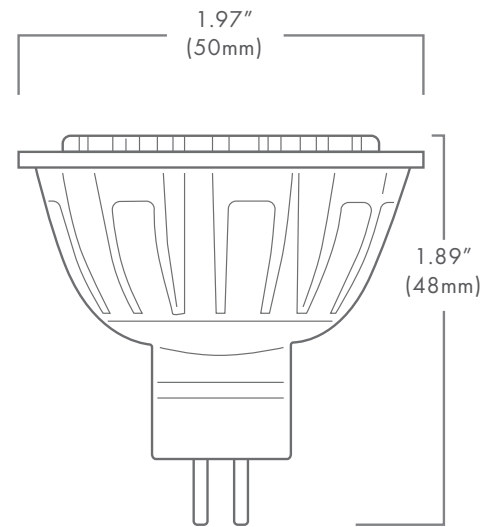
## FEATURES:

- Ideal for indoor and outdoor applications that require superior color rendering.
- Perfect for recessed downlights, track lights, wall washing, accent and in-ground lighting.
- Works with electronic and magnetic drivers.
- Dimmable with most magnetic transformers.
- Dimmable with electronic transformer part #B+L EX95101 and part #B+L FX95100, and dimmer combination Lutron DVELV-300P.
- 80% more efficient than halogen equivalent
- Equivalent to 50W halogen.
- Fits all standard fixtures designed for MR16.
- Runs cooler than other brands.
- Suitable for damp locations.
- Engineered for use in totally enclosed fixtures
- UL & FCC compliant

## USES:

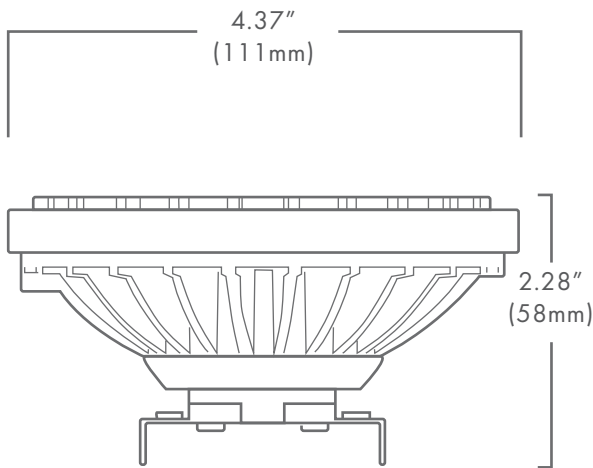
Great for retail, restaurants, galleries, gardens, residential and commercial uses.

Wattage	7
Lumens	475, 496
Beam Spread	15°, 30°, 60°
Kelvin Temperature	2700, 3000
Operating Range	8-25 VAC
Chipset	CREE XPL-HI
CRI	93
IP	61
Lamp Life (hours)	50,000
Warranty (years)	5



PART NUMBER: MR16 EDGE 7 XXXX XX





PART NUMBER: PAR36 X XXXX XX

2200	6	WATTAGE
2700	9	
3000	12	
5700		KELVIN/COLOR
RED		
GREEN	30	BEAMSPREAD
BLUE	60	
AMBER	90	
	120	



## DESCRIPTION:

The Brilliance LED PAR-36 LED lamp has been redesigned to better fit into standard, low voltage, PAR-36 fixtures. These LED's are thermally engineered to operate in enclosed fixtures and provides added security by automatically cooling down (and reducing lumens output) only when exposed to extreme heat (air temperatures above 125°F). In addition, there is no color shift when lumens output is reduced, and the overall lamp life is improved.

## FEATURES:

- Dimmable with most magnetic transformers
- Enhanced ESD (Electro-Static Discharge) Protection (IEC-61000-4-2)
- Heat Overload Protection Technology
- Fully potted PC board
- UL & FCC compliant

## LUMEN OUTPUT

	2200K	2700K	3000K	5700K
6W	380	394	395	460
9W	500	595	622	720
12W	592	685	730	920

Beam Spread	15°, 30°, 60°, 120°
Color	red, green, blue, amber (6&9w only)
Kelvin Temperature	2200, 2700, 3000, 5700
Operating Range	8-25VAC
Replaces	20/35/50W Halogen
CRI	85
IP	68
Chipset	CREE
Lamp Life (hours)	50,000
Warranty (years)	5

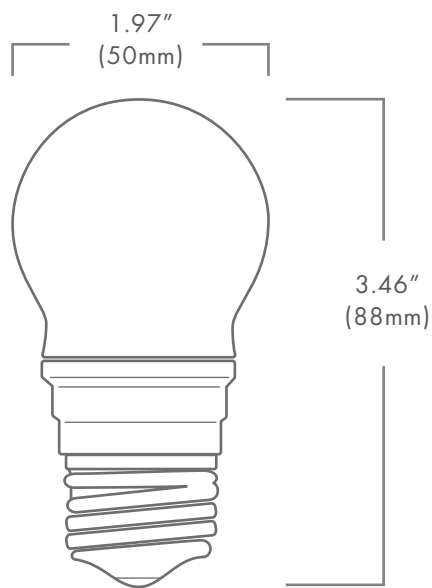
# S-14 12 VOLT

## DESCRIPTION:

This Brilliance LED S-14 lamp is specifically designed for a 12VAC power system. The S-14 replaces traditional incandescent or halogen lamps.

## FEATURES:

- Designed as a direct retrofit for most S-lamps
- Color rendering of 80
- Great compatibility w/ TRIAC dimmers
- Shock & vibration resistant
- High power factor
- UV & NIR radiation-free
- Mercury-free
- Standard deviation color matching



PART NUMBER: BRI S14 XXXX 012

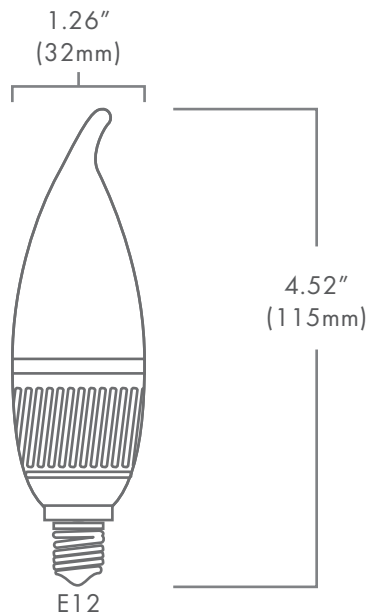
2700  
3000  
5000

KELVIN TEMPERATURE

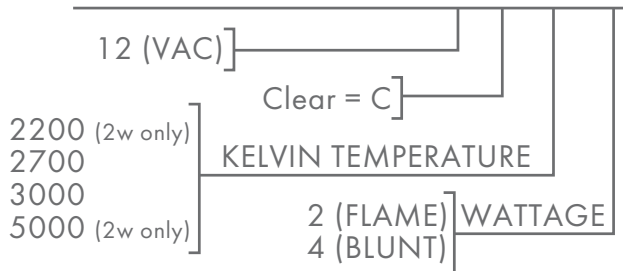
Wattage	4
Lumens	215-220
Beam Spread	300°
Kelvin Temperature	2700, 3000, 5000
Operating Range	8-14VAC
Replaces	20W Halogen
CRI	85
IP	65
Chipset	CREE
Lamp Life (hours)	50,000
Warranty (years)	5



# CANDELABRA 12 VOLT



PART NUMBER: BRI CAN 12 C XXXX X



## DESCRIPTION:

This Brilliance LED Candela is decorative, dimmable, clear and designed for a 12VAC power system, which can be installed into any standard E12 or E14 socket. It is energy efficient, saving up to 85% on energy costs, vibration resistant, and it features a multi-directional beam pattern making it ideal for many general lighting applications.

## FEATURES:

- UL listed & FCC compliant
- Dimmable with most magnetic transformers
- Environmentally friendly
- Maintenance free
- Candela adapter available

Wattage	2 or 4
Lumens	100, 200
Beam Spread	360°
Kelvin Temperature	2200, 2700, 3000, 5000
Replaces	25W & 40W Halogen
CRI	83
IP	60
Lamp Life (hours)	50,000
Warranty (years)	5

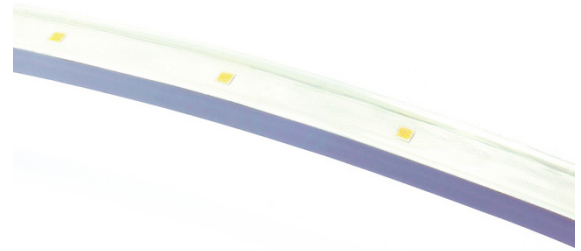
# STRIP LIGHT

## DESCRIPTION:

The Brilliance LED AC Flex Strip Light is rated for outdoor use and can be directly connected to an existing 8-16 VAC landscape lighting system. Great accent lighting for stairs, railings and overhangs. The LEDs on this Strip Light are encased in non-yellowing material that installs easily.

## FEATURES:

- Dimmable with most magnetic transformers
- Max length for power feed is 39' 4"
- Available in 82.25 ft reels

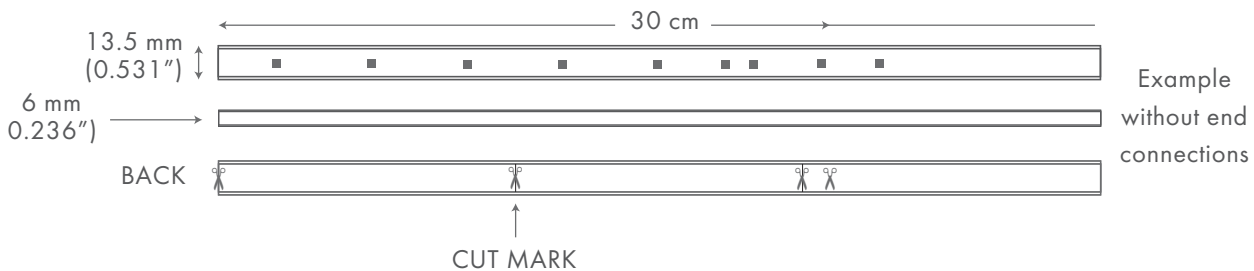


PART NUMBER : BRI SL3 XXXX 65

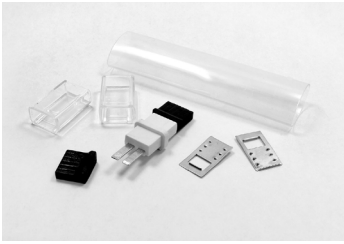
2700	KELVIN TEMP/COLOR
5000	
red	
green blue	

Wattage	1.8 per meter
Lumens	45 per ft
Kelvin Temperature	2700, 5000
Color	red, green, blue
Operating Range	8-16 VAC
CRI	80
IP	65
Lamp Life (hours)	35,000
Warranty (years)	3

NOT for installation within 10 ft of swimming pool or other water source

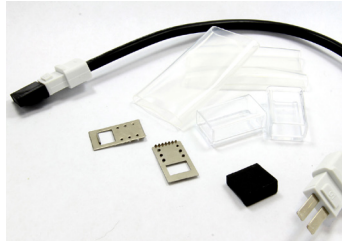


# STRIP LIGHT ACCESSORIES



## Double-Sided Connector Kit

Part # - 0 35127 47542 4  
 1 - Double-Sided Connector  
 2 - Clear Plastic Retainers  
 2 - Metal Anti-Slip Plates  
 1 - Heat Shrink Tube



## Jumper Connector Kit

Part # - 0 35127 47606 3  
 1 - Jumper Connector  
 2 - Clear Plastic Retainers  
 2 - Metal Anti-slip Plates  
 2 - Heat-shrink Tubes



## 90° Jumper Connector Kit

Part # - 0 35127 47698 8  
 1 - Jumper Connector  
 2 - Clear Plastic Retainers  
 2 - Metal Anti-slip Plates  
 2 - Heat-shrink Tubes



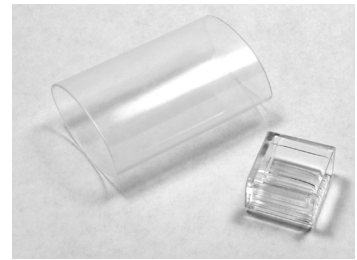
## Power Feed Kit

Part # - 0 35127 47544 8  
 1 - Power Feed  
 1 - Clear Plastic Retainer  
 1 - Metal Anti-slip Plate  
 1 - Heat-shrink Tube



## "T" Power Feed Connector Kit

Part # - 0 35127 47608 7  
 1 - "T" Power Feed Connector  
 2 - Clear Plastic Retainers  
 2 - Metal Anti-slip Plates  
 2 - Heat-shrink Tubes



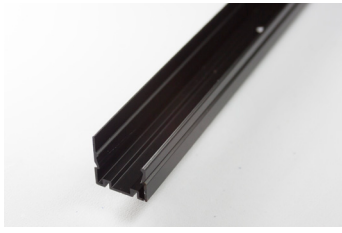
## End Cap Kit

Part # - 0 35127 47607 0  
 1 - End Cap  
 1 - Light Shield  
 1 - Heat-shrink Tube



## Strip Light Channel\* (Gen 2) w/ Groove

Part # - 0 35127 47751 0  
 1m (3.2') Channel sections  
 5 - Screws



## Strip Light Channel\* (Gen 2) w/ Groove & Glare Shield

Part # - 0 35127 47752 7  
 1m (3.2') Channel sections  
 5 - Screws



## Clip & Screw Kit

Part # - 0 35127 47543 1  
 50 - Plastic Clips  
 100 - Screws



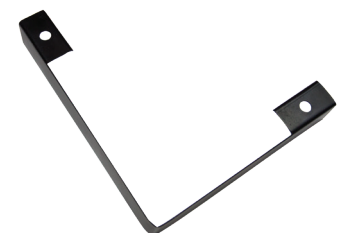
## Diffuser

Part # - 0 35127 47753 4  
 Only works with Gen 2 Channel models



## Attachment Clip

Part # - 0 35127 47754 1  
 Only works with Gen 2 Channel models



## Stealth Connector Shields\*

Part # - 0 35127 47767 1  
 Part # - 0 35127 47771 8 (w/ Facia)  
 Only works with Gen 2 Channel models

**\*Note:** While the aluminum extrusion material will not be adversely affected by conventional Ultraviolet (UV) & Infrared (IR) exposure, the black dye used in the anodizing process is an organic material and will experience fading over time depending on the level of exposure to Ultraviolet (UV) & Infrared (IR) from sunlight. The amount of fading will be determined by the above stated factors. For this reason, Brilliance LED makes no warranty or guarantee for discoloration when this product is used in an outdoor application or is exposed to direct sunlight.

# LIGHT BAR

## DESCRIPTION:

Made in the USA, the Light Bar is easy to install and comes in assorted sizes. Rugged construction with anodized aluminum rail.

## FEATURES:

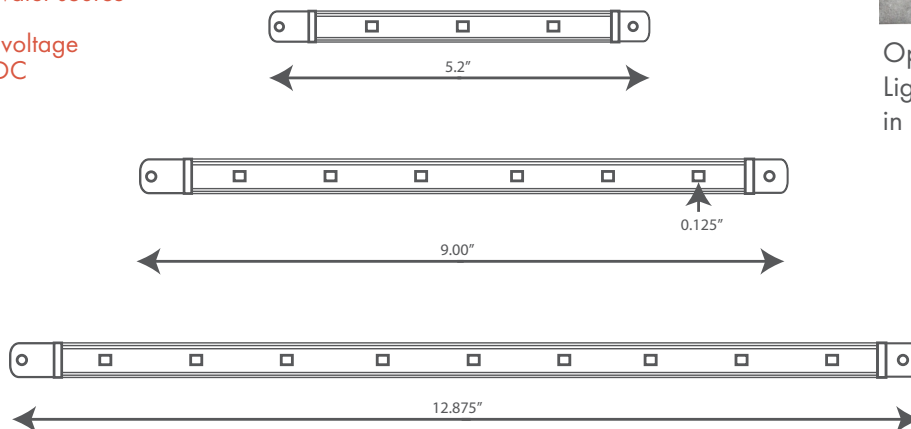
- 6' lead of 18 gauge direct burial wire
- Custom lengths up to 90"
- Custom colors available
- Dimmable w/ most magnetic transformers
- Mounting Brackets available
- Shield available in copper and stainless steel for 3 & 6 only

Kelvin Temperature	2700
Operating Range	8-18VAC
Input Voltage	12VAC
Chipset	CREE
CRI	85
IP	68
Warranty (years)	5

Length	LEDs	Lumens	Watts
5 1/4"	3	135	2.6
9 1/8"	6	270	5.2
13"	9	405	7.8

NOT for installation within 10 ft of swimming pool or other water source

ATTENTION: Operating voltage range is 8-18 Volts AC/DC



Optional:  
Light Bar Shield  
in 3 and 6 LEDs



PART NUMBER: BRI XXXX LED XX

Light Bar = LB	# of LED's
Mounting Bracket = MB	3
LB & MB Kit = LBMB	6
	9

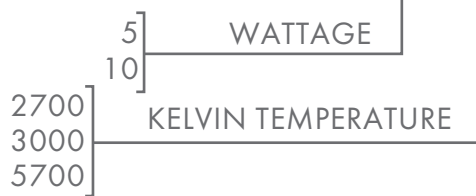
Optional - Light Bar Shield (3 & 6 LED only)

PART NUMBER: LBS X XXXXXX

# of LED's	Material
3	COPPER
6	STAINLESS STEEL



PART NUMBER: AQUABEAM XX XXXX



Wattage	5 & 10
Lumens	350 & 700
Beam Spread	45°
Kelvin Temperature	2700, 3000, 5700
Operating Range	8-18 VAC/DC
IP	68
CRI	83
Lamp Life (hours)	50,000
Warranty (years)	5

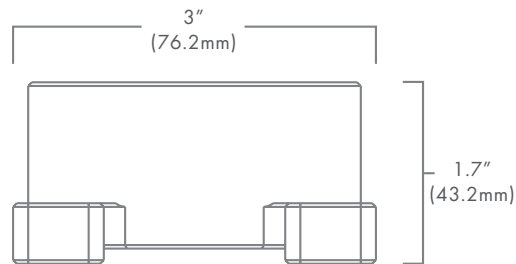
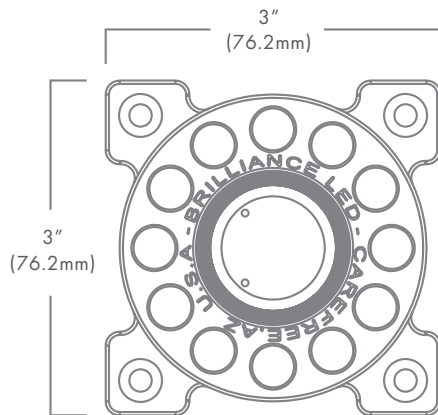
## DESCRIPTION:

The Brilliance LED AquaBeam was designed with high lumen and superior color rendition for the extremely wet or underwater applications. This integrated LED specialty fixture is made in the USA; it is fabricated of precision machined aluminum and is fully potted. The coating process allows for superior abrasion and corrosion resistance even in the harshest of environments. It has been tested in the harshest conditions for 100+ days.

## FEATURES:

- Fully submersible application
- Can be installed indoor and outdoor
- Dimmable with most magnetic transformers
- The latest in CREE COB technology
- Fully potted electronics
- Abrasion and corrosion resistant
- Environmentally friendly & energy efficient

**\*Note:** Corrosive chemicals in the water of ponds and fountains as well as natural hard water and salt water could affect the appearance of the coating, but will not impact functionality of the product. For this reason, Brilliance LED makes no warranty or guarantee for change in appearance when this product is used in water, as it is designed to be used.



# BRILLIANCE DIMMER

## DESCRIPTION:

The Brilliance Dimmer Switch provides for 12VAC dimming up to 120 watts. This unit can be mounted next to the 12VAC transformer or anywhere out in the field.

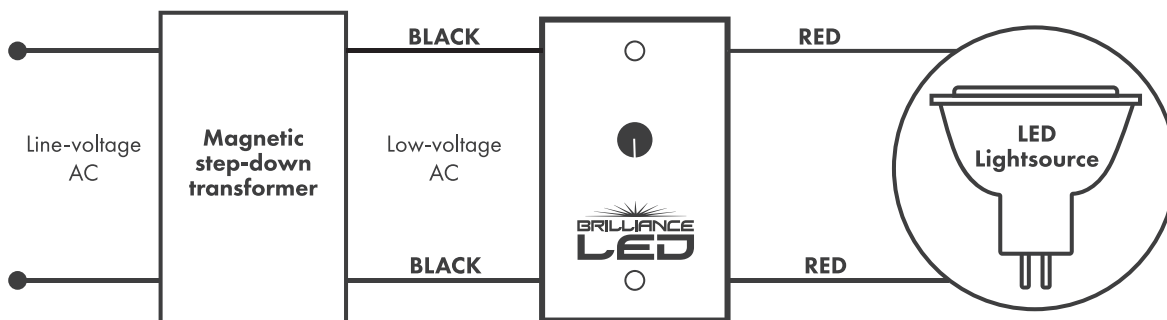
## FEATURES:

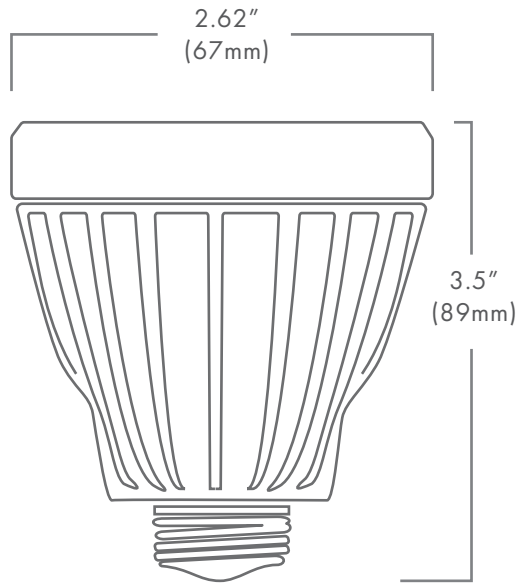
- Installs in single-gang deep junction box on low-voltage side of magnetic step-down transformer
- Current capacity: 10 Amps
- Compatible with all Brilliance LED lamps
- Must be installed in a deep junction box
- Always use supplied gasket
- No minimum load
- Dimmer range may vary depending upon load that is applied



PART NUMBER:  
12 VAC Brilliance Dimmer Switch

Wattage	120
Operating Range	12VAC
IP	63
Warranty (years)	3





PART NUMBER: PAR 20 IOS XXXX XX XX

2700	KELVIN TEMPERATURE	25	BEAMSPREAD	HOUSING
3000				
5700				
		40		
				BL = Black WH = White



## DESCRIPTION:

The PAR (Indoor/Outdoor) Series is designed specifically as an energy saving alternative to traditional halogen PAR lamps, making them ideal for general lighting. Designed for 120VAC, 60Hz universal power, they can be installed into any standard E26 medium socket. The lamps are corrosion resistant. Each lamp is made with CREE XP-E high power chipset.

## FEATURES:

- Dimmable
- Shock and vibration resistant
- UV, NIR radiation & mercury free
- Black & white housing options
- Suitable for totally enclosed fixtures
- UL & FCC compliant

Wattage	7
Lumens	320 <sub>(2700k)</sub> , 340 <sub>(3000K)</sub> , 460 <sub>(5700K)</sub>
Beam Spread	25°, 40°
Kelvin Temperature	2700, 3000, 5700
Input Voltage	AC 110-120V/60Hz
Replaces	50W Halogen
CRI	83
IP	64
Chipset	CREE XP-E
Lamp Life (hours)	35,000
Warranty (years)	3

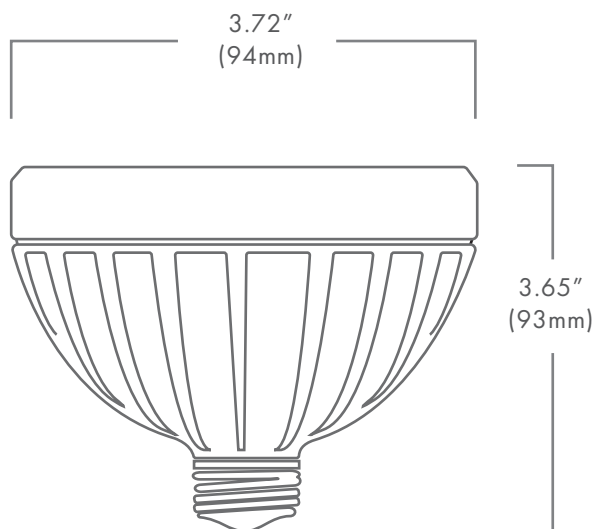
# PAR-30

## DESCRIPTION:

The PAR (Indoor/Outdoor) Series is designed specifically as an energy saving alternative to traditional halogen PAR lamps, making them ideal for general lighting. Designed for 120VAC, 60Hz universal power, they can be installed into any standard E26 medium socket. The lamps are corrosion resistant. Each lamp is made with CREE XP-E high power chipset.

## FEATURES:

- Dimmable
- Shock and vibration resistant
- UV, NIR radiation & mercury free
- Black or white housing
- Suitable for totally enclosed fixtures
- UL & FCC compliant

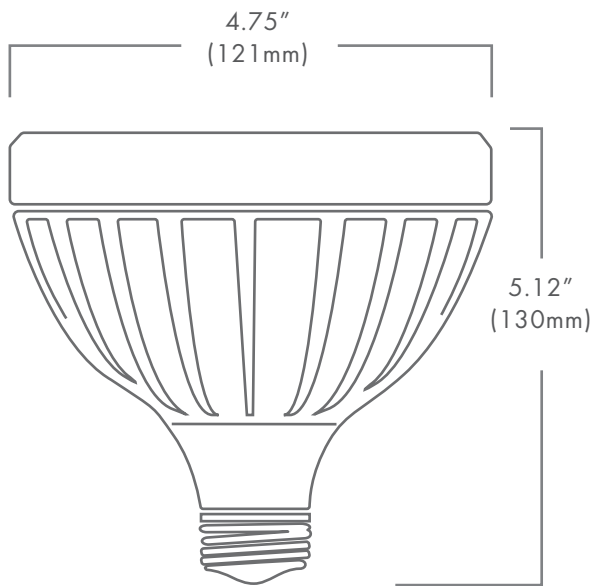


PART NUMBER: PAR 30 IOS XXXX XX XX

2700	KELVIN TEMPERATURE	25	BEAMSPREAD	HOUSING
3000				
5700				
		40		BL = Black WH = White

Wattage	12
Lumens	620/730/800
Beam Spread	25°, 40°
Kelvin Temperature	2700, 3000, 5700
Input Voltage	AC110-120V/60Hz
Replaces	75W Halogen
CRI	83
IP	64
Chipset	CREE XP-E
Lamp Life (hours)	35,000
Warranty (years)	5





PART NUMBER: PAR 38 IOS XXXX XX XX

2700	KELVIN TEMPERATURE	BEAMSPREAD	HOUSING
3000			
5700			
25			
40			
	BL = Black		
	WH = White		



## DESCRIPTION:

The PAR (Indoor/Outdoor) Series is designed specifically as an energy saving alternative to traditional halogen PAR lamps, making them ideal for general lighting. Designed for 120VAC, 60Hz universal power, they can be installed into any standard E26 medium socket. The lamps are corrosion resistant. Each lamp is made with CREE XP-E high power chipset.

## FEATURES:

- Dimmable
- Shock and vibration resistant
- UV, NIR radiation & mercury free
- Black or white housing
- Suitable for totally enclosed fixtures
- UL & FCC compliant

Wattage	17
Lumens	800, 850, 1150
Beam Spread	25°, 40°
Kelvin Temperature	2700, 3000, 5700
Input Voltage	AC 110-120V/60hz
Replaces	100W Halogen
CRI	85
IP	64
Chipset	CREE XP-E
Lamp Life (hours)	35,000
Warranty (years)	3

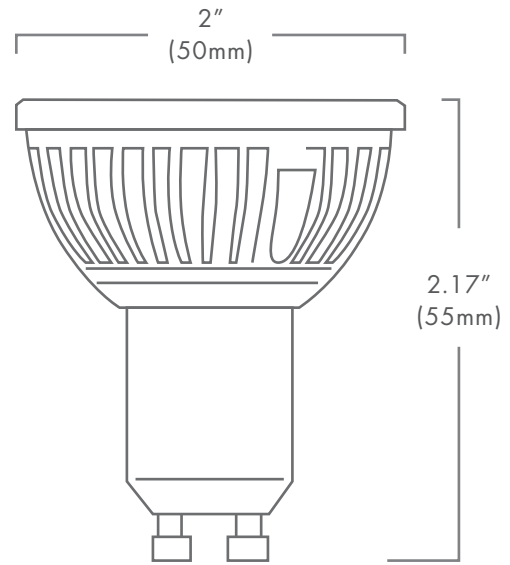
# GU-10 EDGE

## DESCRIPTION:

The Brilliance LED GU-10 EDGE is designed for use in both indoor and outdoor 110-130VAC GU-10 base fixtures where precision lighting and very high color rendering are preferred or required.

## FEATURES:

- UL listed
- Ideal for indoor and outdoor applications that require superior color rendering
- Perfect for recessed downlighting, track lighting, wall washing, accent and in-ground lighting
- Dimmable with most C+L dimmers
- 80% more efficient than halogen equivalent
- Equivalent to 50 watt halogen
- Fits all standard fixtures designed for GU-10
- Runs cooler than other brands
- Suitable for damp locations
- Engineered for use in totally enclosed fixtures
- UL & FCC compliant



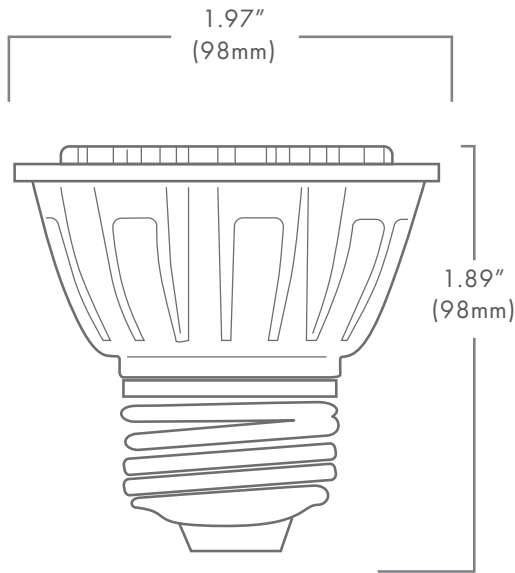
PART NUMBER: GU10 EDGE 2700 XX

15	BEAMSPREAD
30	
60	
120	

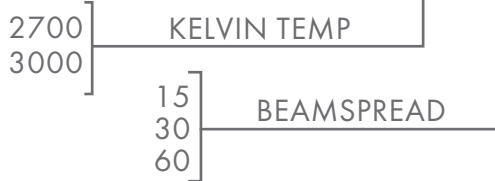


Wattage	5
Lumens	295
Beam Spread	15°, 30°, 60°, 120°
Kelvin Temperature	2700
Operating Range	110-130 VAC
Replaces	50W Halogen
CRI	93
IP	61
Chipset	CREE XPL-HI
Lamp Life (hours)	50,000
Warranty (years)	5

# PAR-16 EDGE



PART NUMBER: PAR16 EDGE 5 XXXX XX



## DESCRIPTION:

The Brilliance LED PAR-16 EDGE is designed for use in both outdoor enclosed and indoor open fixtures where precision lighting and high color rendering is preferred or required.

## FEATURES:

- UL Listed
- Perfect for recessed downlighting, track lighting, wall washing, accent and in-ground lighting
- Ideal for indoor and outdoor applications that require superior color rendering
- 80% more efficient than halogen equivalent
- Equivalent to 35W Halogen
- Fits all standard fixtures designed for 120V medium base MR-16
- Runs cooler than other brands
- Suitable for damp locations
- Engineered for use in totally enclosed fixtures
- UL & FCC compliant

Wattage	5
Lumens	315
Beam Spread	15°, 30°, 60°
Kelvin Temperature	2700, 3000
Input Voltage	120V
CRI	93
Chipset	CREE
Lamp Life (hours)	50,000
Warranty (years)	5

# G-9 EDGE

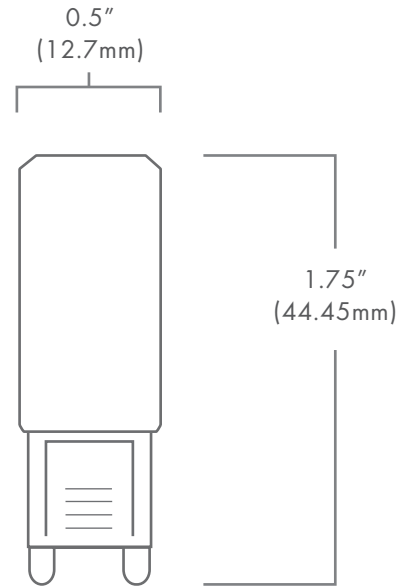
## DESCRIPTION:

The Brilliance LED G9 EDGE is an ideal replacement for halogen G9 lamps and provides excellent performance with its retrofit design. Suitable for most existing fixtures, this lamp offers extremely long life and low power consumption, and it is maintenance free.

## FEATURES:

- Dimmable
- G-9 Base
- UV Free
- Thermal ceramic body
- Excellent heat dissipation
- CAUTION: Risk of electric shock, use in dry locations only, not for use in totally enclosed fixtures.

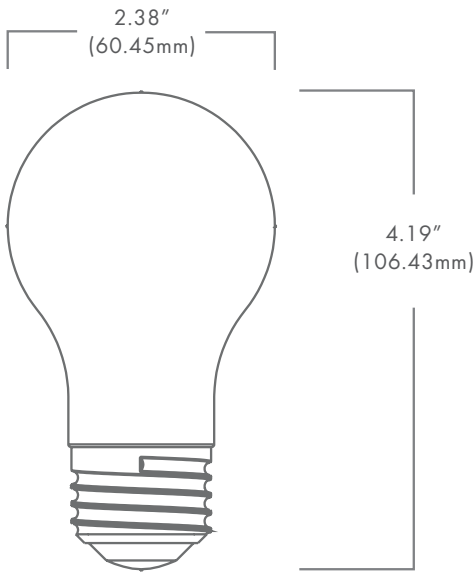
Wattage	1.8
Lumens	160
Beam Spread	360°H 360°V
Kelvin Temperature	2700
Input Voltage	120VAC
Replaces	25W Halogen
CRI	90
IP	60
Lamp Life (hours)	25,000
Warranty (years)	4



PART NUMBER: BRI G9 EDGE 120 2700



# A-19 EDGE FILAMENT



PART NUMBER: A19 FIL EDGE XXXX

2200  
2700



## DESCRIPTION:

The Brilliance LED Edge Filament lamps are a decorative light source in 110-130VAC. These 2700K lamps with 95 CRI give the effect of an original Edison lamp. This lamp is great for any place a warm light source is needed.

## FEATURES:

- Replaces 60W Incandescent
- UL Listed in USA and Canada
- Clear, omni-directional light source
- Elegant, exposed filament design
- Dimmable
- UL & FCC compliant

Wattage	6.5
Lumens	500
Kelvin Temperature	2200, 2700
Operating Range	110-130 VAC
CR	95
IPI	64
Lamp Life (hours)	30,000
Warranty (years)	3

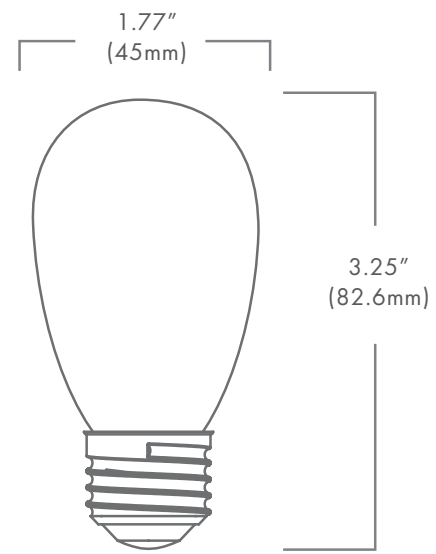
# S-14 EDGE FILAMENT

## DESCRIPTION:

The S14 Edge Filament is designed for use in both outdoor and indoor open fixtures where precision lighting and high color rendering is required. This lamp is ideal for inverted bistro style lighting.

## FEATURES:

- UL listed
- Clear, omni-directional light source
- Elegant, exposed filament design
- Dimmable
- UL & FCC compliant

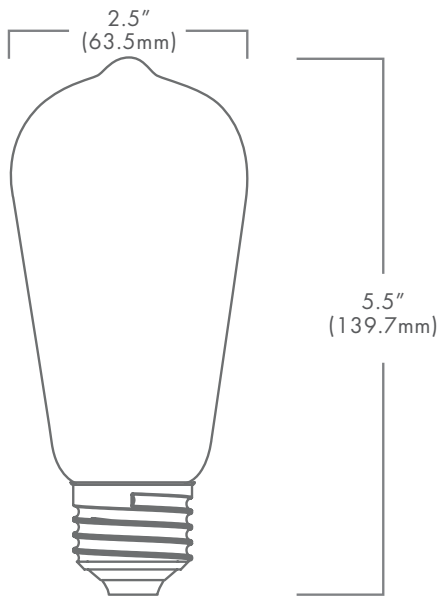


PART NUMBER: S14 FIL EDGE 2700



Wattage	3.5
Lumens	245
Kelvin Temperature	2200, 2700
Operating Range	12VAC, 110-130 VAC
CRI	95
IP	64
Lamp Life (hours)	30,000
Warranty (years)	3

# S-21 EDGE FILAMENT



PART NUMBER: S21 FIL EDGE 2700



## DESCRIPTION:

The S-21 Edge Filament lamps are a decorative light source in 110-130 VAC. These 2700K lamps with 95 CRI give the effect of an original Edison lamp. This lamp is great for any place a warm light source is needed.

## FEATURES:

- Replaces 40 Watt Incandescent
- UL listed in USA and Canada
- Clear, omni-directional light source
- Elegant, exposed filament design
- Dimmable
- UL & FCC compliant

Wattage	5
Lumens	380
Kelvin Temperature	2700
Operating Range	110-130 VAC
CRI	95
IP	64
Lamp Life (hours)	30,000
Warranty (years)	3

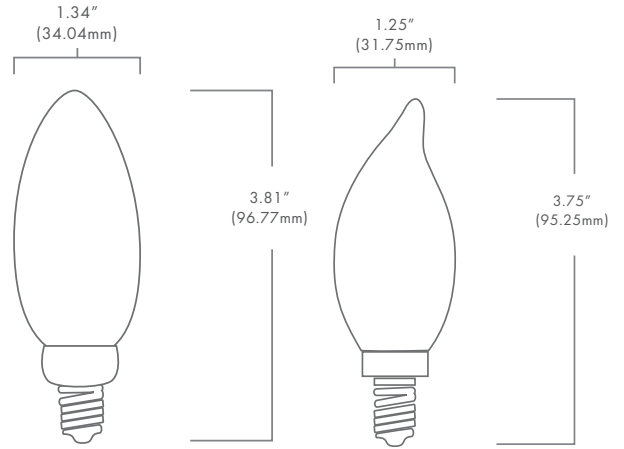
# CANDELABRA EDGE FILAMENT

## DESCRIPTION:

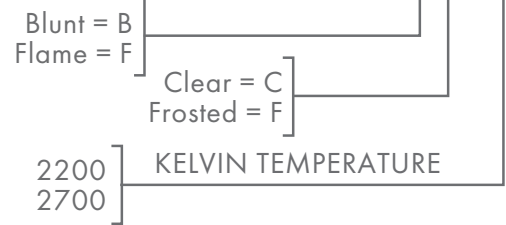
The Brilliance LED Edge Filament lamps are a decorative light source in 110-130 VAC. These 2700K lamps with 95 CRI give the effect of an original Edison lamp. These are great for indoor chandeliers and anywhere a warm light source is needed.

## FEATURES:

- Replaces 40W Incandescent
- UL Listed in USA and Canada
- Flame tip and Blunt tip styles
- Clear or frosted omni-directional light source
- Elegant exposed filament design
- Dimmable
- UL & FCC compliant



PART NUMBER: CAN FIL EDGE X X XXXX



Wattage	3.5
Lumens	275
Kelvin Temperature	2200, 2700
Operating Range	110-130 VAC
CRI	95
IP	64
Lamp Life (hours)	30,000
Warranty (years)	3



# PHOTOMETRICS

MR-8 2700K 15° CANDLE POWER= 491.27		
Distance		Foot Candles
2 ft	6"	122.82
4 ft	1' 1"	30.70
6 ft	1' 7"	13.65
8 ft	2' 1"	7.68
10 ft	2' 8"	4.91
15 ft	3' 11"	2.18
20 ft	5' 3"	1.23
30ft	7' 11"	0.55
40 ft	10' 6"	0.31
50 ft	13' 2"	0.20

MR-8 2700K 30° CANDLE POWER= 263.11		
Distance		Foot Candles
2 ft	1' 1"	65.78
4 ft	2' 2"	16.44
6 ft	3' 3"	7.31
8 ft	4' 3"	4.11
10 ft	5' 4"	2.63
15 ft	8'	1.17
20 ft	10' 9"	0.66
30ft	16' 1"	0.29
40 ft	21' 5"	0.16
50 ft	26' 10"	0.11

MR-8 2700K 60° CANDLE POWER= 76.9		
Distance		Foot Candles
2 ft	2' 4"	19.23
4 ft	4' 8"	4.81
6 ft	6' 11"	2.14
8 ft	9' 3"	1.20
10 ft	11' 6"	0.77
15 ft	17' 4"	0.34
20 ft	23' 1"	0.19
30ft	37' 7"	0.09
40 ft	46' 2"	0.05
50 ft	57' 8"	0.03

MR-8 2700K 120° CANDLE POWER= 41.45		
Distance		Foot Candles
2 ft	6' 11"	10.36
4 ft	13' 10"	2.59
6 ft	20' 9"	1.15
8 ft	27' 9"	0.65
10 ft	34' 8"	0.41
15 ft	52'	0.18
20 ft	69' 3"	0.10
30ft	103' 11"	0.05
40 ft	138' 7"	0.03
50 ft	173' 2"	0.02

MR/AR-11 2700K 15° CANDLE POWER= 914.21		
Distance		Foot Candles
2 ft	6"	228.55
4 ft	1' 1"	57.14
6 ft	1' 7"	25.39
8 ft	2' 1"	14.28
10 ft	2' 8"	9.14
15 ft	3' 11"	4.06
20 ft	5' 3"	2.29
30ft	7' 11"	1.02
40 ft	10' 6"	0.57
50 ft	13' 2"	0.37

MR/AR-11 2700K 30° CANDLE POWER= 274.57		
Distance		Foot Candles
2 ft	1' 1"	68.64
4 ft	2' 2"	17.16
6 ft	3' 3"	7.63
8 ft	4' 3"	4.29
10 ft	5' 4"	2.75
15 ft	8'	1.22
20 ft	10' 9"	0.69
30ft	16' 1"	0.31
40 ft	21' 5"	0.17
50 ft	26' 10"	0.11

MR/AR-11 2700K 60° CANDLE POWER= 114.1		
Distance		Foot Candles
2 ft	2' 4"	28.53
4 ft	4' 8"	7.13
6 ft	6' 11"	3.17
8 ft	9' 3"	1.78
10 ft	11' 6"	1.14
15 ft	17' 4"	0.51
20 ft	23' 1"	0.29
30ft	37' 7"	0.13
40 ft	46' 2"	0.07
50 ft	57' 8"	0.05

MR-11 2700K 120° CANDLE POWER= 60.68		
Distance		Foot Candles
2 ft	6' 11"	15.17
4 ft	13' 10"	3.79
6 ft	20' 9"	1.69
8 ft	27' 9"	0.95
10 ft	34' 8"	0.61
15 ft	52'	0.27
20 ft	69' 3"	0.15
30ft	103' 11"	0.07
40 ft	138' 7"	0.04
50 ft	173' 2"	0.02

MR-16 2700K 15° 4W CANDLE POWER= 1877.87		
Distance		Foot Candles
2 ft	6"	469.47
4 ft	1' 1"	117.37
6 ft	1' 7"	52.16
8 ft	2' 1"	29.34
10 ft	2' 8"	18.78
15 ft	3' 11"	8.35
20 ft	5' 3"	4.69
30ft	7' 11"	2.09
40 ft	10' 6"	1.17
50 ft	13' 2"	0.75

MR-16 2700K 30° 4W CANDLE POWER= 692		
Distance		Foot Candles
2 ft	1' 1"	173.00
4 ft	2' 2"	43.25
6 ft	3' 3"	19.22
8 ft	4' 3"	10.81
10 ft	5' 4"	6.92
15 ft	8'	3.08
20 ft	10' 9"	1.73
30ft	16' 1"	0.77
40 ft	21' 5"	0.43
50 ft	26' 10"	0.28

MR-16 2700K 60° 4W CANDLE POWER= 210		
Distance		Foot Candles
2 ft	2' 4"	52.50
4 ft	4' 8"	13.13
6 ft	6' 11"	5.83
8 ft	9' 3"	3.28
10 ft	11' 6"	2.10
15 ft	17' 4"	0.93
20 ft	23' 1"	0.53
30ft	37' 7"	0.23
40 ft	46' 2"	0.13
50 ft	57' 8"	0.08

MR-16 2700K 120° 4W CANDLE POWER=84		
Distance		Foot Candles
2 ft	6' 11"	21.00
4 ft	13' 10"	5.25
6 ft	20' 9"	2.33
8 ft	27' 9"	1.31
10 ft	34' 8"	0.84
15 ft	52'	0.37
20 ft	69' 3"	0.21
30ft	103' 11"	0.09
40 ft	138' 7"	0.05
50 ft	173' 2"	0.03

# PHOTOMETRICS

MR-16 2700K 15° 5W CANDLE POWER= 1920.58		
Distance	Foot Candles	
2 ft	6"	480.15
4 ft	1' 1"	120.04
6 ft	1' 7"	53.35
8 ft	2' 1"	30.01
10 ft	2' 8"	19.21
15 ft	3' 11"	8.54
20 ft	5' 3"	4.80
30ft	7' 11"	2.13
40 ft	10' 6"	1.20
50 ft	13' 2"	0.77

MR-16 2700K 30° 5W CANDLE POWER= 738.59		
Distance	Foot Candles	
2 ft	1' 1"	184.65
4 ft	2' 2"	46.16
6 ft	3' 3"	53.35
8 ft	4' 3"	11.54
10 ft	5' 4"	7.39
15 ft	8'	3.28
20 ft	10' 9"	1.85
30ft	16' 1"	0.82
40 ft	21' 5"	0.46
50 ft	26' 10"	0.30

MR-16 2700K 60° 5W CANDLE POWER= 245.86		
Distance	Foot Candles	
2 ft	2' 4"	61.47
4 ft	4' 8"	15.37
6 ft	6' 11"	6.83
8 ft	9' 3"	3.84
10 ft	11' 6"	2.46
15 ft	17' 4"	1.09
20 ft	23' 1"	0.61
30ft	37' 7"	0.27
40 ft	46' 2"	0.15
50 ft	57' 8"	0.10

MR-16 2700K 120° 5W CANDLE POWER= 93		
Distance	Foot Candles	
2 ft	6' 11"	23.25
4 ft	13' 10"	5.81
6 ft	20' 9"	2.58
8 ft	27' 9"	1.45
10 ft	34' 8"	0.93
15 ft	52'	0.41
20 ft	69' 3"	0.23
30ft	103' 11"	0.10
40 ft	138' 7"	0.06
50 ft	173' 2"	0.04

MR-16 2700K 15° 7W CANDLE POWER= 1963		
Distance	Foot Candles	
2 ft	6"	490.75
4 ft	1' 1"	122.69
6 ft	1' 7"	54.53
8 ft	2' 1"	30.67
10 ft	2' 8"	19.63
15 ft	3' 11"	8.72
20 ft	5' 3"	4.91
30ft	7' 11"	2.18
40 ft	10' 6"	1.23
50 ft	13' 2"	0.79

MR-16 2700K 30° 7W CANDLE POWER= 784		
Distance	Foot Candles	
2 ft	1' 1"	196.00
4 ft	2' 2"	49.00
6 ft	3' 3"	21.78
8 ft	4' 3"	12.25
10 ft	5' 4"	7.84
15 ft	8'	3.48
20 ft	10' 9"	1.96
30ft	16' 1"	0.87
40 ft	21' 5"	0.49
50 ft	26' 10"	0.31

MR-16 2700K 60° 7W CANDLE POWER= 366		
Distance	Foot Candles	
2 ft	2' 4"	91.50
4 ft	4' 8"	22.88
6 ft	6' 11"	10.17
8 ft	9' 3"	5.72
10 ft	11' 6"	3.66
15 ft	17' 4"	1.63
20 ft	23' 1"	0.92
30ft	37' 7"	0.41
40 ft	46' 2"	0.23
50 ft	57' 8"	0.15

MR-16 2700K 120° 7W CANDLE POWER= 163		
Distance	Foot Candles	
2 ft	6' 11"	40.75
4 ft	13' 10"	10.19
6 ft	20' 9"	4.53
8 ft	27' 9"	2.55
10 ft	34' 8"	1.63
15 ft	52'	0.72
20 ft	69' 3"	0.41
30ft	103' 11"	0.18
40 ft	138' 7"	0.10
50 ft	173' 2"	0.07

MR-16 EDGE 2700K 15° 7W CANDLE POWER= 1136.98		
Distance	Foot Candles	
2 ft	6"	284.25
4 ft	1' 1"	71.06
6 ft	1' 7"	31.58
8 ft	2' 1"	17.77
10 ft	2' 8"	11.37
15 ft	3' 11"	5.05
20 ft	5' 3"	2.84
30ft	7' 11"	1.26
40 ft	10' 6"	0.71
50 ft	13' 2"	0.45

MR-16 EDGE 2700K 30° 7W CANDLE POWER= 834.62		
Distance	Foot Candles	
2 ft	1' 1"	208.66
4 ft	2' 2"	52.16
6 ft	3' 3"	23.18
8 ft	4' 3"	13.04
10 ft	5' 4"	8.35
15 ft	8'	3.71
20 ft	10' 9"	2.09
30ft	16' 1"	0.93
40 ft	21' 5"	0.52
50 ft	26' 10"	0.33

MR-16 EDGE 3000K 15° 7W CANDLE POWER= 1629.87		
Distance	Foot Candles	
2 ft	6"	407.47
4 ft	1' 1"	101.87
6 ft	1' 7"	45.27
8 ft	2' 1"	25.47
10 ft	2' 8"	16.30
15 ft	3' 11"	7.24
20 ft	5' 3"	4.07
30ft	7' 11"	1.81
40 ft	10' 6"	1.02
50 ft	13' 2"	0.65

MR-16 EDGE 3000K 30° 7W CANDLE POWER= 1183.26		
Distance	Foot Candles	
2 ft	1' 1"	295.82
4 ft	2' 2"	73.95
6 ft	3' 3"	32.87
8 ft	4' 3"	18.49
10 ft	5' 4"	11.83
15 ft	8'	5.26
20 ft	10' 9"	2.96
30ft	16' 1"	1.31
40 ft	21' 5"	0.74
50 ft	26' 10"	0.47

# PHOTOMETRICS

**PAR-20 2700K 25° 7W  
CANDLE POWER= 886.14**

Distance		Foot Candles
2 ft	5"	221.54
4 ft	1' 9"	155.38
6 ft	2' 7"	24.62
8 ft	3' 6"	13.85
10 ft	4' 5"	8.86
15 ft	6' 7"	3.94
20 ft	8' 10"	2.22
30ft	13' 3"	0.98
40 ft	17' 8"	0.55
50 ft	22' 2"	0.35

**PAR-20 2700K 40° 7W  
CANDLE POWER= 460.25**

Distance		Foot Candles
2 ft	1' 5"	115.06
4 ft	2' 10"	28.77
6 ft	4' 4"	12.78
8 ft	5' 9"	7.19
10 ft	7' 3"	4.61
15 ft	10' 10"	2.05
20 ft	14' 6"	1.15
30ft	21' 10"	0.51
40 ft	29' 1"	0.29
50 ft	36' 4"	0.18

**PAR-20 3000K 25° 7W  
CANDLE POWER= 1127.24**

Distance		Foot Candles
2 ft	5"	281.81
4 ft	1' 9"	70.45
6 ft	2' 7"	31.31
8 ft	3' 6"	17.61
10 ft	4' 5"	11.27
15 ft	6' 7"	5.01
20 ft	8' 10"	2.82
30ft	13' 3"	1.25
40 ft	17' 8"	0.70
50 ft	22' 2"	0.45

**PAR-20 3000K 40° 7W  
CANDLE POWER= 558.57**

Distance		Foot Candles
2 ft	1' 5"	139.64
4 ft	2' 10"	34.91
6 ft	4' 4"	15.51
8 ft	5' 9"	8.73
10 ft	7' 3"	5.59
15 ft	10' 10"	2.48
20 ft	14' 6"	1.40
30ft	21' 10"	0.62
40 ft	29' 1"	0.35
50 ft	36' 4"	0.22

**PAR-20 5700K 25° 7W  
CANDLE POWER= 1335.83**

Distance		Foot Candles
2 ft	5"	333.96
4 ft	1' 9"	83.49
6 ft	2' 7"	37.11
8 ft	3' 6"	20.87
10 ft	4' 5"	13.36
15 ft	6' 7"	5.94
20 ft	8' 10"	3.34
30ft	13' 3"	1.48
40 ft	17' 8"	0.83
50 ft	22' 2"	0.53

**PAR-20 5700K 40° 7W  
CANDLE POWER= 646.54**

Distance		Foot Candles
2 ft	1' 5"	161.64
4 ft	2' 10"	40.41
6 ft	4' 4"	17.96
8 ft	5' 9"	10.10
10 ft	7' 3"	6.47
15 ft	10' 10"	2.87
20 ft	14' 6"	1.62
30ft	21' 10"	0.72
40 ft	29' 1"	0.40
50 ft	36' 4"	0.26

**PAR-30 2700K 25° 12W  
CANDLE POWER= 1094.61**

Distance		Foot Candles
2 ft	5"	273.65
4 ft	1' 9"	68.41
6 ft	2' 7"	30.41
8 ft	3' 6"	17.10
10 ft	4' 5"	10.95
15 ft	6' 7"	4.86
20 ft	8' 10"	2.74
30ft	13' 3"	1.22
40 ft	17' 8"	0.68
50 ft	22' 2"	0.44

**PAR-30 2700K 40° 12W  
CANDLE POWER= 594.71**

Distance		Foot Candles
2 ft	1' 5"	148.68
4 ft	2' 10"	37.17
6 ft	4' 4"	16.52
8 ft	5' 9"	9.29
10 ft	7' 3"	5.95
15 ft	10' 10"	2.64
20 ft	14' 6"	1.49
30ft	21' 10"	0.66
40 ft	29' 1"	0.37
50 ft	36' 4"	0.24

**PAR-30 3000K 25° 12W  
CANDLE POWER= 1466.69**

Distance		Foot Candles
2 ft	5"	366.67
4 ft	1' 9"	91.67
6 ft	2' 7"	40.74
8 ft	3' 6"	22.92
10 ft	4' 5"	14.67
15 ft	6' 7"	6.52
20 ft	8' 10"	3.67
30ft	13' 3"	1.63
40 ft	17' 8"	0.92
50 ft	22' 2"	0.59

**PAR-30 3000K 40° 12W  
CANDLE POWER= 926.70**

Distance		Foot Candles
2 ft	1' 5"	231.68
4 ft	2' 10"	57.92
6 ft	4' 4"	25.74
8 ft	5' 9"	14.48
10 ft	7' 3"	9.27
15 ft	10' 10"	4.12
20 ft	14' 6"	2.32
30ft	21' 10"	1.03
40 ft	29' 1"	0.58
50 ft	36' 4"	0.37

**PAR-30 5700K 25° 12W  
CANDLE POWER= 1569.09**

Distance		Foot Candles
2 ft	5"	392.27
4 ft	1' 9"	98.07
6 ft	2' 7"	43.59
8 ft	3' 6"	24.52
10 ft	4' 5"	15.69
15 ft	6' 7"	6.97
20 ft	8' 10"	3.92
30ft	13' 3"	1.74
40 ft	17' 8"	0.98
50 ft	22' 2"	0.63

**PAR-30 5700K 40° 12W  
CANDLE POWER= 1078.21**

Distance		Foot Candles
2 ft	1' 5"	269.55
4 ft	2' 10"	67.39
6 ft	4' 4"	29.95
8 ft	5' 9"	16.85
10 ft	7' 3"	10.78
15 ft	10' 10"	4.79
20 ft	14' 6"	2.71
30ft	21' 10"	1.20
40 ft	29' 1"	0.67
50 ft	36' 4"	0.43

# PHOTOMETRICS

**PAR-36 2700K 15° 6W  
CANDLE POWER= 3058.27**

Distance		Foot Candles
2 ft	6"	764.57
4 ft	1' 1"	191.14
6 ft	1' 7"	84.95
8 ft	2' 1"	47.79
10 ft	2' 8"	30.58
15 ft	3' 11"	13.59
20 ft	5' 3"	7.65
30ft	7' 11"	3.40
40 ft	10' 6"	1.91
50 ft	13' 2"	1.22

**PAR-36 2700K 30° 6W  
CANDLE POWER= 937.23**

Distance		Foot Candles
2 ft	1' 1"	234.31
4 ft	2' 2"	58.58
6 ft	3' 3"	26.03
8 ft	4' 3"	14.64
10 ft	5' 4"	9.37
15 ft	8'	4.17
20 ft	10' 9"	2.34
30ft	16' 1"	1.04
40 ft	21' 5"	0.59
50 ft	26' 10"	0.37

**PAR-36 2700K 60° 6W  
CANDLE POWER= 560.19**

Distance		Foot Candles
2 ft	2' 4"	140.05
4 ft	4' 8"	35.01
6 ft	6' 11"	15.56
8 ft	9' 3"	8.75
10 ft	11' 6"	5.60
15 ft	17' 4"	2.49
20 ft	23' 1"	1.40
30ft	37' 7"	0.62
40 ft	46' 2"	0.35
50 ft	57' 8"	0.22

**PAR-36 2700K 15° 9W  
CANDLE POWER= 5490.68**

Distance		Foot Candles
2 ft	6"	1372.67
4 ft	1' 1"	343.17
6 ft	1' 7"	152.52
8 ft	2' 1"	85.79
10 ft	2' 8"	54.91
15 ft	3' 11"	24.40
20 ft	5' 3"	13.73
30ft	7' 11"	6.10
40 ft	10' 6"	3.43
50 ft	13' 2"	2.20

**PAR-36 2700K 30° 9W  
CANDLE POWER= 1253.65**

Distance		Foot Candles
2 ft	1' 1"	313.41
4 ft	2' 2"	78.35
6 ft	3' 3"	34.82
8 ft	4' 3"	19.59
10 ft	5' 4"	12.54
15 ft	8'	5.57
20 ft	10' 9"	3.13
30ft	16' 1"	1.39
40 ft	21' 5"	0.78
50 ft	26' 10"	0.50

**PAR-36 2700K 60° 9W  
CANDLE POWER= 701.51**

Distance		Foot Candles
2 ft	2' 4"	175.38
4 ft	4' 8"	43.84
6 ft	6' 11"	19.49
8 ft	9' 3"	10.96
10 ft	11' 6"	7.02
15 ft	17' 4"	3.12
20 ft	23' 1"	1.75
30ft	37' 7"	0.78
40 ft	46' 2"	0.44
50 ft	57' 8"	0.28

**PAR-36 2700K 15° 12W  
CANDLE POWER= 10328.0**

Distance		Foot Candles
2 ft	6"	2582.0
4 ft	1' 1"	645.5
6 ft	1' 7"	286.89
8 ft	2' 1"	161.38
10 ft	2' 8"	103.28
15 ft	3' 11"	45.9
20 ft	5' 3"	25.82
30ft	7' 11"	11.48
40 ft	10' 6"	6.46
50 ft	13' 2"	4.13

**PAR-36 2700K 30° 12W  
CANDLE POWER= 2735.81**

Distance		Foot Candles
2 ft	1' 1"	683.95
4 ft	2' 2"	170.99
6 ft	3' 3"	75.99
8 ft	4' 3"	42.75
10 ft	5' 4"	27.36
15 ft	8'	12.16
20 ft	10' 9"	6.84
30ft	16' 1"	3.04
40 ft	21' 5"	1.71
50 ft	26' 10"	1.09

**PAR-36 2700K 60° 12W  
CANDLE POWER= 919.97**

Distance		Foot Candles
2 ft	2' 4"	229.99
4 ft	4' 8"	57.50
6 ft	6' 11"	25.55
8 ft	9' 3"	14.37
10 ft	11' 6"	9.20
15 ft	17' 4"	4.09
20 ft	23' 1"	2.30
30ft	37' 7"	1.02
40 ft	46' 2"	0.57
50 ft	57' 8"	0.37

**PAR-38 2700K 25° 17W  
CANDLE POWER= 1468.5**

Distance		Foot Candles
2 ft	5"	367.13
4 ft	1' 9"	91.78
6 ft	2' 7"	40.79
8 ft	3' 6"	22.95
10 ft	4' 5"	14.69
15 ft	6' 7"	6.53
20 ft	8' 10"	3.67
30ft	13' 3"	1.63
40 ft	17' 8"	0.92
50 ft	22' 2"	0.59

**PAR-38 3000K 25° 17W  
CANDLE POWER= 2313.89**

Distance		Foot Candles
2 ft	5"	578.47
4 ft	1' 9"	144.62
6 ft	2' 7"	64.27
8 ft	3' 6"	36.15
10 ft	4' 5"	23.14
15 ft	6' 7"	10.28
20 ft	8' 10"	5.78
30ft	13' 3"	2.57
40 ft	17' 8"	1.45
50 ft	22' 2"	0.93

**PAR-38 5700K 25° 17W  
CANDLE POWER= 2964.88**

Distance		Foot Candles
2 ft	5"	741.22
4 ft	1' 9"	185.31
6 ft	2' 7"	82.36
8 ft	3' 6"	46.33
10 ft	4' 5"	29.65
15 ft	6' 7"	13.18
20 ft	8' 10"	7.41
30ft	13' 3"	3.29
40 ft	17' 8"	1.85
50 ft	22' 2"	1.19

# PHOTOMETRICS

PAR-38 2700K 40° 17W CANDLE POWER= 868.8		
Distance		Foot Candles
2 ft	1' 5"	217.20
4 ft	2' 10"	54.30
6 ft	4' 4"	24.13
8 ft	5' 9"	13.58
10 ft	7' 3"	8.69
15 ft	10' 10"	3.86
20 ft	14' 6"	2.17
30ft	21' 10"	0.97
40 ft	29' 1"	0.54
50 ft	36' 4"	0.35

PAR-38 3000K 40° 17W CANDLE POWER= 1126.77		
Distance		Foot Candles
2 ft	1' 5"	281.69
4 ft	2' 10"	70.42
6 ft	4' 4"	31.31
8 ft	5' 9"	17.61
10 ft	7' 3"	11.27
15 ft	10' 10"	5.01
20 ft	14' 6"	2.82
30ft	21' 10"	1.25
40 ft	29' 1"	0.70
50 ft	36' 4"	0.45

PAR-38 5700K 40° 17W CANDLE POWER= 1349.93		
Distance		Foot Candles
2 ft	1' 5"	337.48
4 ft	2' 10"	84.37
6 ft	4' 4"	37.51
8 ft	5' 9"	21.09
10 ft	7' 3"	13.51
15 ft	10' 10"	6.00
20 ft	14' 6"	3.37
30ft	21' 10"	1.51
40 ft	29' 1"	0.84
50 ft	36' 4"	0.54

# VOLT AMPS

Description	Watt	Power Factor	Volt Amps	Total Draw on A/C System
MICRO G-4	1	0.79	0.79	1.79
MICRO T-5	1	0.79	0.79	1.79
BEACON T-5	2	0.61	1.22	3.22
BEACON SCB	2	0.61	1.22	3.22
BEACON S-8	2	0.61	1.22	3.22
DYNASTY G-4	1.5	0.61	0.92	2.42
DYNASTY SCB	1.5	0.61	0.92	2.42
MR-8	1.5	0.6	0.9	1.3
MR-11	2	0.6	1.2	3.3
AR-11	2	0.6	1.2	3.3
MR-16	4	0.57	2.3	7.1
MR-16	5	0.58	2.9	8.6
MR-16	7	0.6	4.2	11.6
PAR-36	6	0.62	4.3	9.7
PAR-36	9	0.63	5.7	14.3
PAR-36	12	0.63	7.6	19
S-8	2	0.6	1.2	3.3
S-14 12 VAC	4	0.62	6.5	6.5
S-14 120 VAC	4	0.9	4.4	4.4
PAR-20	7	0.93	6.5	7.5
PAR-30	12	0.95	11.4	12.6
PAR-38	17	0.95	16.2	17.9
STRIPLIGHT	0.6	0.94	0.56	1.16

**LAMP**                      **PART NUMBER**                      **UPC**

<b>Micro G4 Bipin</b>	BRI BIPIN MICRO G4 2700	035127475202
	BRI BIPIN MICRO G4 3000	035127477688
	BRI BIPIN MICRO G4 5700	700118610749
	BRI BIPIN MICRO G4 RED	035127477275
	BRI BIPIN MICRO G4 GREEN	035127477282
	BRI BIPIN MICRO G4 BLUE	035127477299
	BRI BIPIN MICRO G4 AMBER	035127477305
<b>Micro T5 Wedge</b>	BRI MICRO T5 2700	035127477176
<b>Beacon G4</b>	Beacon G4 2700	035127476827
	Beacon G4 3000	035127476834
	Beacon G4 5700	035127476841
<b>Beacon T5</b>	Beacon T5 2700	035127476964
	Beacon T5 3000	035127475561
	Beacon T5 5700	035127476971
<b>Beacon SCB</b>	Beacon SCB 2700	035127476933
	Beacon SCB 3000	035127476940
	Beacon SCB 5700	035127476957
<b>Beacon DCB</b>	Beacon DCB 2700	035127477619
	Beacon DCB 3000	035127477664
	Beacon DCB 5700	700118610756
<b>Beacon S8</b>	Beacon S8 2700	035127476858
	Beacon S8 3000	035127476919
	Beacon S8 5700	035127476926
<b>G4 Round Wafer</b>	BIPIN G4 RND WAFER	035127475332
<b>G4 Rectangle Wafer</b>	BIPIN G4 REC WAFER	035127475325
<b>MR-8</b>	MR8 1.5 2200 15	035127473000
	MR8 1.5 2700 15	035127473017
	MR8 1.5 3000 15	035127473024
	MR8 1.5 5700 15	035127473031
	MR8 1.5 RED 15	035127473048
	MR8 1.5 GREEN 15	035127473055
	MR8 1.5 BLUE 15	035127473062
	MR8 1.5 AMBER 15	035127473079
	MR8 1.5 2200 30	035127473086
	MR8 1.5 2700 30	035127473093
	MR8 1.5 3000 30	035127473109
	MR8 1.5 5700 30	035127473116
	MR8 1.5 RED 30	035127473123
	MR8 1.5 GREEN 30	035127473130
	MR8 1.5 BLUE 30	035127473147
	MR8 1.5 AMBER 30	035127473154
	MR8 1.5 2200 60	035127473161
	MR8 1.5 2700 60	035127473178
	MR8 1.5 3000 60	035127473185
	MR8 1.5 5700 60	035127473192
	MR8 1.5 RED 60	035127473208
	MR8 1.5 GREEN 60	035127473215

<b>MR-11</b>	MR8 1.5 BLUE 60	035127473222
	MR8 1.5 AMBER 60	035127473239
	MR8 1.5 2700 120	035127476032
	MR8 1.5 3000 120	035127476377
	MR8 1.5 5700 120	035127476384
	MR11 2 2200 15	035127473246
	MR11 2 2700 15	035127473253
	MR11 2 3000 15	035127473260
	MR11 2 5700 15	035127473277
	MR11 2 RED 15	035127473284
	MR11 2 GREEN 15	035127473291
	MR11 2 BLUE 15	035127473307
	MR11 2 AMBER 15	035127473314
	MR11 2 2200 30	035127473321
	MR11 2 2700 30	035127473338
	MR11 2 3000 30	035127473345
	MR11 2 5700 30	035127473352
	MR11 2 RED 30	035127473369
	MR11 2 GREEN 30	035127473376
	MR11 2 BLUE 30	035127473383
MR11 2 AMBER 30	035127473390	
MR11 2 2200 60	035127473406	
MR11 2 2700 60	035127473413	
MR11 2 3000 60	035127473420	
MR11 2 5700 60	035127473437	
MR11 2 RED 60	035127473444	
MR11 2 GREEN 60	035127473451	
MR11 2 BLUE 60	035127473468	
MR11 2 AMBER 60	035127473475	
MR11 2 2700 120	035127476025	
MR11 2 3000 120	035127476391	
MR11 2 5700 120	035127476407	
<b>AR-11</b>	AR11 2 2200 15	035127472768
	AR11 2 2700 15	035127472775
	AR11 2 3000 15	035127472782
	AR11 2 5700 15	035127472799
	AR11 2 RED 15	035127472805
	AR11 2 GREEN 15	035127472812
	AR11 2 BLUE 15	035127472829
	AR11 2 AMBER 15	035127472836
	AR11 2 2200 30	035127472843
	AR11 2 2700 30	035127472850
	AR11 2 3000 30	035127472867
	AR11 2 5700 30	035127472874
	AR11 2 RED 30	035127472881
	AR11 2 GREEN 30	035127472898
	AR11 2 BLUE 30	035127472904

# UPC INDEX

	AR11 2 AMBER 30	035127472911
	AR11 2 2200 60	035127472928
	AR11 2 2700 60	035127472935
	AR11 2 3000 60	035127472942
	AR11 2 5700 60	035127472959
	AR11 2 RED 60	035127472966
	AR11 2 GREEN 60	035127472973
	AR11 2 BLUE 60	035127472980
	AR11 2 AMBER 60	035127472997
<b>MR-16</b>	MR16 4 2200 15	035127473482
<b>4 watt</b>	MR16 4 2700 15	035127473499
	MR16 4 3000 15	035127473505
	MR16 4 5700 15	035127473512
	MR16 4 RED 15	035127473529
	MR16 4 GREEN 15	035127473536
	MR16 4 BLUE 15	035127473543
	MR16 4 AMBER 15	035127473550
	MR16 4 2200 30	035127473567
	MR16 4 2700 30	035127473574
	MR16 4 3000 30	035127473581
	MR16 4 5700 30	035127473598
	MR16 4 RED 30	035127473604
	MR16 4 GREEN 30	035127473611
	MR16 4 BLUE 30	035127473628
	MR16 4 AMBER 30	035127473635
	MR16 4 2200 60	035127473642
	MR16 4 2700 60	035127473659
	MR16 4 3000 60	035127473666
	MR16 4 5700 60	035127473673
	MR16 4 RED 60	035127473680
	MR16 4 GREEN 60	035127473697
	MR16 4 BLUE 60	035127473703
	MR16 4 AMBER 60	035127473710
	MR16 4 2700 120	035127474090
	MR16 4 3000 120	035127474083
	MR16 4 5700 120	035127474038
<b>MR-16</b>	MR16 5 2200 15	035127473727
<b>5 watt</b>	MR16 5 2700 15	035127473734
	MR16 5 3000 15	035127473741
	MR16 5 5700 15	035127473758
	MR16 5 RED 15	035127473765
	MR16 5 GREEN 15	035127473772
	MR16 5 BLUE 15	035127473789
	MR16 5 AMBER 15	035127473796
	MR16 5 2200 30	035127473802
	MR16 5 2700 30	035127473819
	MR16 5 3000 30	035127473826
	MR16 5 5700 30	035127473833

	MR16 5 RED 30	035127473840
	MR16 5 GREEN 30	035127473857
	MR16 5 BLUE 30	035127473864
	MR16 5 AMBER 30	035127473871
	MR16 5 2200 60	035127473888
	MR16 5 2700 60	035127473895
	MR16 5 3000 60	035127473901
	MR16 5 5700 60	035127473918
	MR16 5 RED 60	035127473925
	MR16 5 GREEN 60	035127473932
	MR16 5 BLUE 60	035127473949
	MR16 5 AMBER 60	035127473956
	MR16 5 2700 120	035127474168
	MR16 5 3000 120	035127474113
	MR16 5 5700 120	035127474106
<b>MR-16</b>	MR16 7 2200 15	035127473963
<b>7 watt</b>	MR16 7 2700 15	035127473970
	MR16 7 3000 15	035127473987
	MR16 7 5700 15	035127473994
	MR16 7 2200 30	035127474045
	MR16 7 2700 30	035127474052
	MR16 7 3000 30	035127474069
	MR16 7 5700 30	035127474076
	MR16 7 2200 60	035127474120
	MR16 7 2700 60	035127474137
	MR16 7 3000 60	035127474144
	MR16 7 5700 60	035127474151
	MR16 7 2700 120	035127474199
	MR16 7 3000 120	035127474182
	MR16 7 5700 120	035127474175
<b>MR-16 ECOSTAR</b>	MR16 4 ECO 2700 15	035127476773
<b>4 watt</b>	MR16 4 ECO 3000 15	035127477749
	MR16 4 ECO 5700 15	035127476995
	MR16 4 ECO 2700 30	035127476766
	MR16 4 ECO 3000 30	035127477701
	MR16 4 ECO 5700 30	035127477008
	MR16 4 ECO 2700 60	035127476780
	MR16 4 ECO 3000 60	035127477756
	MR16 4 ECO 5700 60	035127477015
<b>MR-16 EDGE</b>	MR16 EDGE 7 2700 15	035127477084
<b>7 watt</b>	MR16 EDGE 7 3000 15	035127477091
	MR16 EDGE 7 2700 30	035127477107
	MR16 EDGE 7 3000 30	035127477114
	MR16 EDGE 7 2700 60	035127477725
	MR16 EDGE 7 3000 60	035127477732
<b>PAR-36</b>	PAR36 6 2200 15	035127474205
<b>6 watt</b>	PAR36 6 2700 15	035127474212
	PAR36 6 3000 15	035127474229

PAR36 6 5700 15	035127474236	
PAR36 6 RED 15	035127474243	
PAR36 6 GREEN 15	035127474250	
PAR36 6 BLUE 15	035127474267	
PAR36 6 AMBER 15	035127474274	
PAR36 6 2200 30	035127474281	
PAR36 6 2700 30	035127474298	
PAR36 6 3000 30	035127474304	
PAR36 6 5700 30	035127474311	
PAR36 6 RED 30	035127474328	
PAR36 6 GREEN 30	035127474335	
PAR36 6 BLUE 30	035127474342	
PAR36 6 AMBER 30	035127474359	
PAR36 6 2200 60	035127474366	
PAR36 6 2700 60	035127474373	
PAR36 6 3000 60	035127474380	
PAR36 6 5700 60	035127474397	
PAR36 6 RED 60	035127474403	
PAR36 6 GREEN 60	035127474410	
PAR36 6 BLUE 60	035127474427	
PAR36 6 AMBER 60	035127474434	
PAR36 6 2700 120	035127477459	
PAR36 6 3000 120	0351217477466	
<b>PAR-36</b>	PAR36 9 2200 15	035127474441
<b>9 watt</b>	PAR36 9 2700 15	035127474458
	PAR36 9 3000 15	035127474465
	PAR36 9 5700 15	035127474472
	PAR36 9 RED 15	035127474489
	PAR36 9 GREEN 15	035127474496
	PAR36 9 BLUE 15	035127474502
	PAR36 9 AMBER 15	035127474519
	PAR36 9 2200 30	035127474526
	PAR36 9 2700 30	035127474533
	PAR36 9 3000 30	035127474540
	PAR36 9 5700 30	035127474557
	PAR36 9 RED 30	035127474564
	PAR36 9 GREEN 30	035127474571
	PAR36 9 BLUE 30	035127474588
	PAR36 9 AMBER 30	035127474595
	PAR36 9 2200 60	035127474601
	PAR36 9 2700 60	035127474618
	PAR36 9 3000 60	035127474625
	PAR36 9 5700 60	035127474632
	PAR36 9 RED 60	035127474649
	PAR36 9 GREEN 60	035127474656
	PAR36 9 BLUE 60	035127474663
	PAR36 9 AMBER 60	035127474670
	PAR36 9 2700 120	03512477473

	PAR36 9 3000 120	035127477480
<b>PAR-36</b>	PAR36 12 2200 15	035127474687
<b>12 watt</b>	PAR36 12 2700 15	035127474694
	PAR36 12 3000 15	035127474700
	PAR36 12 5700 15	035127474717
	PAR36 12 2200 30	035127474762
	PAR36 12 2700 30	035127474779
	PAR36 12 3000 30	035127474786
	PAR36 12 5700 30	035127474793
	PAR36 12 2200 60	035127474847
	PAR36 12 2700 60	035127474854
	PAR36 12 3000 60	035127474861
	PAR36 12 5700 60	035127474878
	PAR36 12 2700 120	035127477497
	PAR36 12 3000 120	035127477503
<b>S14</b>	S14 12VAC 2700K	035127475745
	S14 12VAC 3000K	035127475752
	S14 12VAC 5000K	035127475783
<b>S14 EDGE</b>	S14 FIL EDGE 12VAC 2200	700118610671
	S14 FIL EDGE 12VAC 2700	700118610688
<b>Light Bar</b>	BRI LB LED3	035127475615
	BRI LB LED6	035127475622
	BRI LB LED9	035127475639
<b>LB Mounting Brackets</b>	BRI MB LED3	035127475653
	BRI MB LED6	035127475660
	BRI MB LED9	035127475677
<b>Light Bar Kits</b>	BRI LBMB LED3	035127475691
	BRI LBMB LED6	035127475707
	BRI LBMB LED9	035127475714
<b>Light Bar Shield</b>	LBS LED3 C	035127477374
	LBS LED3 SS	035127477381
	LBS LED6 C	035127477404
	LBS LED6 SS	035127477398
<b>ADAPTER</b>	ADAPTER DCB TO G4 BIPIN	BRI ACC-2
	ADAPTER SCB TO G4 BIPIN	BRI ACC-1
<b>Strip Light</b>	BRI SL3 2700	035127475554
	BRI SL3 5000	035127477121
	BRI SL3 RED	035127474885
	BRI SL3 GREEN	035127477145
	BRI SL3 BLUE	035127474908
	BRI SL3 CUSTOM 2700	999999999904
	BRI SL3 CUSTOM 5000	999999999905
	BRI SL3 CUSTOM RED	999999999906
	BRI SL3 CUSTOM GREEN	999999999907
	BRI SL3 CUSTOM BLUE	999999999908
	BRI SL3 CUT	999999999999
<b>Power Feed Kit</b>	BRI SL A-PF	035127475448
<b>"T" Power Feed Connector Kit</b>	BRI SL A-T	035127476087

# UPC INDEX

<b>Jumper Connector Kit</b>	BRI SL A-JC	035127476063
<b>90 Jumper Connector Kit</b>	BRI SL A-90	035127476988
<b>Double-Sided Connector Kit</b>	BRI SL A-DSC	035127475424
<b>End Cap Kit</b>	BRI SL A-EC	035127476070
<b>Clip &amp; Screw Kit</b>	BRI SL A-C&S	035127475431
<b>Stealth Connector Shield</b>	SL SCS	035127477671
	SL SCS w/ FACIA	035127477718
<b>Attachment Clip</b>	BRI SL A-AC	035127477541
<b>Channel (Gen 2)</b>	BRI SL A-C	035127477510
<b>Channel w/ Shield (Gen 2)</b>	BRI SL A-C2	035127477527
<b>Channel Diffuser</b>	BRI SL A-CD	035127477534
<b>AQUABEAM</b>	AQUABEAM 5 2700	035127477312
	AQUABEAM 5 3000	035127477329
	AQUABEAM 5 5700	035127477336
	AQUABEAM 10 2700	035127477343
	AQUABEAM 10 3000	035127477350
	AQUABEAM 10 5700	035127477367
<b>PAR16 EDGE</b>	PAR16 EDGE 5 2700 15	035127477558
	PAR16 EDGE 5 2700 30	035127477565
	PAR16 EDGE 5 2700 60	035127477572
	PAR16 EDGE 5 3000 15	035127477589
	PAR16 EDGE 5 3000 30	035127477596
	PAR16 EDGE 5 3000 60	035127477602
<b>PAR20</b>	PAR20 IOS 2700 25 BL	035127475769
	PAR20 IOS 3000 25 BL	035127475240
	PAR20 IOS 5700 25 BL	035127475257
	PAR20 IOS 2700 25 WH	035127475882
	PAR20 IOS 3000 25 WH	035127475417
	PAR20 IOS 5700 25 WH	035127475516
	PAR20 IOS 2700 40 BL	035127475776
	PAR20 IOS 3000 40 BL	035127475936
	PAR20 IOS 5700 40 BL	035127475943
	PAR20 IOS 2700 40 WH	035127475998
	PAR20 IOS 3000 40 WH	035127476001
	PAR20 IOS 5700 40 WH	035127476018
<b>PAR30</b>	PAR30 IOS 2700 25 BL	035127476728
	PAR30 IOS 3000 25 BL	035127475462
	PAR30 IOS 5700 25 BL	035127476179
	PAR30 IOS 2700 25 WH	035127476223
	PAR30 IOS 3000 25 WH	035127475455
	PAR30 IOS 5700 25 WH	035127476230
	PAR30 IOS 2700 40 BL	035127476735
	PAR30 IOS 3000 40 BL	035127476285
	PAR30 IOS 5700 40 BL	035127476292
	PAR30 IOS 2700 40 WH	035127476346
	PAR30 IOS 3000 40 WH	035127476353
	PAR30 IOS 5700 40 WH	035127476360

<b>PAR38</b>	PAR38 IOS 2700 25 BL	035127476742
	PAR38 IOS 3000 25 BL	035127475509
	PAR38 IOS 5700 25 BL	035127476131
	PAR38 IOS 2700 25 WH	035127476094
	PAR38 IOS 3000 25 WH	035127475493
	PAR38 IOS 5700 25 WH	035127476100
	PAR38 IOS 2700 40 BL	035127476759
	PAR38 IOS 3000 40 BL	035127476414
	PAR38 IOS 5700 40 BL	035127475486
	PAR38 IOS 2700 40 WH	035127476469
	PAR38 IOS 3000 40 WH	035127476476
	PAR38 IOS 5700 40 WH	035127475479
<b>G9 EDGE</b>	BRI G9 EDGE 120 2700	035127475738
<b>GU10 EDGE</b>	GU10 EDGE 2700 15	035127477411
	GU10 EDGE 2700 30	035127477428
	GU10 EDGE 2700 60	035127477435
	GU10 EDGE 2700 120	035127477442
<b>Candelabra</b>	BRI CAN LV 12 C 2200 2 F	035127475356
	BRI CAN LV 12 C 2700 2 F	035127475363
	BRI CAN LV 12 C 3000 2 F	035127475370
	BRI CAN LV 12 C 5700 2 F	035127475523
	BRI CAN LV 12 C 2700 4 B	035127474915
	BRI CAN LV 12 C 3000 4 B	035127474892
	BRI CAN 120 C 2200 2 F	035127475349
	BRI CAN 120 C 2700 2 F	035127476148
	BRI CAN 120 C 3000 2 F	035127476155
	BRI CAN 120 C 5700 2 F	035127476162
	BRI CAN 120 C 2700 4 B	035127474755
	BRI CAN 120 C 3000 4 B	035127474731
<b>Candelabra Adapter</b>	BRI LED CAN ADA	035127475400
<b>Candelabra Edge Filament</b>	CAN FIL EDGE B 2200 Clear	700118610701
	CAN FIL EDGE F 2200 Clear	700118610695
	CAN FIL EDGE B 2700 Clear	035127477206
	CAN FIL EDGE F 2700 Clear	035127477183
	CAN FIL EDGE F 2200 Frosted	700118610763
	CAN FIL EDGE F 2700 Frosted	700118610770
<b>A19 EDGE FILAMENT</b>	A19 FIL EDGE 2200	700118610725
	A19 FIL EDGE 2700	035127477152
<b>S14 EDGE FILAMENT</b>	S14 FIL EDGE 2200	700118610718
	S14 FIL EDGE 2700	035127477633
<b>S21 EDGE FILAMENT</b>	S21 FIL EDGE 2700	035127477657
<b>BRILLIANCE DIMMER</b>	12VAC DIMMER SWITCH	035127477626

Brilliance LED, LLC is committed to providing our customers with unparalleled quality and service. Your satisfaction is our goal. To this end, Brilliance LED, LLC warrants and guarantees the following:

If any product you purchase from Brilliance LED, LLC fails to perform according to specifications, we ask that you contact us immediately. If the product is found to contain defects of material or workmanship, your account will be credited or the product will be replaced at no charge to you. The corresponding credit memo must be used within 6 months. No cash refunds will be issued.

Notwithstanding the foregoing, Brilliance LED, LLC reserves the right to inspect any returned/exchanged product for defects.

**This warranty DOES NOT cover** abuse, cosmetic damage, or damage due to acts of God, misuse, negligence, or modification to any part of the Product. **This warranty DOES NOT cover** damage due to failure to follow directions regarding operation of the Product and also **DOES NOT** cover connection to improper power-supply (more than 24 volts), lightning strike or other power surge or any other primary side (line voltage) problem, or attempted repair by anyone other than a facility authorized by Brilliance LED, LLC to repair the product.

**This warranty DOES NOT cover water damage.** This warranty specifically disclaims any damage done to user equipment. In no event shall Brilliance LED, LLC be responsible for removal or re-installation of any product or for the expenses associated thereof. This warranty is given only to the original end user customer and may not be assigned or transferred to anyone else. It is the purchaser's obligation to retain proof of purchase documentation which shows the date of purchase. Brilliance LED, LLC will not warrant any defective product that has had its date of manufacture or other such pertinent information altered or removed.

Brilliance LED, LLC asks it's dealer network to take a common sense approach examining any faulty product and to use best judgment for replacement. Brilliance LED, LLC warrants to the purchaser that Brilliance LED Lamps will be free from defect in material and workmanship from the date of purchase for the following time periods:

- Brilliance LED Micro G4 - 3 years
- Brilliance LED Strip Lighting - 3 years
- Brilliance LED RGB Fixtures - 3 years
- Brilliance LED MR-16 Series - 5 years

**To submit a warranty claim visit [www.brillianceled.com/info](http://www.brillianceled.com/info) and click the "RGA FORM" button to download the Excel document, then send the completed warranty RGA forms to: [warranty@brillianceled.com](mailto:warranty@brillianceled.com)**

Warranty terms are subject to change without notice. Brilliance LED, LLC also reserves the right to modify these warranty terms in order to comply with policy or laws governing warranty issues in states or countries having specific remedies differing or additional to those described within this document.



For current **sales representative** contacts  
in your area, as well as department specific  
**corporate contacts** please visit:

[www.brillianceled.com/contact](http://www.brillianceled.com/contact)

For a list of **stores** near you that stock  
**Brilliance LED products** please visit:

[www.brillianceled.com/purchase](http://www.brillianceled.com/purchase)

7202 E. Cave Creek Rd  
Suite 3A Carefree, AZ 85377  
P.O. Box 2281 Carefree, AZ 85377

T. 800.867.2108

F. 480.575.0078

[www.brillianceled.com](http://www.brillianceled.com)

Please email product orders to:  
[orders@brillianceled.com](mailto:orders@brillianceled.com)

Photo courtesy of Lightform Lighting LLC  
Photographer: Carl Schult Digital Imagery