

# BALLAST SPECIFICATION

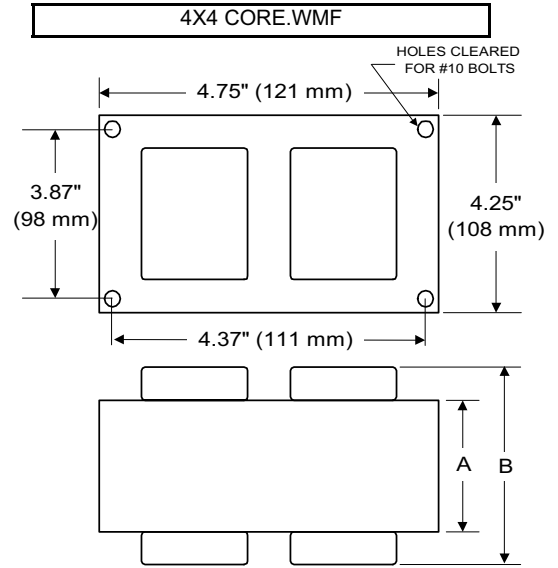
## 250W M138 / M153

### Pulse Start Metal Halide

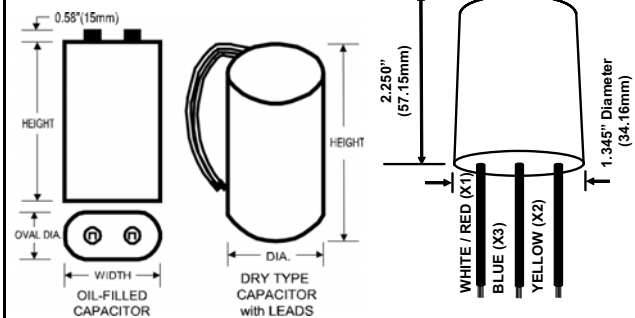
#### V90D8411

#### 60 Hz CWA

Input Volts	120	208	240	277
<b>Line Current ( Amps )</b>				
Operating	2.45	1.45	1.25	1.05
Open Circuit	1.80	1.10	0.90	0.80
Starting	1.75	1.00	0.90	0.75
<b>Recommended Fuse (Amps)</b>	7	4	4	3
<b>Regulation</b>				
Line Volts	±10%	±10%	±10%	±10%
Lamp Watts	±9%	±9%	±9%	±9%
<b>Temperature Ratings</b>				
Insulation Class	180 (H)	180 (H)	180 (H)	180 (H)
Coil Temperature Code	A	A	A	A
Benchtop Coil Rise	63.7	66.4	65.6	65.4
<b>Power Factor (Min) HPF</b>	90	90	90	90
<b>Input Watts</b>	284 W	284 W	284 W	284 W
<b>Efficiency</b>	88%	88%	88%	88%
<b>NOM. Open Circuit Voltage</b>	275	275	275	275
<b>Input Voltage At Lamp Dropout</b>	65	110	125	145
<b>Min Ambient Starting Temp</b>	-20°F/-30°C*	-20°F/-30°C*	-20°F/-30°C*	-20°F/-30°C*
<b>60 HZ TEST PROCEDURES</b>				
<b>High Potential Test (Volts)</b>				
1 Minute	1,600 V	1,600 V	1,600 V	1,600 V
1 Second	1,900 V	1,900 V	1,900 V	1,900 V
<b>Open Circuit Voltage Test (V)</b>	250 - 300	250 - 300	250 - 300	250 - 300
<b>Short Circuit Current Test (A)</b>				
Secondary Current	Min 2.30	2.30	2.30	2.30
	Max 2.85	2.85	2.85	2.85
Input Current	Min 1.35	0.80	0.65	0.60
	Max 2.05	1.20	1.00	0.90
<b>CORE and COIL Specifications</b>				
Dimension (A)	2.00 in	2.00 in	2.00 in	2.00 in
Dimension (B)	4.10 in	4.10 in	4.10 in	4.10 in
Weight	11.0 lb's	11.0 lb's	11.0 lb's	11.0 lb's
Lead Lengths	12 "	12 "	12 "	12 "
<b>Capacitor Requirement</b>				
Microfarads	16.0 uf	16.0 uf	16.0 uf	16.0 uf
Volts (Min)	370 V	370 V	370 V	370 V



<b>Capacitor:</b> ACB2010V / ACG328	<b>Ignitor:</b> BVS-041
Microfarads: 16.0 uf	16.0 uf
Volts (Max): 370 V	400 V
Case Temp (Max): 100 °C	100 °C
Height (Max): 3.19 in	3.74 in
Dia (Max): 1.97 in	1.80 in
Oval Width (Max): 2.97 in	
Case Temp (Max): 105 °C	
BTL Distance (Max): 2 ft	



**Ordering Information** Add Suffix for options

- C - With Oil-Filled Capacitor
- CB - With Oil-Filled Capacitor and Welded Bracket
- B - With Welded Bracket, no Capacitor
- K - Prewired, with Dry Capacitor and Bracket Kit
- D - With Dry Capacitor
- DB - With Dry Capacitor and Welded Bracket

\* -40°F/-40°C Min Ambient Starting Temp with Venture Lamp

Data is based upon tests performed by Venture Lighting in a controlled environment and is representative of relative performance. Actual performance can vary depending on operating conditions. Specifications are subject to change without notice.

**10/25/2010 Production** Coil material: primary Al and secondary Al

**Complies with the Energy Independence and Security Act of 2007 and California Title 20 Appliance Efficiency Regulations**



RoHS

